

bundlerack™

Product code: BR1

- » Easily store and transport large bundles of material.
- » Mesh base for carrying smaller items.
- » Organise material to optimise space on site.



Watch the BundleRack in action

Product features



Heavy-duty 6" castors



Working load limit



Collapsible



Stackable



No detachable parts



Built in handles

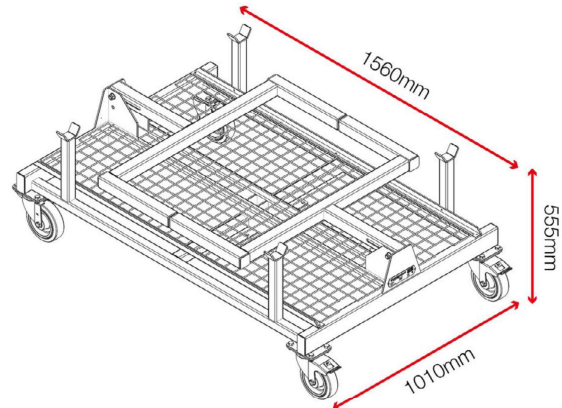


Suitable for site

Product specifications

Weight	79kg
Colour	Jet black: RAL 9005
Finished coating	Powder coated
Material & thickness	5mm & 3mm steel
How are castors fitted?	Castor plates
Assembly required?	Yes

Dimensions



Optional extras - Contact Armorgard to find out more



Linking kit PR-LK

