



cuttingstation[™]

Product code: SS7

- » A multi-purpose cutting platform, with an integrated secure cabinet.
- » Extendable support arms with four configurations.
- » Reduces noise and vibration, and contains sparks when cutting.



Watch the CuttingStation in action



Product features



5-lever deadlock



Power supply 110V



Light supply



Forklift skids



Heavy-duty 6" castors



Fire resistant

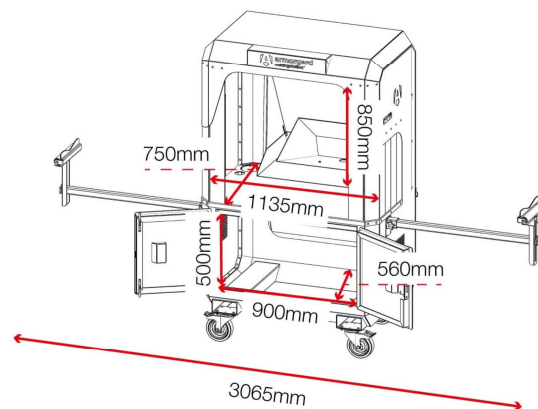
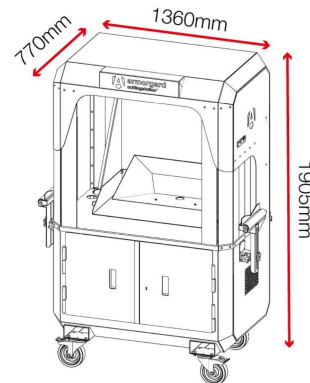


Suitable for site

Product specifications

Weight	175kg
Colour	Black grey: RAL 7021, Traffic red: RAL 3020
Finished coating	Powder coated
Material & thickness	1.5mm steel
Quantity of keys	2 keys
Does it have storage	Yes
How are castors fitted?	Quick-fix bolt on castor kit. Extra heavy-duty castors using Armorgard castor plates

Dimensions



Optional extras - Contact Armorgard to find out more



Crane lifting eyes CLEK



Clamp SS7C



cuttingstationTM xtract

Product code: **SS7X**

- » A multi-purpose cutting platform, with an integrated secure cabinet.
- » Extraction system helps to contain dust and respirable particulate.
- » Reduces noise and vibration, and contains sparks when cutting.

Product features



5-lever deadlock



Power supply
110V



Light supply



Forklift skids



Heavy-duty 6"
castors



Fire resistant

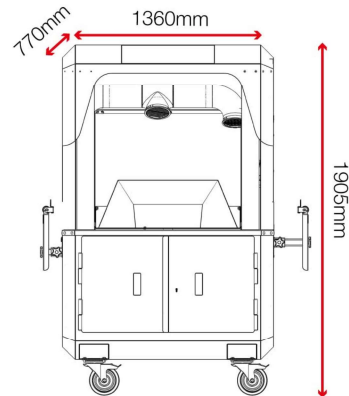


Suitable for site

Product specifications

Weight	200kg
Colour	Black grey: RAL 7021, Traffic red: RAL 3020
Finished coating	Powder coated and aluminium
Material & thickness	N/A steel and aluminium
Quantity of keys	2 keys
Does it have storage	Yes
How are castors fitted?	Quick-fix bolt on castor kit. Extra heavy-duty castors using Armorgard castor plates

Dimensions



Optional extras - Contact Armorgard to find out more



Crane lifting eyes CLEK



Clamp SS7C

