



# flambank™

**Product code: FB1**

- » Secure hazardous vault for storing hazardous goods safely.
- » Fully welded sump helps contain any leakages.
- » Ventilation allows airflow and helps prevent the build-up of fumes.



## Product features



2x 5-lever deadlock



Gas strut (300N)



COSHH compliant



Sump capacity 60L



Fire resistant



Lid safety stay

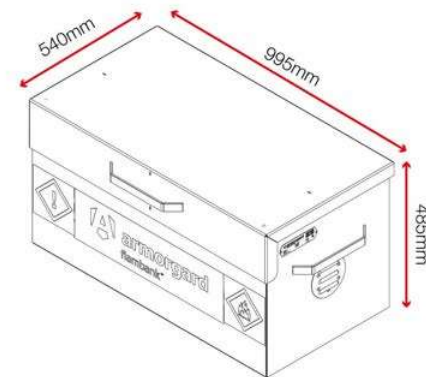


Safety signage

## Product specifications

Weight	46kg
Colour	Traffic red: RAL 3020
Suitable for	Outdoor storage of flammables or chemicals
Finished coating	Powder coated
Material & thickness	2mm and 3mm steel
Quantity of keys	2 keys
How are castors fitted?	Not applicable
Other sizes available	6 other sizes
Ventilation	Yes
Qty of shelves as standard	Not applicable

## Dimensions - External dimensions includes protrusions



## Related products - Contact Armorgard to find out more



FlamBank FB2



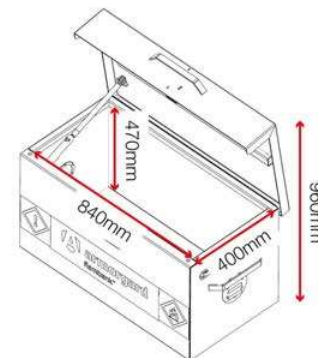
FlamBank FB21



TransBank TRB4



TransBank TRB6



**Disclaimer: all dimensions and weights are approximate**



# flambank™

Product code: **FB21**

- » Secure hazardous vault for storing hazardous goods safely.
- » Fully welded sump helps contain any leakages.
- » Ventilation allows airflow and helps prevent the build-up of fumes.



## Product features



2x 5-lever  
deadlock



Gas strut (300N)



Forklift skids



COSHH  
compliant



Sump capacity  
40L



Fire resistant



Lid safety stay

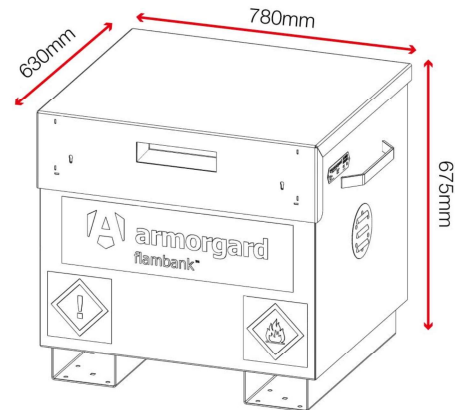


Safety signage

## Product specifications

Weight	64kg
Colour	Traffic red: RAL 3020
Suitable for	Outdoor storage of flammables or chemicals
Finished coating	Powder coated
Material & thickness	2mm and 3mm steel
Quantity of keys	3 keys
How are castors fitted?	Quick-fix bolt on castor kit
Other sizes available	6 other sizes
Ventilation	Yes
Qty of shelves as standard	Not applicable

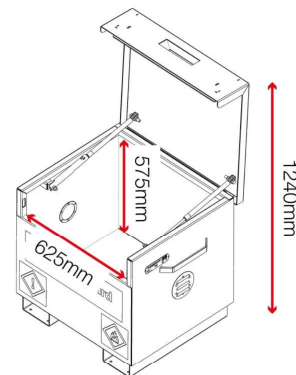
## Dimensions



## Optional extras - Contact Armorgard to find out more



Castor kit CAS160-KS-FX-SB-CP





# flambank™

**Product code: FB2**

- » Secure hazardous vault for storing hazardous goods safely.
- » Fully welded sump helps contain any leakages.
- » Ventilation allows airflow and helps prevent the build-up of fumes.



## Product features



2x 5-lever deadlock



Gas strut (300N)



Forklift skids



COSHH compliant



Sump capacity 85L



Fire resistant



Lid safety stay

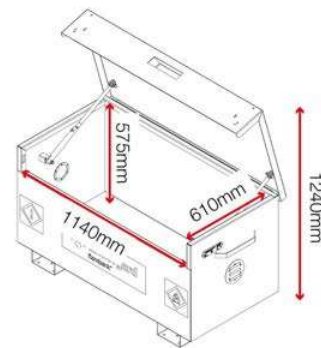
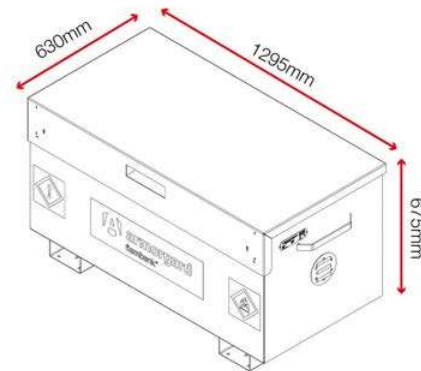


Safety signage

## Product specifications

Weight	82kg
Colour	Traffic red: RAL 3020
Suitable for	Outdoor storage of flammables or chemicals
Finished coating	Powder coated
Material & thickness	2mm and 3mm steel
Quantity of keys	3 keys
How are castors fitted?	Quick-fix bolt on castor kit
Other sizes available	6 other sizes
Ventilation	Yes
Qty of shelves as standard	Not applicable

## Dimensions - External dimensions includes protrusions



## Optional extras - Contact Armorgard to find out more



Castor kit CAS160-KS-FX-SB-CP

**Disclaimer: all dimensions and weights are approximate**



# flambank™

**Product code: FBC2**

- » Secure hazardous vault for storing hazardous goods safely.
- » Fully welded sump helps contain any leakages.
- » Ventilation allows airflow and helps prevent the build-up of fumes.



## Product features



2x 5-lever  
deadlock



Gas strut (450N)



Forklift skids



COSHH  
compliant



Sump capacity  
50L



Fire resistant



Lid safety stay

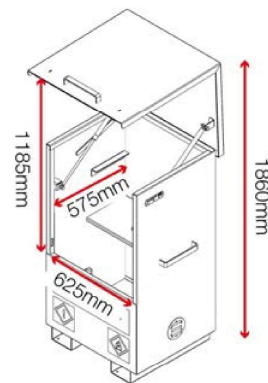
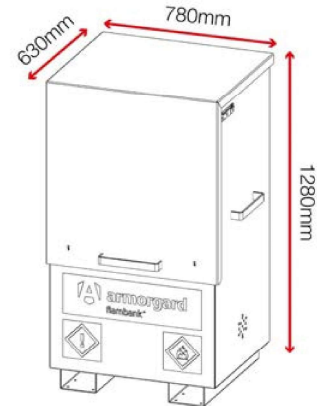


Safety signage

## Product specifications

Weight	107kg
Colour	RAL 3020
Suitable for	Outdoor storage of flammables or chemicals
Finished coating	Powder coated
Material & thickness	2mm and 3mm steel
How are castors fitted?	Quick-fix bolt on castor kit
Other sizes available	6 other sizes
Ventilation	Yes
Qty of shelves as standard	1 shelf

## Dimensions



## Optional extras - Contact Armorgard to find out more



Castor kit CAS160-KS-FX-SB-CP



TBC/FBC 2' shelf SHE-CH2



# flambank™

Product code: FBC4

- » Secure hazardous vault for storing hazardous goods safely.
- » Fully welded sump helps contain any leakages.
- » Ventilation allows airflow and helps prevent the build-up of fumes.



## Product features



2x 5-lever deadlock



Gas strut (1000N)



Forklift skids



COSHH compliant



Sump capacity



Fire resistant



Lid safety stay

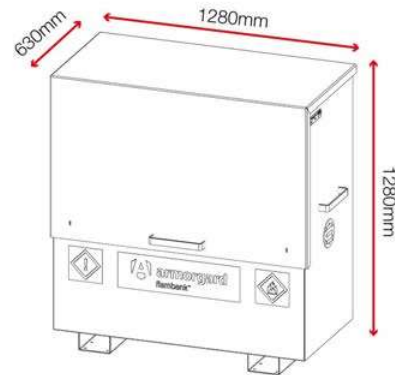


Safety signage

## Product specifications

Weight	153kg
Colour	Traffic red: RAL 3020
Suitable for	Outdoor storage of flammables or chemicals
Finished coating	Powder coated
Material & thickness	2mm and 3mm steel
Quantity of keys	3 keys
How are castors fitted?	Quick-fix bolt on castor kit
Other sizes available	6 other sizes
Ventilation	Yes
Qty of shelves as standard	1 shelf

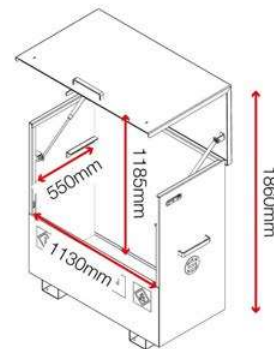
## Dimensions - External dimensions includes protrusions



## Optional extras - Contact Armorgard to find out more



Castor kit CAS160-KS-FX-SB-CP



Disclaimer: all dimensions and weights are approximate



# flambank™

**Product code: FBC5**

- » Secure hazardous vault for storing hazardous goods safely.
- » Fully welded sump helps contain any leakages.
- » Ventilation allows airflow and helps prevent the build-up of fumes.



## Product features



2x 5-lever deadlock



Gas strut (1000N)



Forklift skids



COSHH compliant



110L



Fire resistant



Lid safety stay

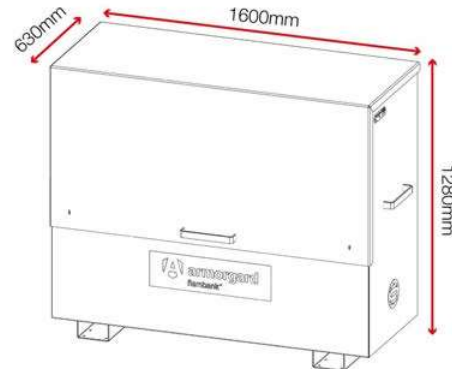


Safety signage

## Product specifications

Weight	174kg
Colour	Traffic red: RAL 3020
Suitable for	Outdoor storage of flammables or chemicals
Finished coating	Powder coated
Material & thickness	2mm and 3mm steel
Quantity of keys	3 keys
How are castors fitted?	Quick-fix bolt on castor kit
Other sizes available	6 other sizes
Ventilation	Yes
Qty of shelves as standard	1 shelf

## Dimensions - External dimensions includes protrusions



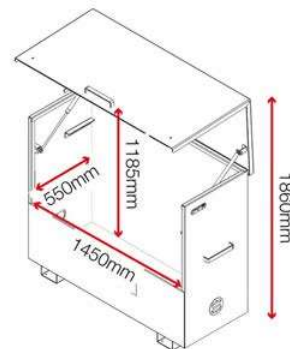
## Optional extras - Contact Armorgard to find out more



Castor kit CAS160-KS-FX-SB-CP



Additional shelf SHE-CH5



**Disclaimer: all dimensions and weights are approximate**



# flambank™

Product code: FBC8

- » Secure hazardous vault for storing hazardous goods safely.
- » Fully welded sump helps contain any leakages.
- » Ventilation allows airflow and helps prevent the build-up of fumes.



## Product features



2x 5-lever deadlock



Gas strut (1200N)



Forklift skids



COSHH compliant



250L



Fire resistant



Lid safety stay

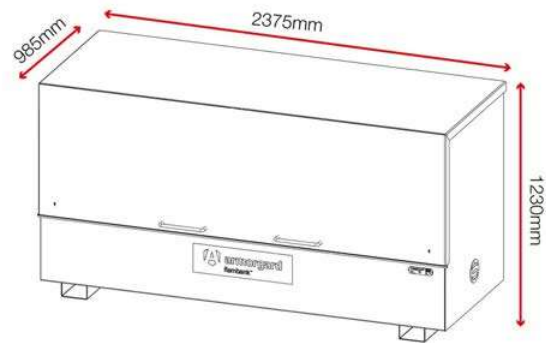


Safety signage

## Product specifications

Weight	334kg
Colour	Traffic red: RAL 3020
Suitable for	Outdoor storage of flammables or chemicals
Finished coating	Powder coated
Material & thickness	2mm and 3mm steel
Quantity of keys	3 keys
How are castors fitted?	Not applicable
Other sizes available	6 other sizes
Ventilation	Yes
Qty of shelves as standard	2 shelves

## Dimensions - External dimensions includes protrusions



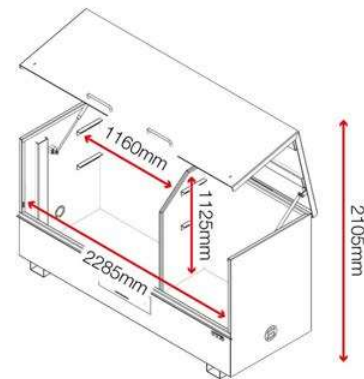
## Optional extras - Contact Armorgard to find out more



Castor kit CAS160-KS-FX-SB-CP



Additional shelf SHE-CH4



Disclaimer: all dimensions and weights are approximate