



safestor™

Product code: HFC1

- » Hazardous storage cupboard for storing flammables or chemicals.
- » Liquid-tight sump to contain spillages.
- » Adjustable feet ensures unit remains level on uneven ground.



Product features



COSHH compliant



Sump capacity



UDL per shelf



Fire resistant



Safety signage

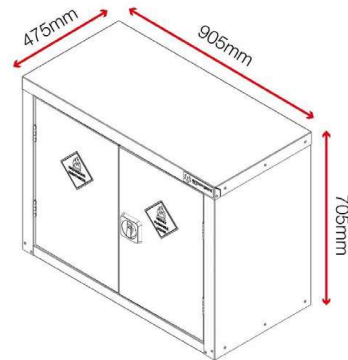


Cam lock

Product specifications

Weight	21kg
Colour	Traffic yellow: RAL 1023
Suitable for	Indoor storage of flammables or chemicals
Finished coating	Powder coated
Material & thickness	0.9mm steel
Quantity of keys	2 keys
How are castors fitted?	Not applicable
Other sizes available	8 other sizes
Ventilation	No
Qty of shelves as standard	1 shelf

Dimensions - External dimensions includes protrusions



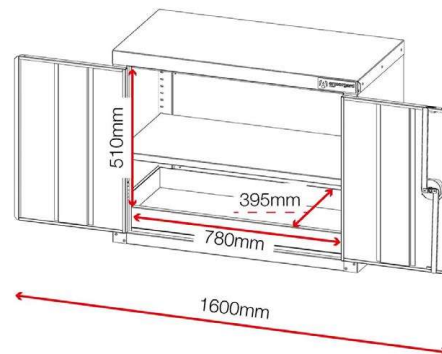
Optional extras - Contact Armorgard to find out more



Stand HCS2



SafeStor shelf



Disclaimer: all dimensions and weights are approximate



safestor™

Product code: HFC2

- » Hazardous storage cupboard for storing flammables or chemicals.
- » Liquid-tight sump to contain spillages.
- » Adjustable feet ensures unit remains level on uneven ground.

Product features



COSHH compliant



Sump capacity



UDL per shelf



Fire resistant



Safety signage

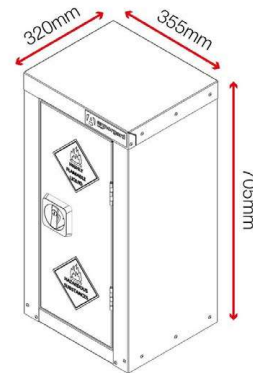


Cam lock

Product specifications

Weight	13kg
Colour	Traffic yellow: RAL 1023
Suitable for	Indoor storage of flammables or chemicals
Finished coating	Powder coated
Material & thickness	0.9mm steel
Quantity of keys	2 keys
How are castors fitted?	Not applicable
Other sizes available	8 other sizes
Ventilation	No
Qty of shelves as standard	1 shelf

Dimensions - External dimensions includes protrusions



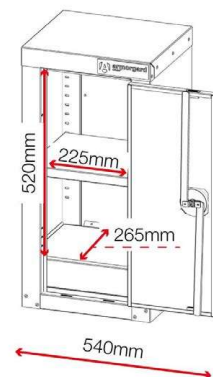
Optional extras - Contact Armorgard to find out more



Stand HCS3



SafeStor shelf



Disclaimer: all dimensions and weights are approximate



safestor™

Product code: HFC3

- » Hazardous storage cupboard for storing flammables or chemicals.
- » Liquid-tight sump to contain spillages.
- » Adjustable feet ensures unit remains level on uneven ground.

Product features



COSHH compliant



Sump capacity



UDL per shelf



Fire resistant



Safety signage

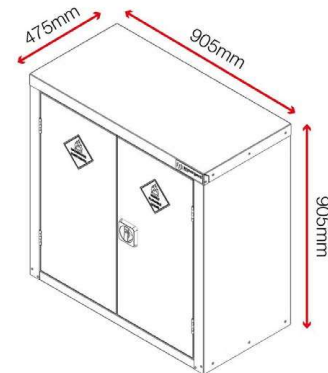


Cam lock

Product specifications

Weight	28kg
Colour	Traffic yellow: RAL 1023
Suitable for	Indoor storage of flammables or chemicals
Finished coating	Powder coated
Material & thickness	0.9mm steel
Quantity of keys	2 keys
How are castors fitted?	Not applicable
Other sizes available	8 other sizes
Ventilation	No
Qty of shelves as standard	1 shelf

Dimensions - External dimensions includes protrusions



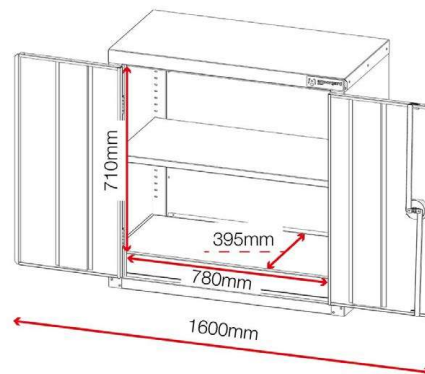
Optional extras - Contact Armorgard to find out more



Stand HCS2



SafeStor shelf



Disclaimer: all dimensions and weights are approximate



safestor™

Product code: HFC4

- » Hazardous storage cupboard for storing flammables or chemicals.
- » Liquid-tight sump to contain spillages.
- » Adjustable feet ensures unit remains level on uneven ground.

Product features



COSHH compliant



Sump capacity



UDL per shelf



Fire resistant



Safety signage

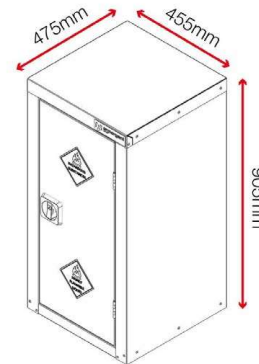


Cam lock

Product specifications

Weight	31kg
Colour	Traffic yellow: RAL 1023
Suitable for	Indoor storage of flammables or chemicals
Finished coating	Powder coated
Material & thickness	0.9mm steel
Quantity of keys	2 keys
How are castors fitted?	Not applicable
Other sizes available	8 other sizes
Ventilation	No
Qty of shelves as standard	1 shelf

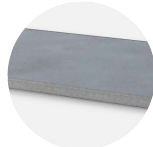
Dimensions - External dimensions includes protrusions



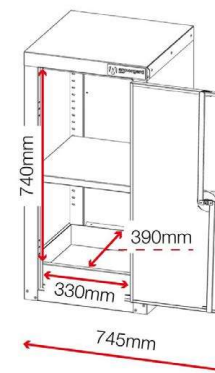
Optional extras - Contact Armorgard to find out more



Stand HCS1



SafeStor shelf



Disclaimer: all dimensions and weights are approximate



safestor™

Product code: HFC5

- » Hazardous storage cupboard for storing flammables or chemicals.
- » Liquid-tight sump to contain spillages.
- » Adjustable feet ensures unit remains level on uneven ground.

Product features



COSHH compliant



Sump capacity



UDL per shelf



Fire resistant



Safety signage

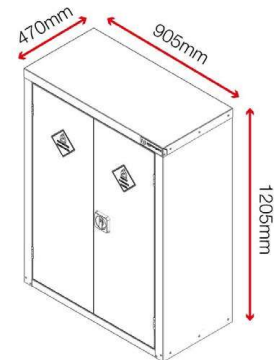


Cam lock

Product specifications

Weight	41kg
Colour	Traffic yellow: RAL 1023
Suitable for	Indoor storage of flammables or chemicals
Finished coating	Powder coated
Material & thickness	0.9mm steel
Quantity of keys	2 keys
How are castors fitted?	Not applicable
Other sizes available	8 other sizes
Ventilation	No
Qty of shelves as standard	2 shelves

Dimensions - External dimensions includes protrusions



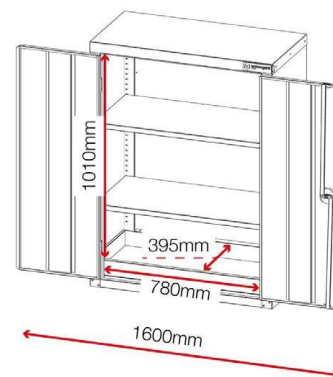
Optional extras - Contact Armorgard to find out more



Stand HCS2



SafeStor shelf



Disclaimer: all dimensions and weights are approximate



safestor™

Product code: HFC6

- » Hazardous storage cupboard for storing flammables or chemicals.
- » Liquid-tight sump to contain spillages.
- » Adjustable feet ensures unit remains level on uneven ground.

Product features



COSHH compliant



Sump capacity



UDL per shelf



Fire resistant



Safety signage

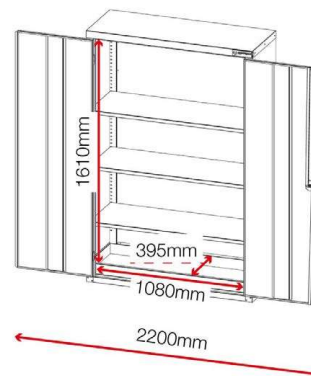
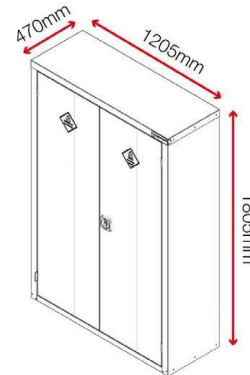


Cam lock

Product specifications

Weight	68kg
Colour	Traffic yellow: RAL 1023
Suitable for	Indoor storage of flammables or chemicals
Finished coating	Powder coated
Material & thickness	0.9mm steel
Quantity of keys	2 keys
How are castors fitted?	Not applicable
Other sizes available	8 other sizes
Ventilation	No
Qty of shelves as standard	3 shelves

Dimensions - External dimensions includes protrusions



Optional extras - Contact Armorgard to find out more



SafeStor shelf

Disclaimer: all dimensions and weights are approximate



safestor™

Product code: HFC7

- » Hazardous storage cupboard for storing flammables or chemicals.
- » Liquid-tight sump to contain spillages.
- » Adjustable feet ensures unit remains level on uneven ground.

Product features



COSHH compliant



Sump capacity



UDL per shelf



Fire resistant



Safety signage

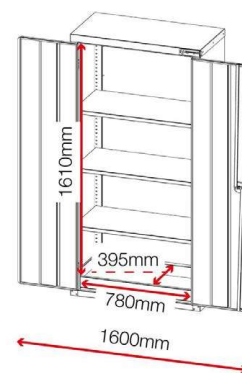
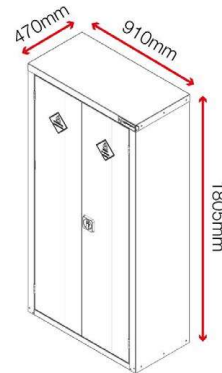


Cam lock

Product specifications

Weight	55kg
Colour	Traffic yellow: RAL 1023
Suitable for	Indoor storage of flammables or chemicals
Finished coating	Powder coated
Material & thickness	0.9mm steel
Quantity of keys	2 keys
How are castors fitted?	Not applicable
Other sizes available	8 other sizes
Ventilation	No
Qty of shelves as standard	3 shelves

Dimensions - External dimensions includes protrusions



Optional extras - Contact Armorgard to find out more



SafeStor shelf

Disclaimer: all dimensions and weights are approximate



safestor™

Product code: HMC1

- » Hazardous storage cupboard for storing flammables or chemicals.
- » Liquid-tight sump to contain spillages.
- » Adjustable feet ensures unit remains level on uneven ground.

Product features



COSHH compliant



Sump capacity



UDL per shelf



Fire resistant



Safety signage



Cam lock

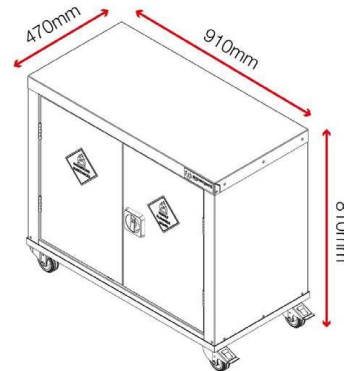


Standard 80mm castors

Product specifications

Weight	26kg
Colour	Traffic yellow: RAL 1023
Suitable for	Indoor storage of flammables or chemicals
Finished coating	Powder coated
Material & thickness	0.9mm steel
Quantity of keys	2 keys
How are castors fitted?	Bolted on
Other sizes available	8 other sizes
Ventilation	No
Qty of shelves as standard	1 shelf

Dimensions - External dimensions includes protrusions



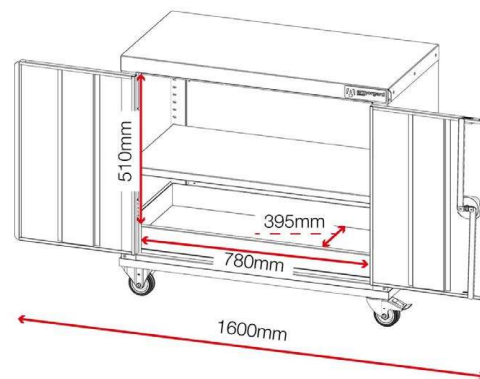
Optional extras - Contact Armorgard to find out more



Stand HCS2



SafeStor shelf



Disclaimer: all dimensions and weights are approximate



safestor™

Product code: HMC2

- » Hazardous storage cupboard for storing flammables or chemicals.
- » Liquid-tight sump to contain spillages.
- » Adjustable feet ensures unit remains level on uneven ground.

Product features



COSHH compliant



Sump capacity



UDL per shelf



Fire resistant



Safety signage



Cam lock

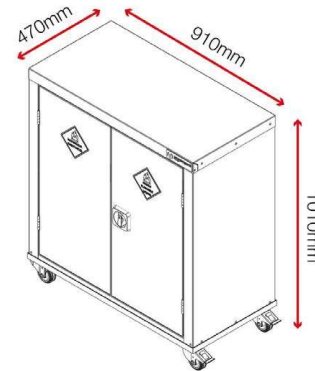


Standard 80mm castors

Product specifications

Weight	33kg
Colour	Traffic yellow: RAL 1023
Suitable for	Indoor storage of flammables or chemicals
Finished coating	Powder coated
Material & thickness	0.9mm steel
Quantity of keys	2 keys
How are castors fitted?	Bolted on
Other sizes available	8 other sizes
Ventilation	No
Qty of shelves as standard	1 shelf

Dimensions - External dimensions includes protrusions



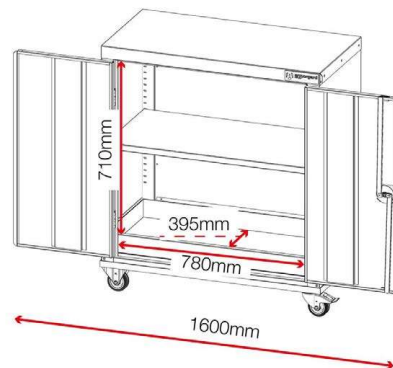
Optional extras - Contact Armorgard to find out more



Stand HCS3



SafeStor shelf



Disclaimer: all dimensions and weights are approximate