



# sitestation™

Product code: **SS2**

- » On-site workstation that serves as a site office or central hub.
- » Split into two compartments with separate lockable doors.
- » Allows managers to stay close to the action on site.



Watch the SiteStation in action



## Product features



Power supply  
110V



Light supply



2x 5-lever  
deadlock



No detachable  
parts



Forklift skids



Crane lifting eyes



Suitable for site

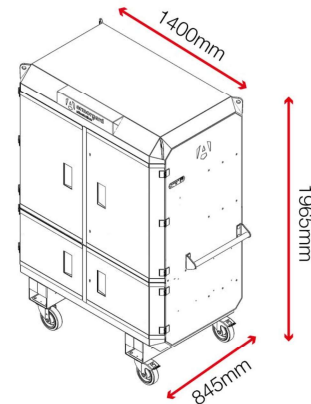


Heavy-duty 6"  
castors

## Product specifications

Weight	223kg
Colour	Black grey: RAL 7021
Finished coating	Powder coated
Material & thickness	1.5mm steel
Quantity of keys	3 keys
Does it have storage	Yes
How are castors fitted?	Castor plates

## Dimensions



## Related products - Contact Armorgard to find out more



CuttingStation SS7



TuffBank TBC4



Forma-Stor FR100-T



Forma-Shelta FR200-S

