

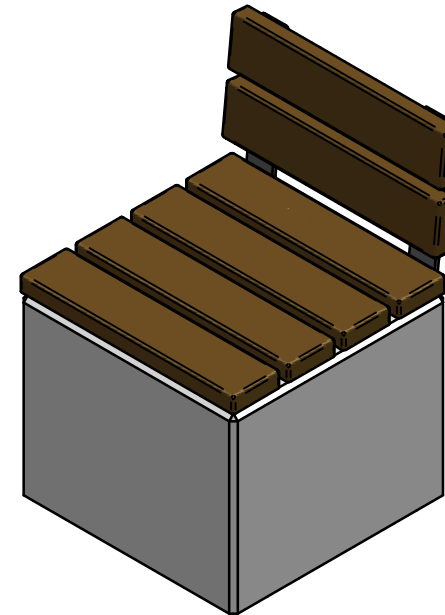
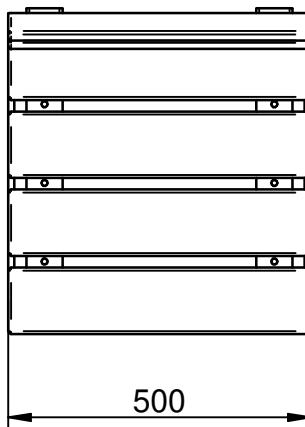
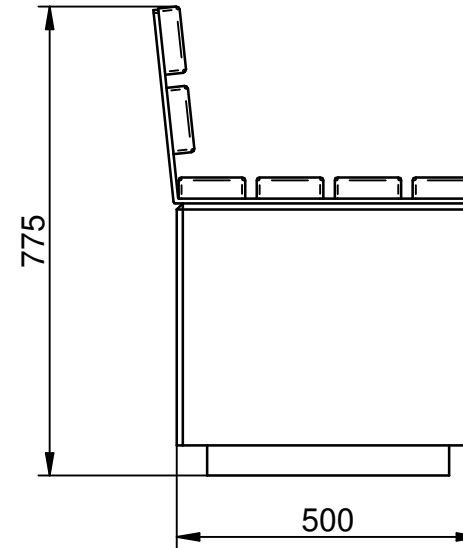
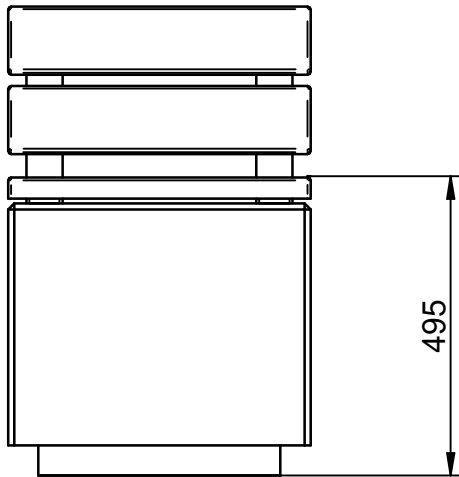
BENITO -Urban

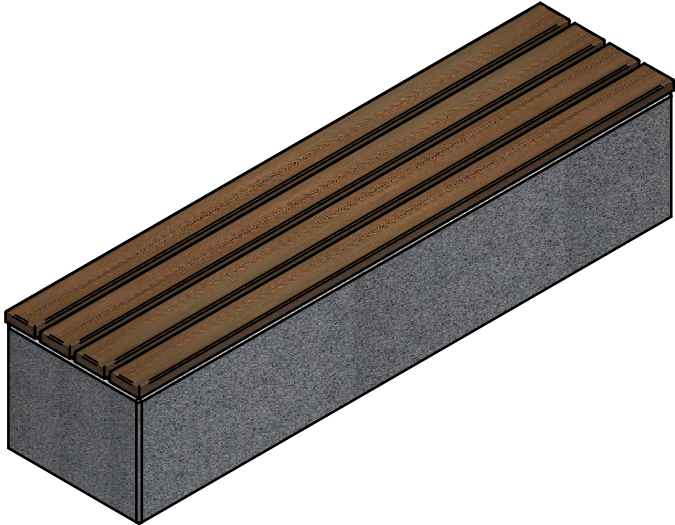
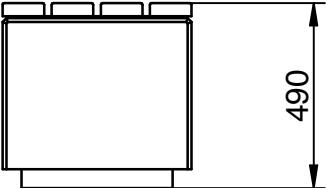
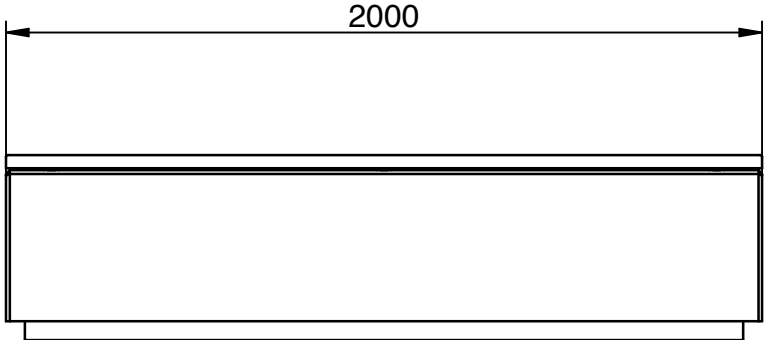
Kube UM372SLP

pittman | traffic & safety
equipment

✉ sales@pittmantraffic.com

☎ (01) 531 2111





BENITO
-Urban

Kube
UM372LP

pittman traffic & safety
equipment
sales@pittmantraffic.com
(01) 531 2111

