



PRODUCT GUIDE **Brooklyn Bicycle Shelter**

pittman[®]

Brooklyn Bicycle Shelter

Product Description

The Brooklyn Shelter is an attractive, versatile design perfectly suited for any environment.

The cycle shelter is ideal for accommodating cycle racks to protect bicycles or motorcycles from the elements, providing maximum cover whilst occupying minimal space.

Can be powder coated in a selection of our colours (specific RAL colours available on request).

Dimensions

Length 4100mm. Height 2275mm. Width 2560mm.
Steel Frame is hot dip galvanised to BS EN ISO 1461.

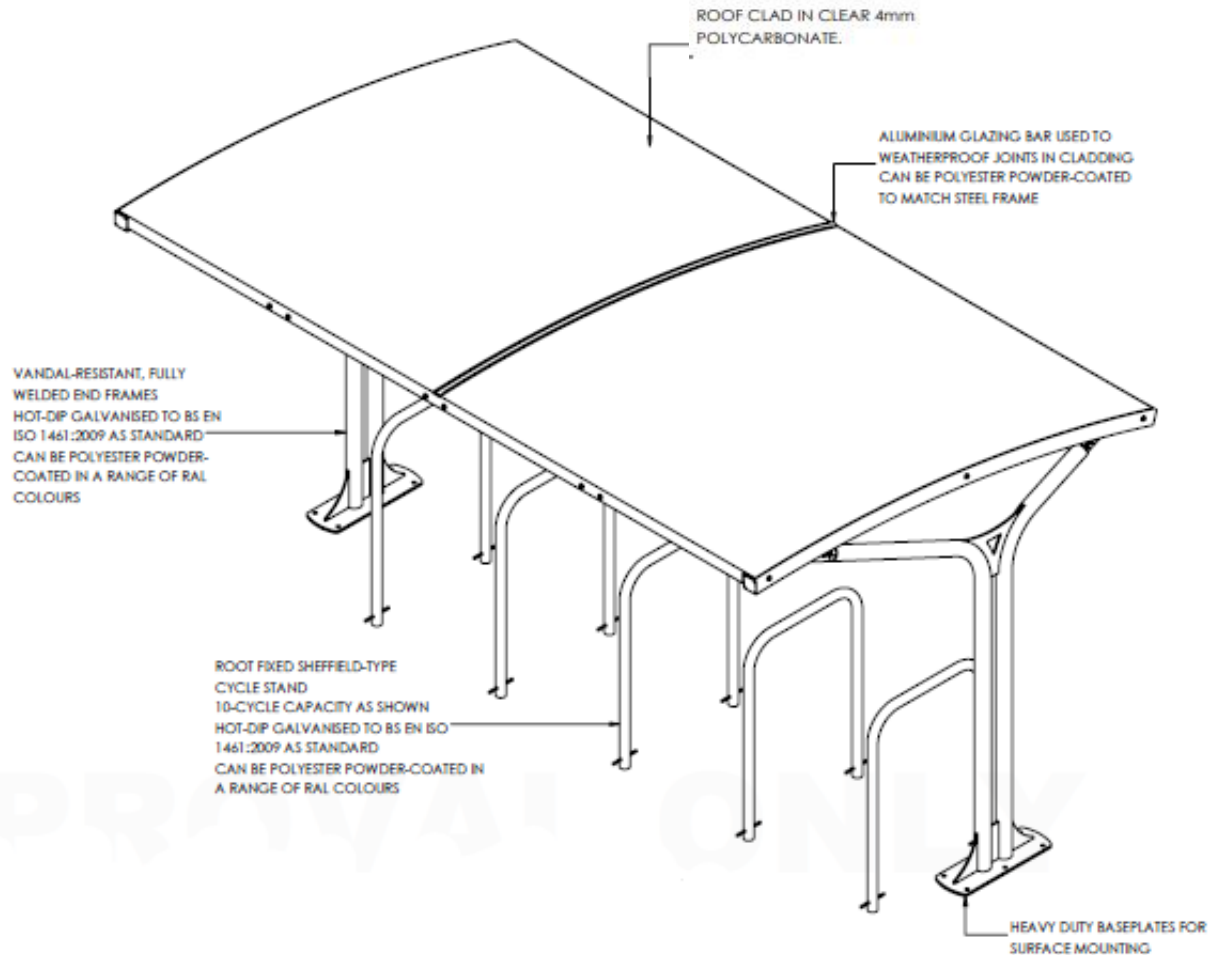


Brooklyn Bicycle Shelter

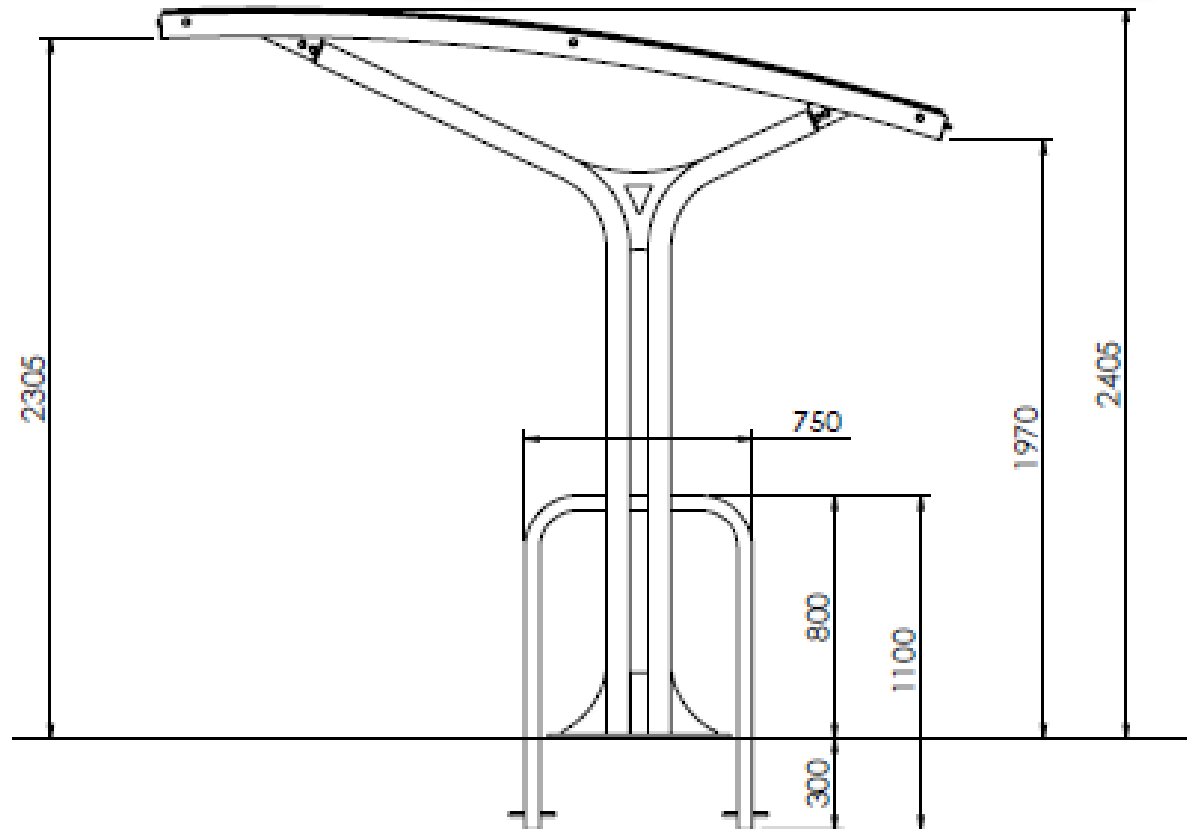
The Brooklyn is available as a stand alone shelter or extendable by 4 metre units to suit your requirements.

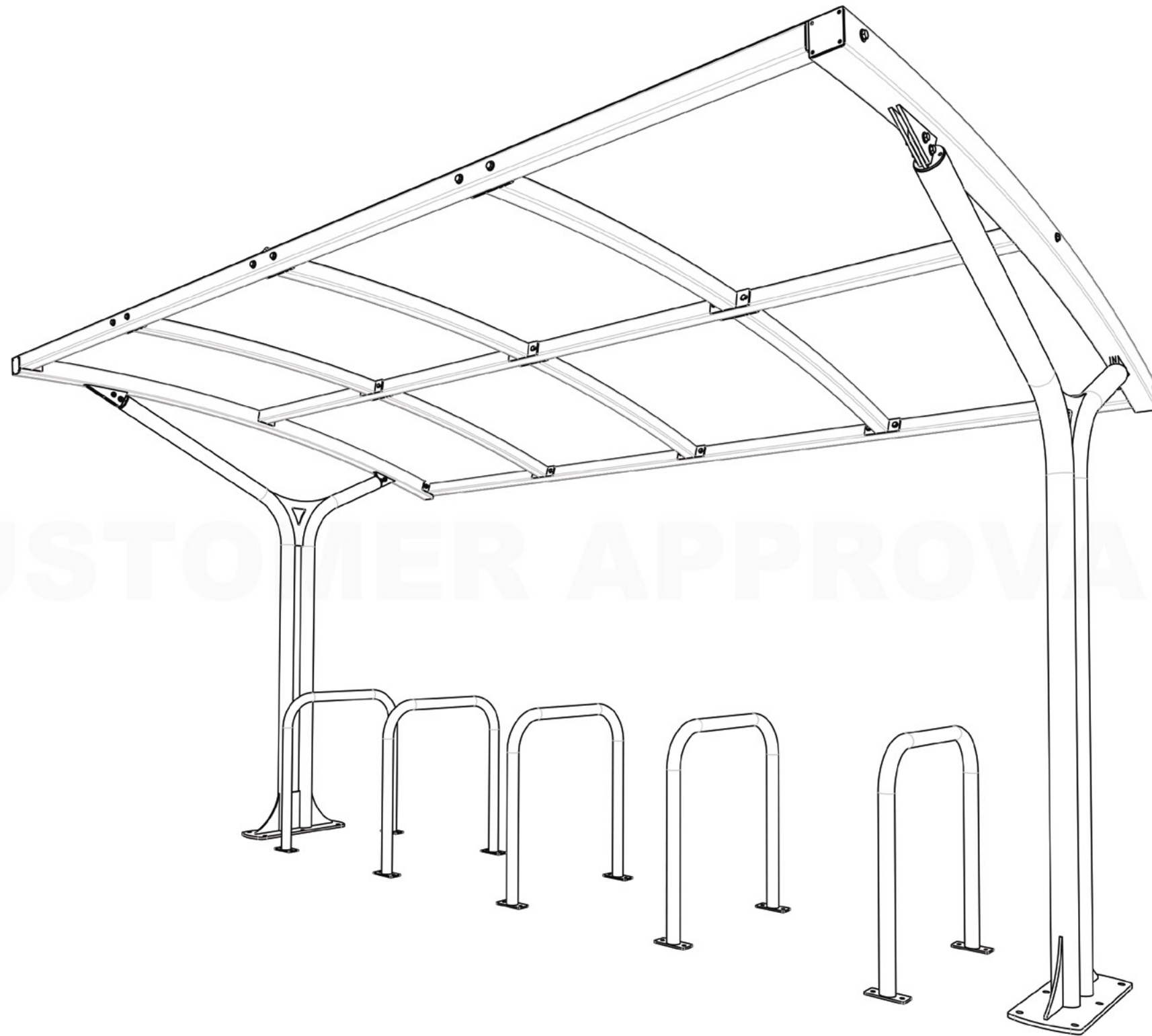


Brooklyn Bicycle Shelter

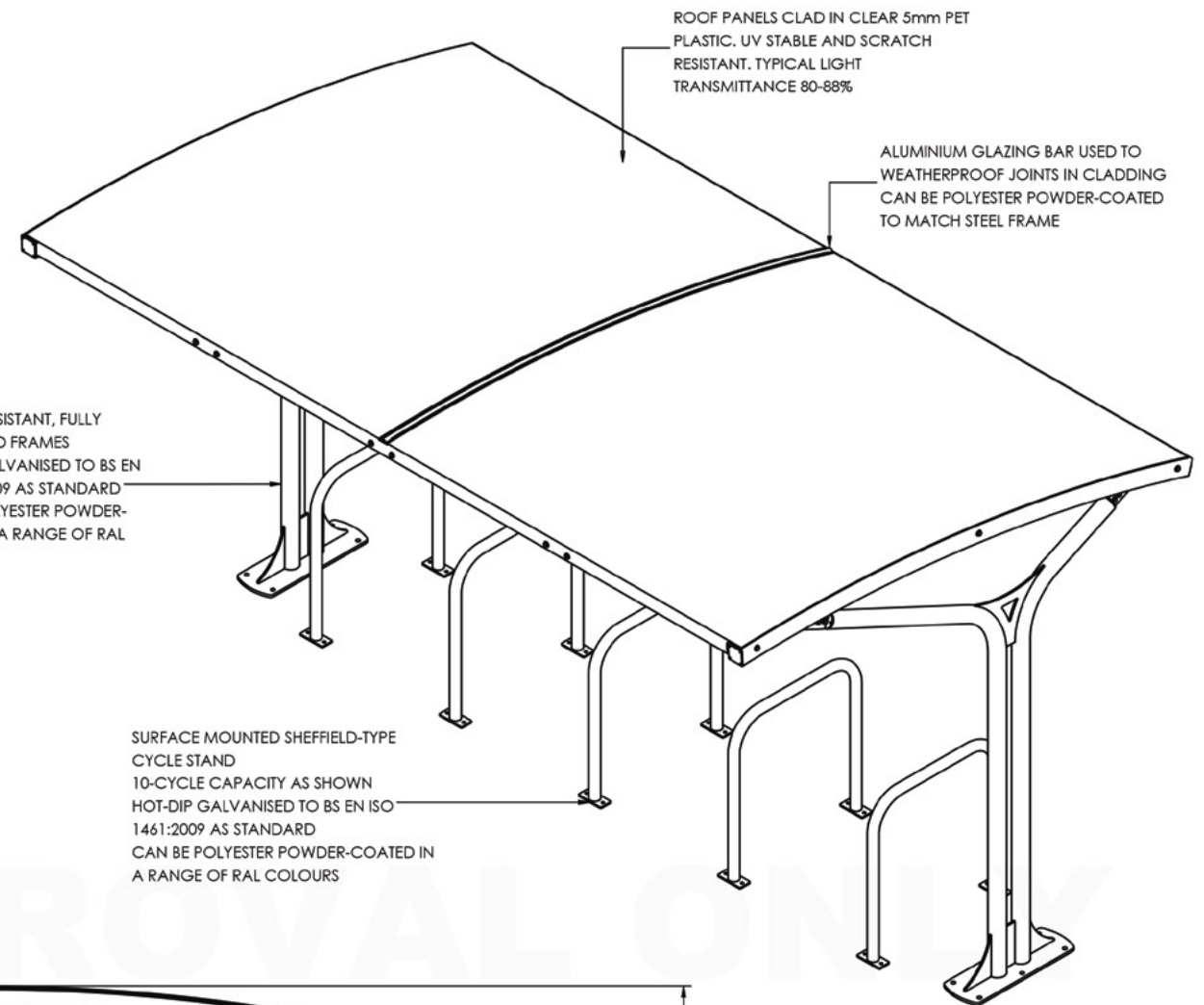
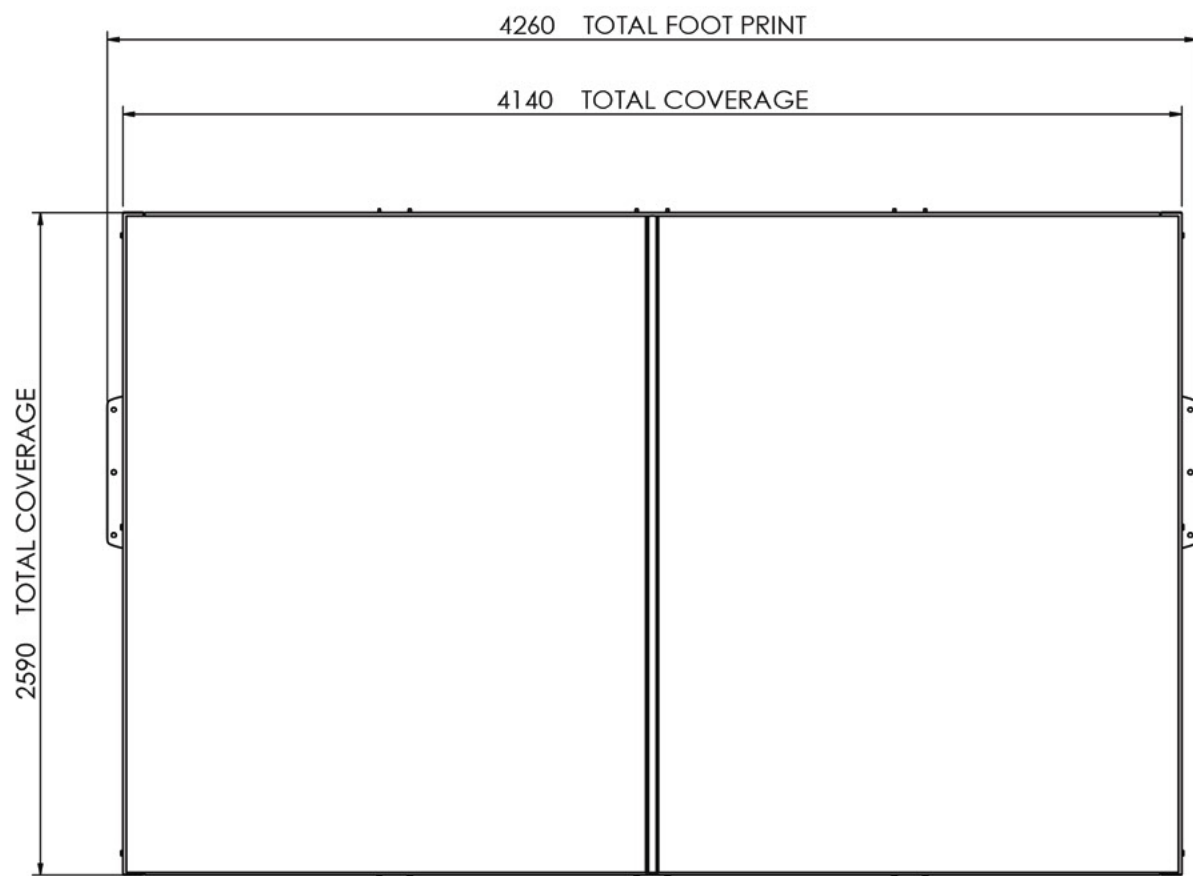


Brooklyn Bicycle Shelter



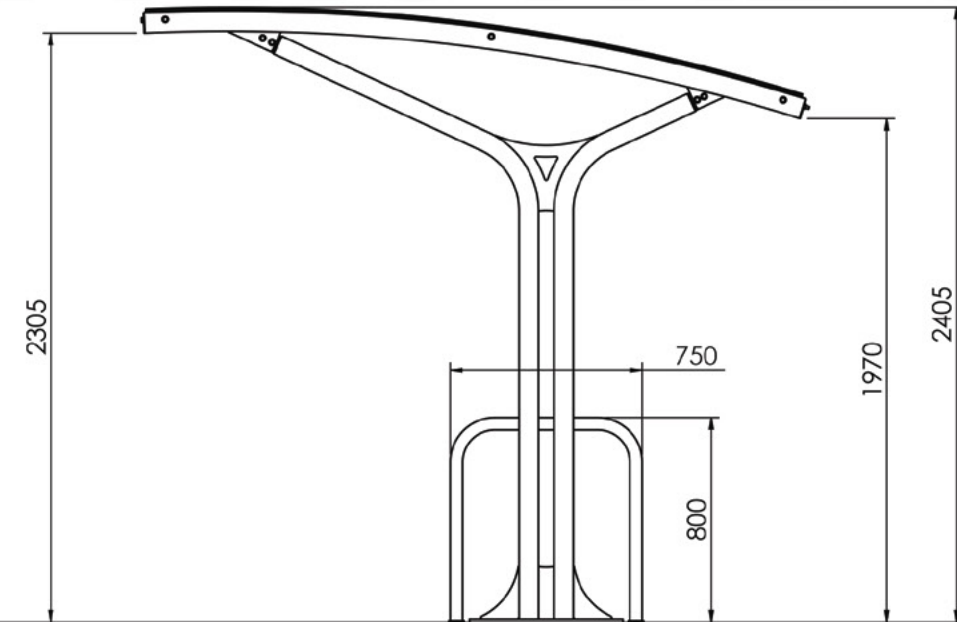
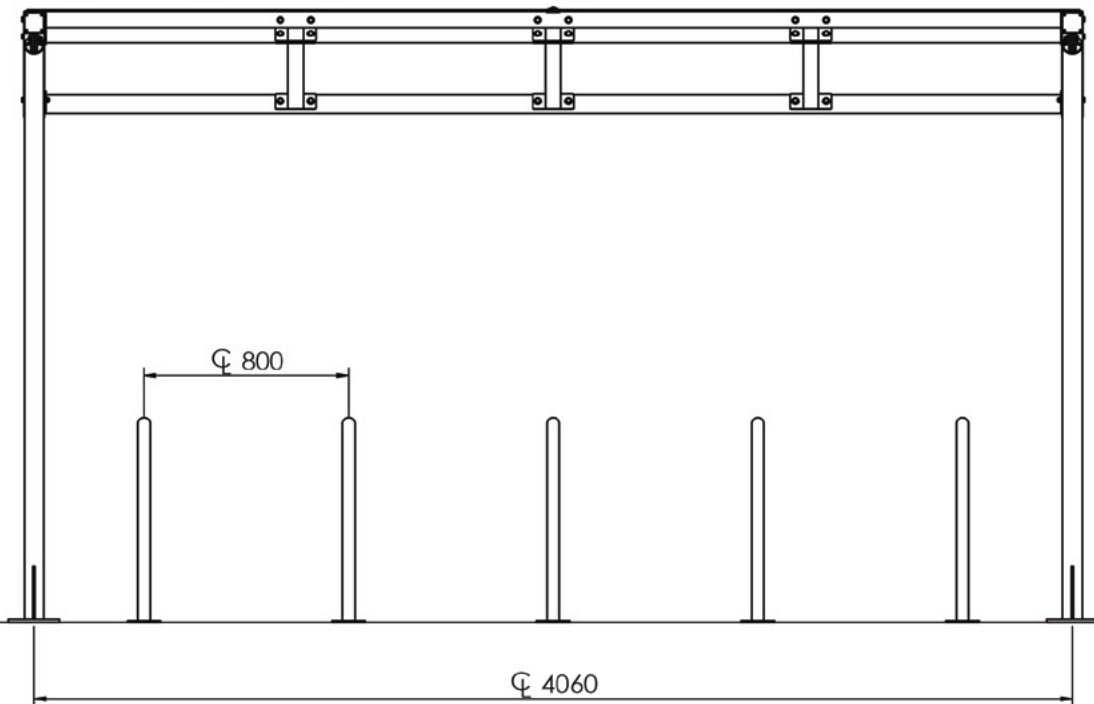


CUSTOMER APPROVAL ONLY



SURFACE MOUNTED SHEFFIELD-TYPE CYCLE STAND 10-CYCLE CAPACITY AS SHOWN HOT-DIP GALVANISED TO BS EN ISO 1461:2009 AS STANDARD CAN BE POLYESTER POWDER-COATED IN A RANGE OF RAL COLOURS

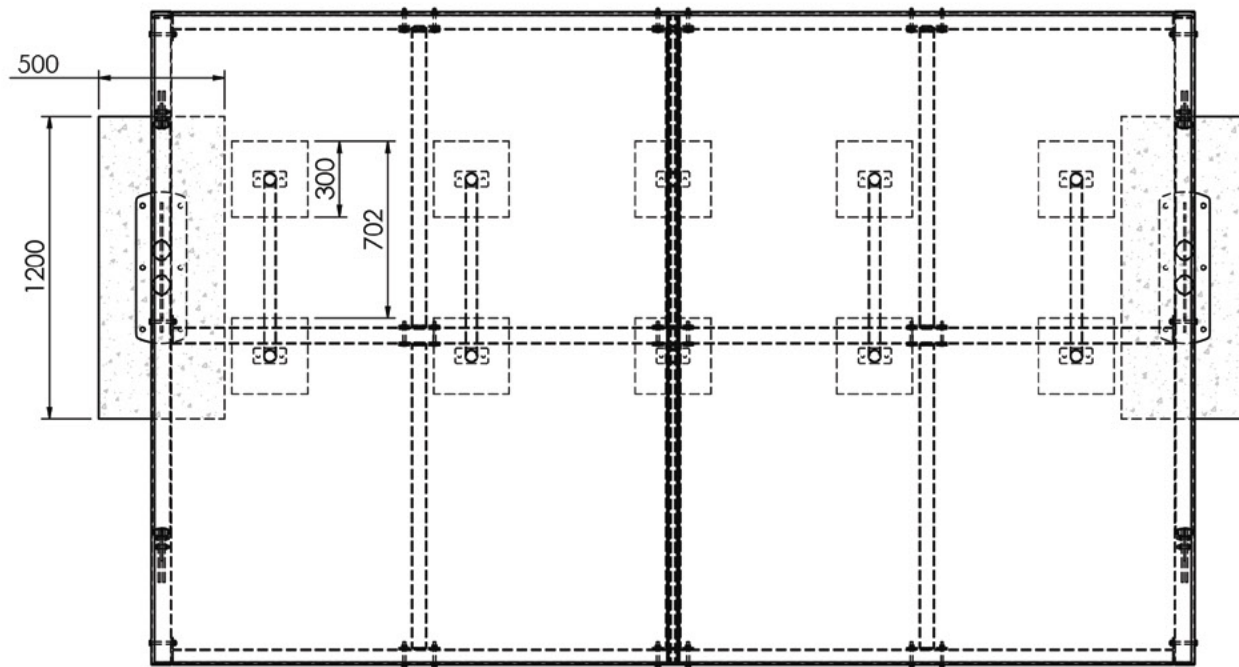
HEAVY DUTY BASEPLATES FOR SURFACE MOUNTING



SHELTER IS EQUALLY SUITED FOR SURFACE, OR SUB-SURFACE MOUNTING TO MEET YOUR SITE REQUIREMENTS. LET US KNOW HOW YOU INTEND TO INSTALL YOUR EASTBROOK AND WE CAN MANUFACTURE ACCORDINGLY

FRAME IS STEEL THROUGHOUT AND IS HOT-DIP GALVANISED. WE CAN POLYESTER POWDER-COAT TO A COLOUR OF YOUR CHOICE ON REQUEST

EASTBROOK SHELTER WILL BE DELIVERED TO YOUR SITE WITH ALL FASTENERS NECESSARY FOR ASSEMBLY EXCLUDING FLOOR LEVEL ANCHORING FIXINGS, WHICH MUST BE SUPPLIED BY OTHERS



FOOTING OPTION:

RECOMMENDED Min. FOUNDATION AS SHOWN IN C16/20 CONCRETE . **LOCAL SITE ENGINEER TO DETERMINE APPROPRIATE SIZE AND COMPOSITION OF PAD BASED ON LOCAL GROUND CONDITIONS.**

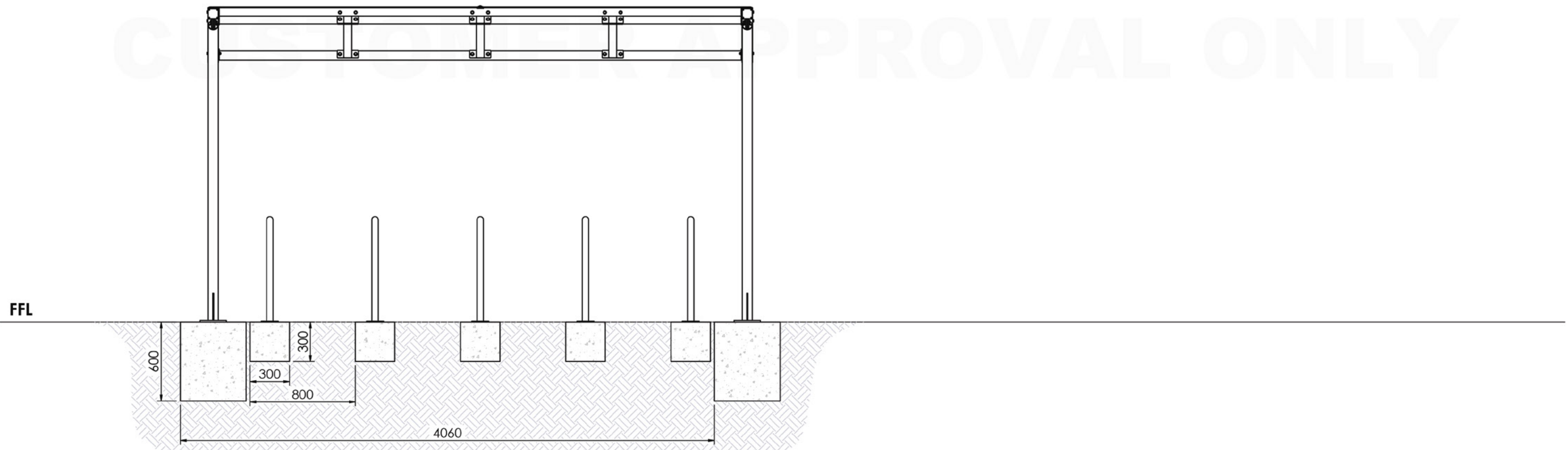
EACH FOOT 6off Min. M16x150 RAWLBOLT / RESIN ANCHOR

EACH CYCLE STAND 4off Min. M12x120

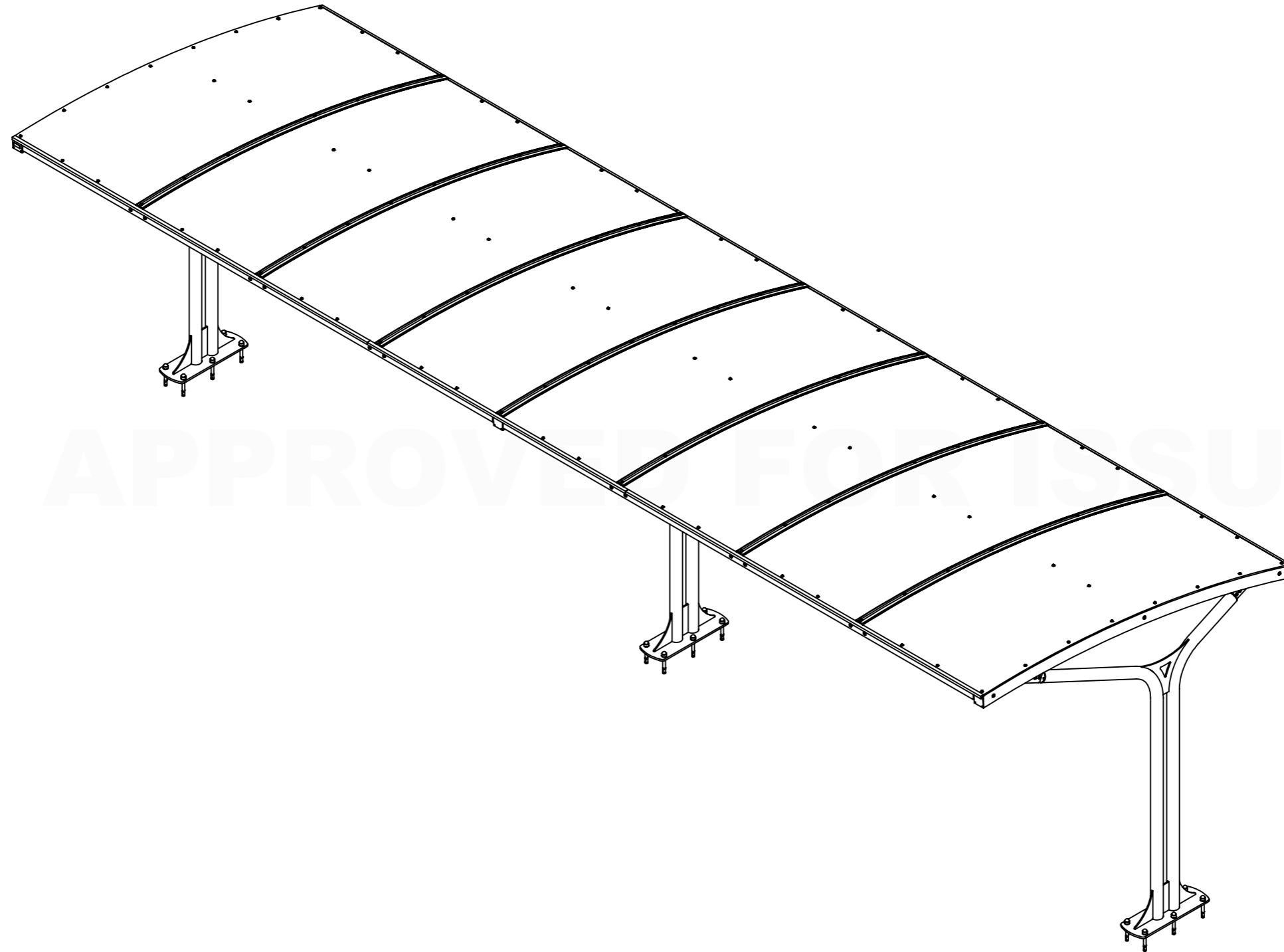
FULL SLAB OPTION:

FULL WIDTH CONCRETE SLAB UNDERNEATH SHELTER REQUIRES STEEL REINFORCEMENT MESH.

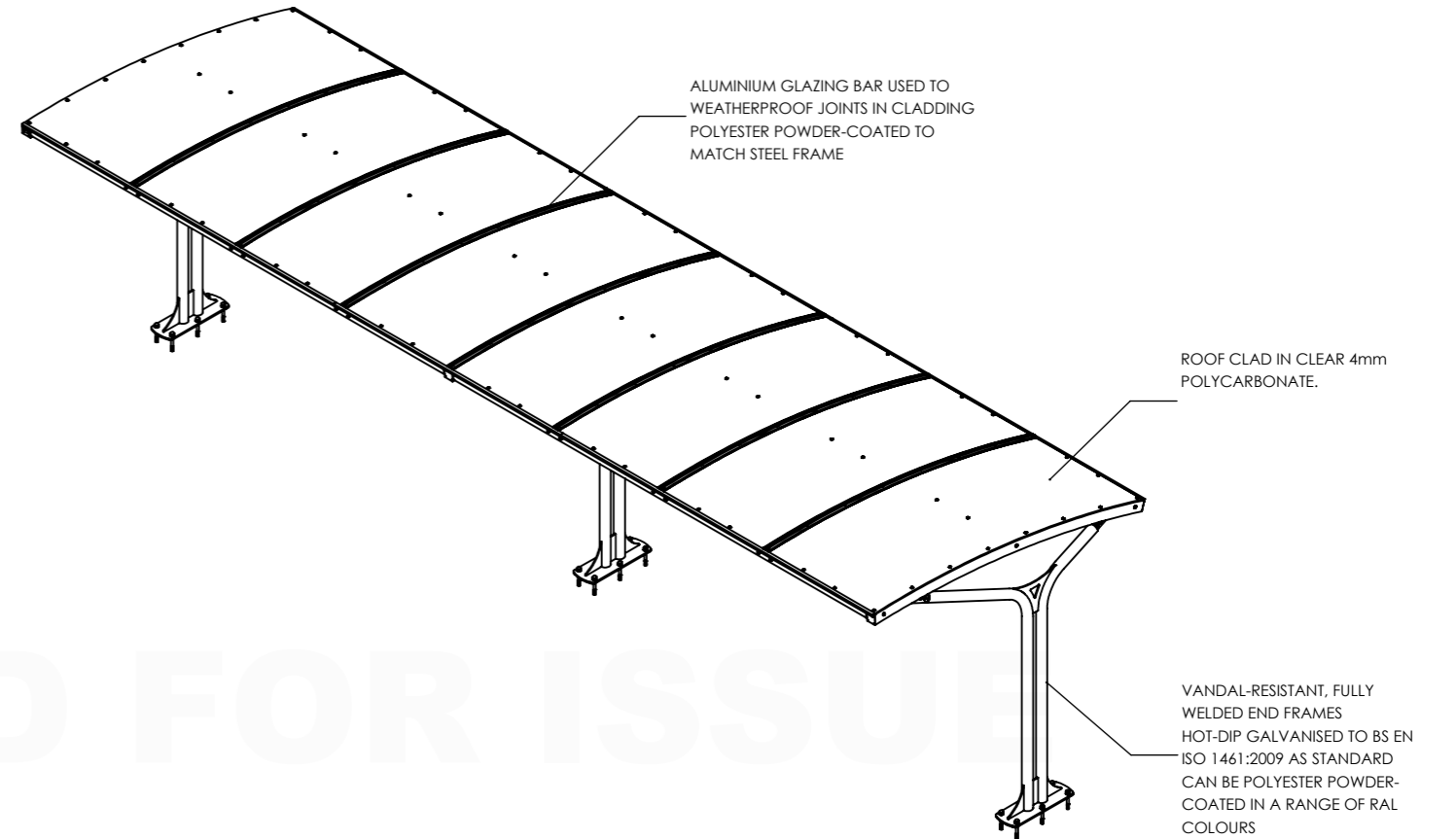
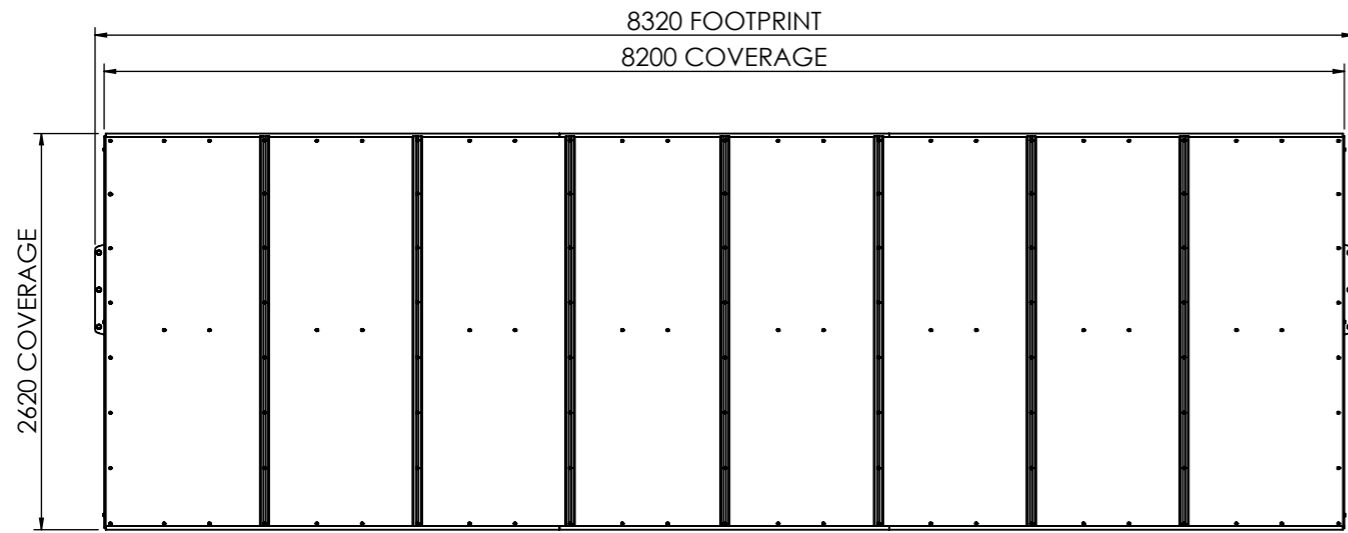
APPROXIMATE TOTAL WEIGHT: **383.1 Kg**



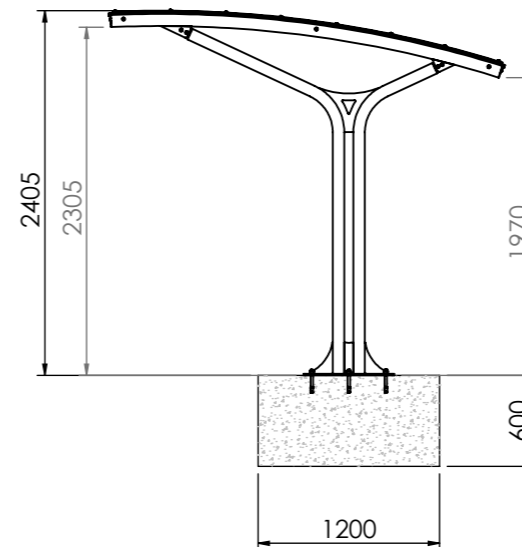
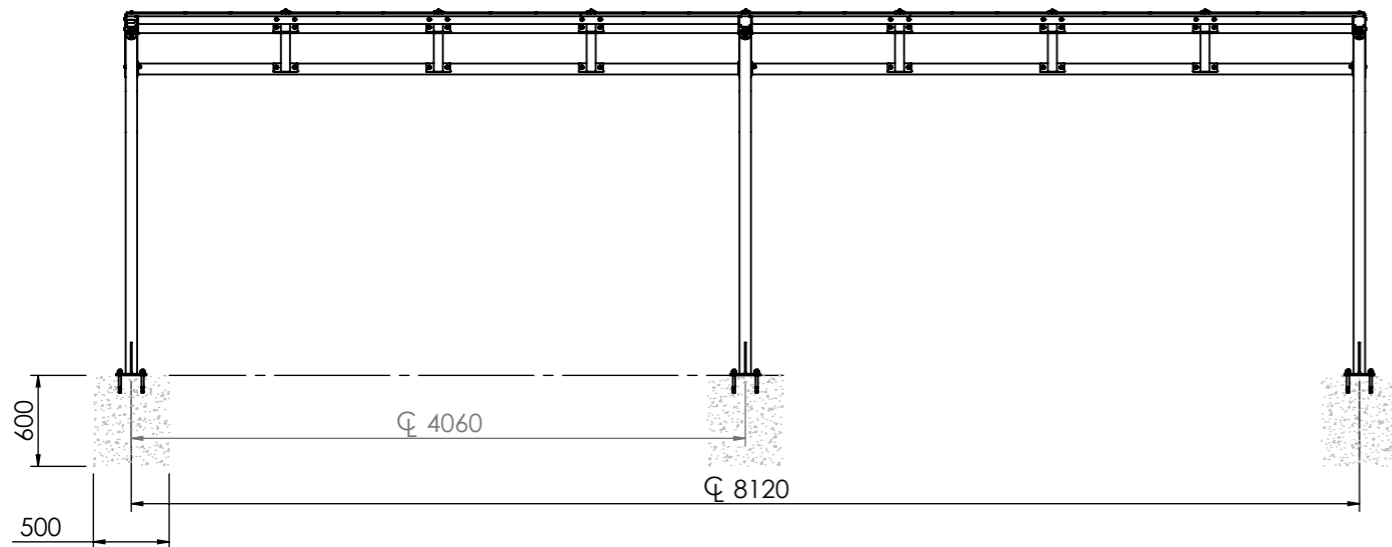
Brooklyn 4m Bike Shelter Drawing



Brooklyn 4m Bike Shelter Drawing



APPROVED FOR ISSUE



FOOTING OPTION:
RECOMMENDED Min. FOUNDATION AS SHOWN IN C16/20 CONCRETE . **LOCAL SITE ENGINEER TO DETERMINE APPROPRIATE SIZE AND COMPOSITION OF PAD BASED ON LOCAL GROUND CONDITIONS.**

EACH FOOT 6off Min. M16x150 RAWLBOLT / RESIN ANCHOR

FULL SLAB OPTION:
FULL WIDTH CONCRETE SLAB UNDERNEATH SHELTER REQUIRES STEEL REINFORCEMENT MESH.

APPROXIMATE TOTAL WEIGHT: **652.2 Kg**

pittman®

B2 Athy Business Campus,
Athy,
Co. Kildare,
R14 PK74
01 5312777
sales@pittman.ie

1310 Solihull Parkway,
Birmingham Business Park,
Birmingham,
B37 7YB
0121 630 3527
sales@pittman.uk