

**Product Specification Sheet**

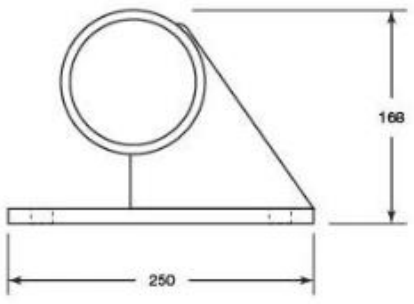
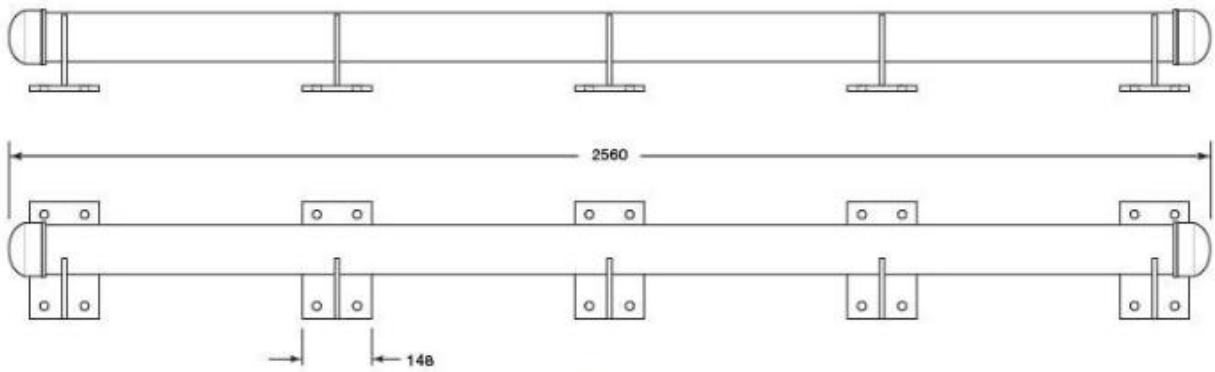
Product name – Economy Steel Wheel Stop – 2500mm



Manufacturer / Brand	Polymer
Warranty	1 year manufacturer's warranty
Material	Galvanised steel, powder coated yellow
Components	114mmØ steel tube with 5no. base plates
Dimensions	2500(L) x 250(W) x 168(H)mm
Weight	53kg
Fixing	M16 x 125mm bolts
Features	5no. fixing plates – pre-drilled Galvanised – won't rust or corrode Powder coated yellow Single piece design for easy install Suitable for LGVs and vans

**Ireland:**  
B2 Athy Business Campus  
Athy, Co. Kildare R14 PK74  
Ph: 01 531 2777  
Email: [sales@pittman.ie](mailto:sales@pittman.ie)

**United Kingdom:**  
1310 Solihull Parkway, Birmingham Business Park  
Birmingham B37 7YB  
Ph: 0121 630 3527  
[sales@pittman.uk](mailto:sales@pittman.uk)



**Ireland:**  
B2 Athy Business Campus  
Athy, Co. Kildare R14 PK74  
Ph: 01 531 2777  
Email: [sales@pittman.ie](mailto:sales@pittman.ie)

**United Kingdom:**  
1310 Solihull Parkway, Birmingham Business Park  
Birmingham B37 7YB  
Ph: 0121 630 3527  
[sales@pittman.uk](mailto:sales@pittman.uk)