

OPERATION, MAINTENANCE AND INSTALLATION MANUAL

Stainless steel convex safety mirrors are used to improve the safety by mitigating sight restriction problems and improving visibility in traffic, i.e. in driveways and exits, low-visibility turns and roundabouts. Also suitable for controlling transport routes, entrances or exits from buildings or facilities, garages or yards connected to roads.

Stainless steel convex safety mirror types:

Stainless steel convex safety mirror types:	Size in mm (in)	Weight in kg (lbs)	Recommended viewing distance in m (feet)
PVO INOX 600X800	600X800 (23.5x31.5in)	20 (44lbs)	12 to 16 (39 to 52.5 feet)
PVO INOX FI 600	Ø 600 (Ø 25.5in)	12 (26.5lbs)	9 to 14 (29.5 to 46 feet)

Features:

- Superior optical characteristics
- Easy installation
- Adjustable both vertically and horizontally
- Durable weather-resistant frame, plastic frame with reflective red and white decals
- Anti-condensation and frost up to -20°C

Stainless steel convex safety mirrors are rarely damaged or destroyed in acts of vandalism as they are virtually indestructible. Similarly, impacts with small or sharp objects will not dent the mirrors nor permanently distort its reflection.

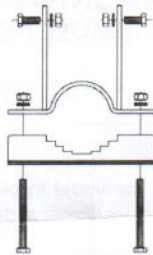
Condensation and frost resistant up to -20°C.

The superior reflective surface is complemented by a high-quality frame and rear panel, making the mirror compliant with even the most stringent quality requirements.

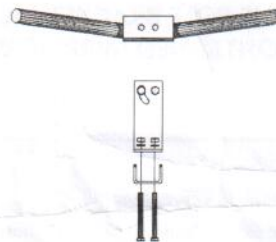
Installation

1. Hot-dip galvanized steel bracket with joint (thickness 4mm) supplied in small cardboard box is bolted using M8 bolts onto the hot-dip galvanized bracket mounted on the rear of the convex safety mirror, torqued at 20Nm.

Jointed bracket:



Mounting bracket onto mirror rear:



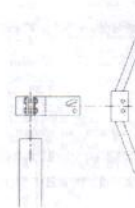
2. The fully-assembled convex safety mirror can be mounted on metal poles using bracket and stainless steel bolts, torqued at 20Nm:
Recommended METAL POLE

-Recommended pole outer diameter: 63.5mm (2.5in). 88.9mm (3.5in). 102mm (4in).

-Recommended minimum mounting height: 2.5m (8 feet).

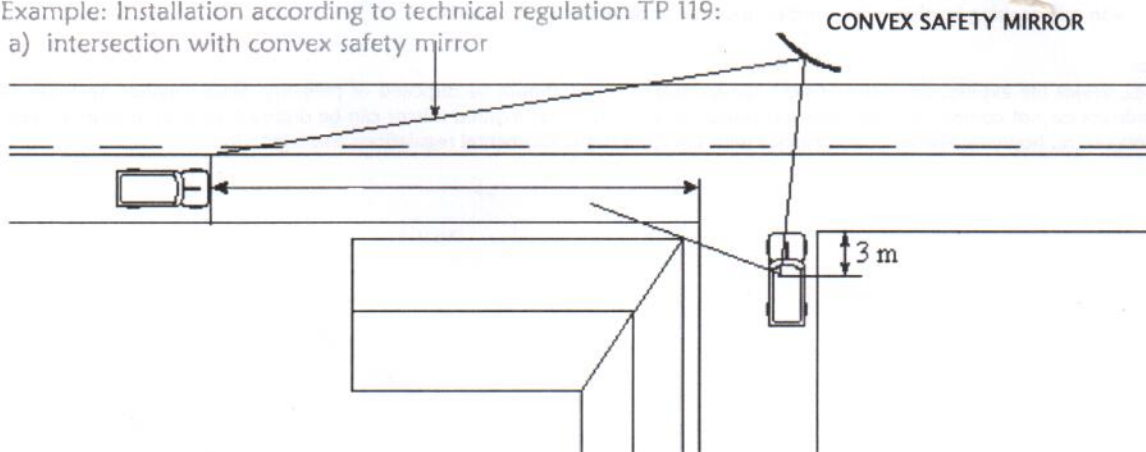
These values are strictly recommendations.

The buyer is responsible for selecting the appropriate pole sizes and mounting of the safety mirror in accordance with the current planning conditions.

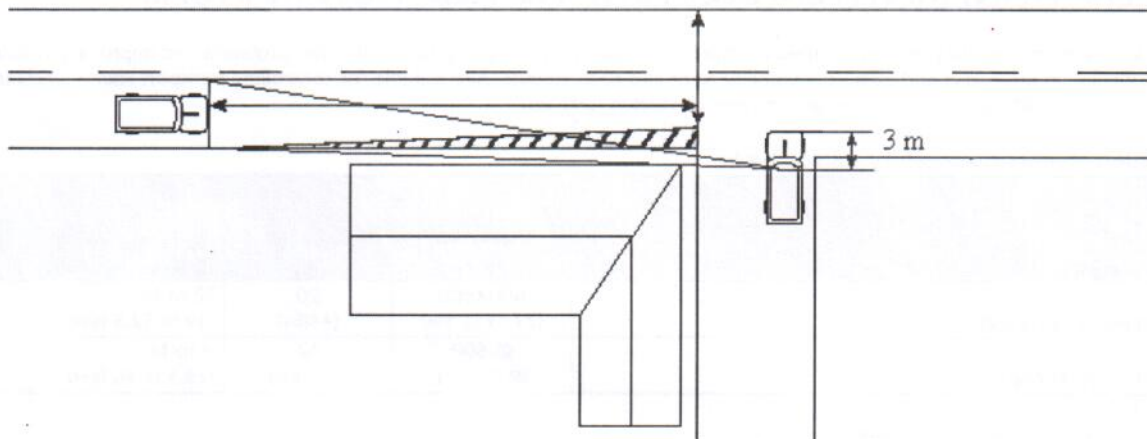


Example: Installation according to technical regulation TP 119:

a) intersection with convex safety mirror



b) intersection without convex safety mirror



Warning:

When mounted correctly and in accordance with the manual, the convex safety mirror does not represent a safety hazard.

! CAUTION: The user assumes full liability for any damages or injuries resulting from incorrect use!

	DO NOT STRESS THE REFLECTIVE LENS OF THE MIRROR DURING MOUNTING!
	THE POLE BRACKET MUST ALWAYS BE MOUNTED ONTO A VERTICALLY POSITIONED MIRROR WHILE THE MIRROR (LENS) MUST NEVER BE LAIN ON THE GROUND!

Maintenance:

Stainless steel convex safety mirrors require practically no regular maintenance except for the visual inspection of all parts and cleaning of the mirror's surface as appropriate when contaminated due to environmental factors. Replace damaged or worn parts as necessary.

Cleaning:

The mirror is coated with a protective photocatalytic layer. Cleaning the mirror with aggressive detergents could compromise the protective coating.

To clean the stainless steel convex safety mirror manually, use regular **mild** household detergents and soft non-abrasive cloths or sponges.

Cleaning instructions - small areas:

- Soak cloth in lukewarm water.
- Wash surface with mild detergent and soft sponge or cloth.
- Then rinse surface with cold water and dry mirror using soft and dry cloth.

IMPORTANT!

Do not use abrasive or alkaline detergents!

Do not clean mirror using brushes, wire brushes, sponges or other abrasive materials.

Disposal:

When its service life expires, the stainless steel convex safety mirror should be disposed of properly. Since stainless steel convex safety mirrors do not contain any materials hazardous to the health, the expired mirror can be disposed of at an industrial waste collection centre, however always in accordance with the current environmental regulations and legislation.