

pittman[®]

Semi Vertical Cycle Rack



Specification Sheet

The Snowden Semi Vertical Cycle Rack is simple in design allowing the cycle stand allowing the cycle stand to be used in an array of surroundings

These can be arranged to store any number of bicycles.

Price is based on per bike parking space.



Semi Vertical Cycle Rack



Features and Benefits

Cost Effective

Where space is at a premium.

High Quality

Designed to last through the construction and mechanisms. 1 year warranty as standard. 10 year warranty on the galvanising.

Secure and Safe

Each bike has its own individual locking loop.

Simple to install

Assembly consist of standard parts that can be extended or relocated at any time

Finish

Galvanised to BS EN ISO 1461 as standard. We are also able to offer a powder coated finish.

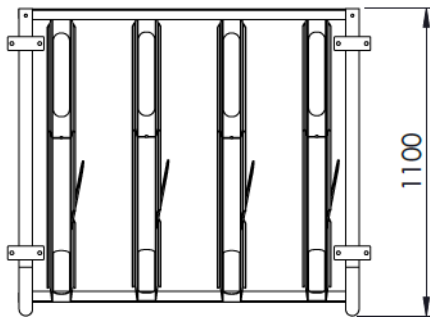
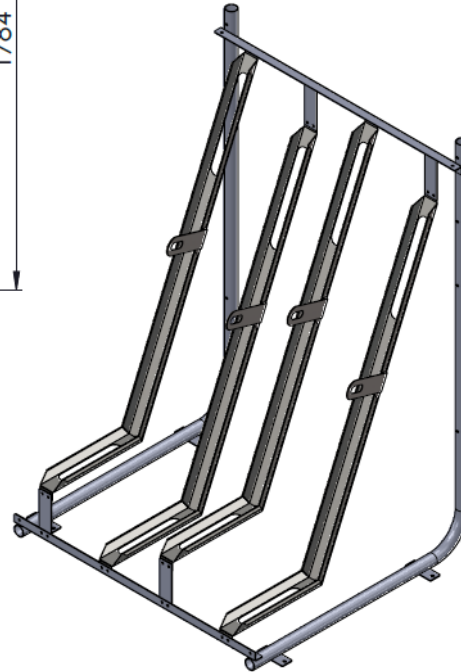
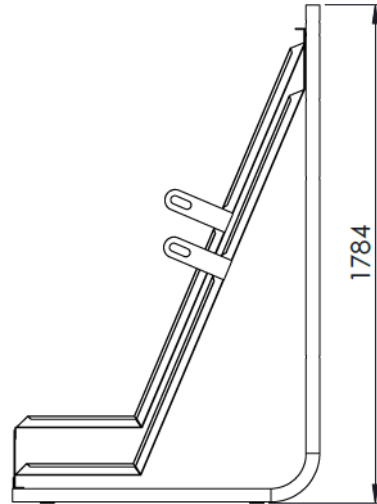
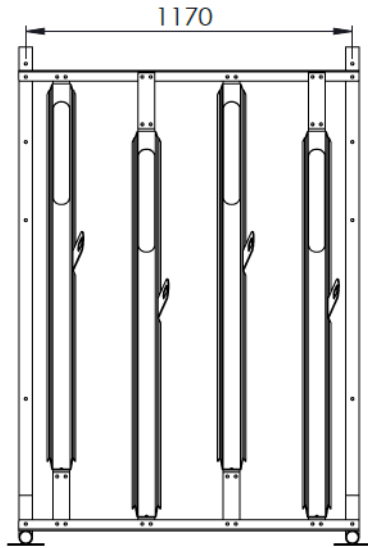


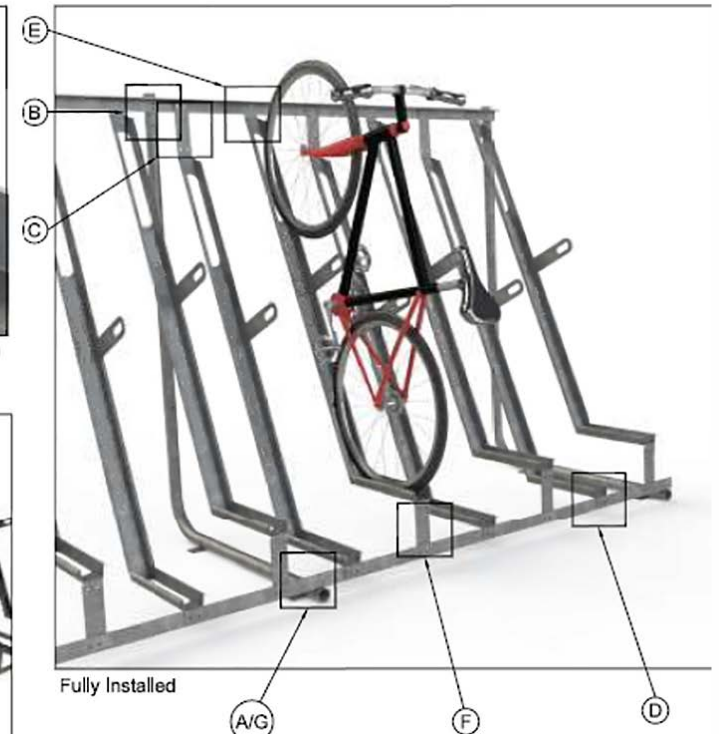
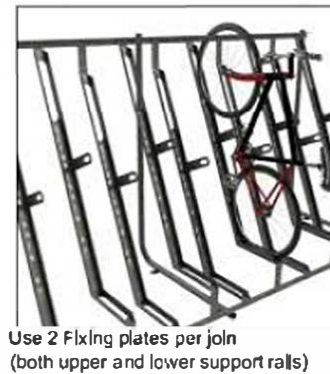
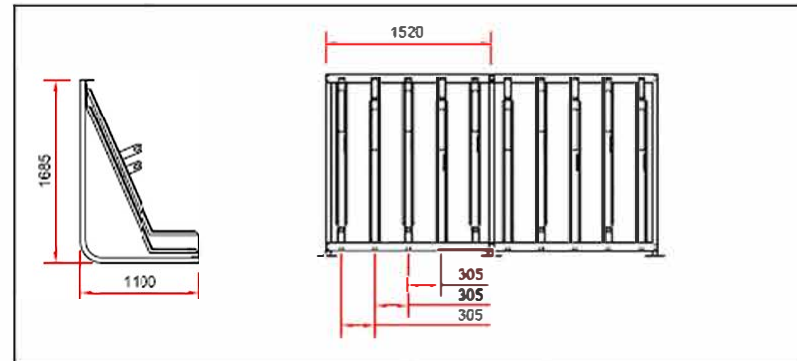
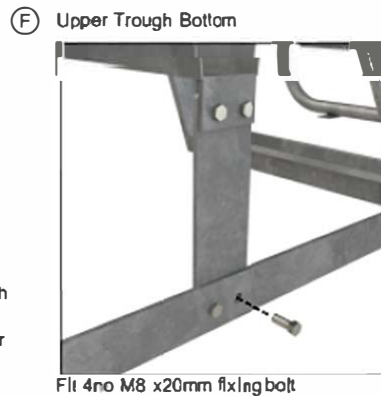
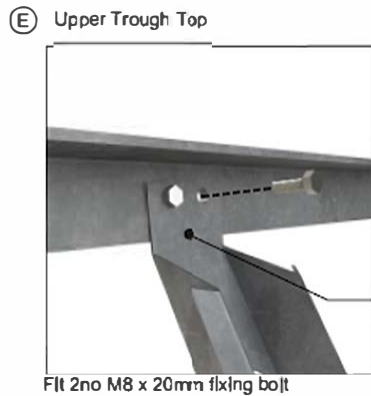
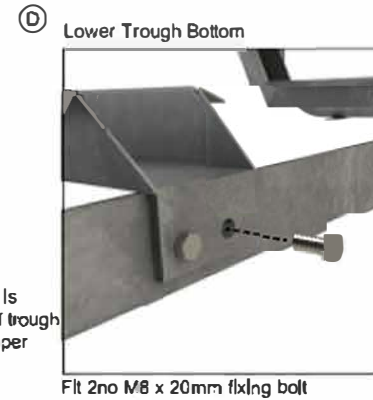
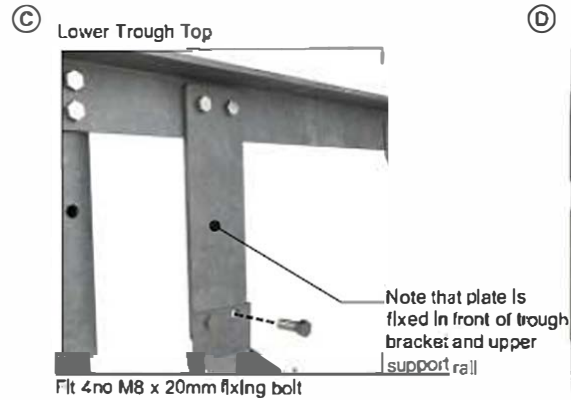
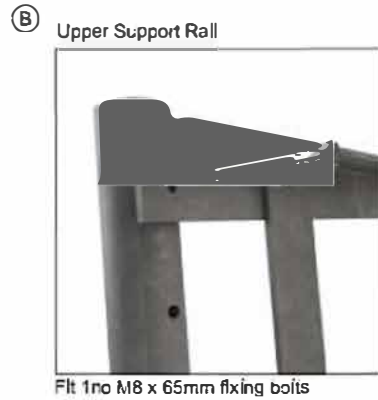
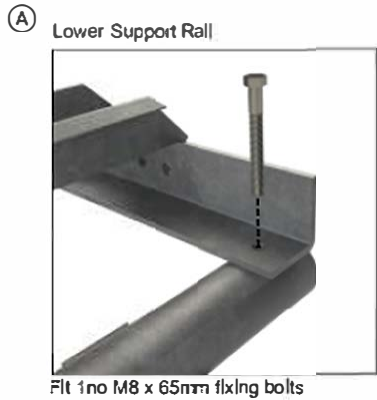
Semi Vertical Cycle Rack



Detailed Drawings

Example of 4 bay rack





- L-Shaped leg support must be included at least every 6 bike positions