



- Indoor use
- Extremely shock and impact resistant
- Mould and cold resistant
- Fire protection class B2
- Resistant to detergents
- Easily installed



TRAFFIC-LINE
Wall Buffer

Tough impact resistant Polyethylene profiles designed to protect walls against impacts and glancing blows. Ideally suited for installation in rooms and corridors of public buildings, nursing homes, waiting rooms, hospitals and clinics, industrial buildings, offices etc.

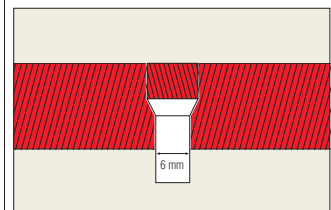
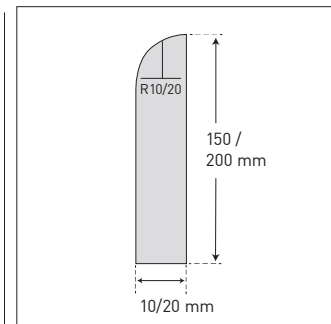
TRAFFIC-LINE Wall Buffers are mould resistant and are temperature resistant down to -30° C, and are easy to maintain and clean. They are manufactured in solid colour throughout the profile, thus reducing the visual effect of any impacts.

The profiles are easily installed with 6mm countersunk screws (not supplied) through pre-drilled countersunk holes, which can be covered with the identical coloured plugs supplied. They are easily cut to length or mitred on site using standard tools.

Fire Protection Class: B2

Length: 2,060 mm

Other thicknesses, heights, profiles and colours available on request.



Colour	Height (mm)	Thickness (mm)	Delivery weight (kg/ea.)	Reference
white	150	10	3	423.14.241
		20	6	423.17.402
	200	10	4	423.18.836
		20	8	423.14.682
light-granite	150	10	3	423.14.556
		20	6	423.18.514
	200	10	4	423.15.743
		20	8	423.15.499
black	150	10	3	423.18.669
		20	6	423.18.122
	200	10	4	423.19.744
		20	8	423.15.908