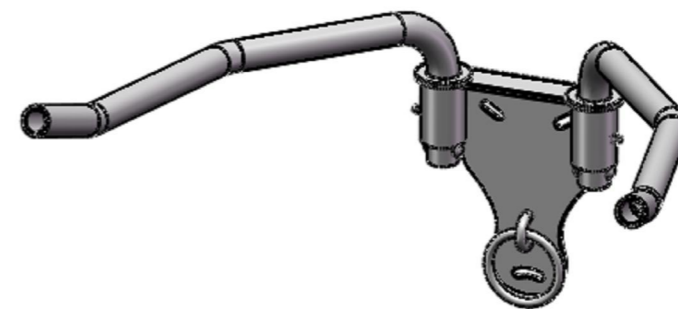
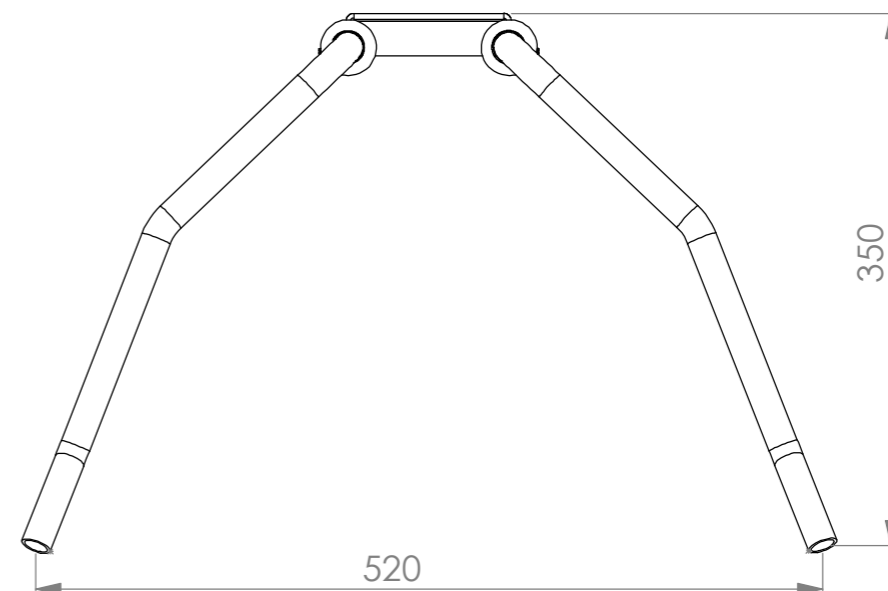
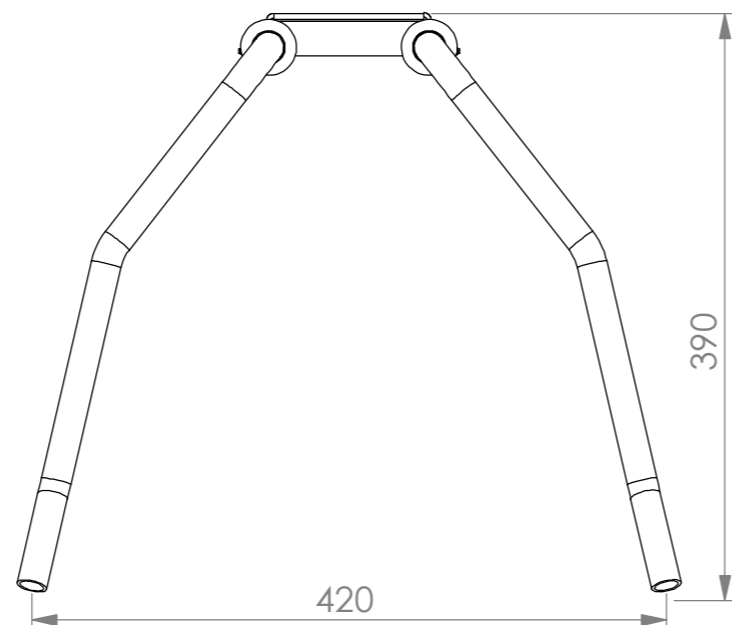
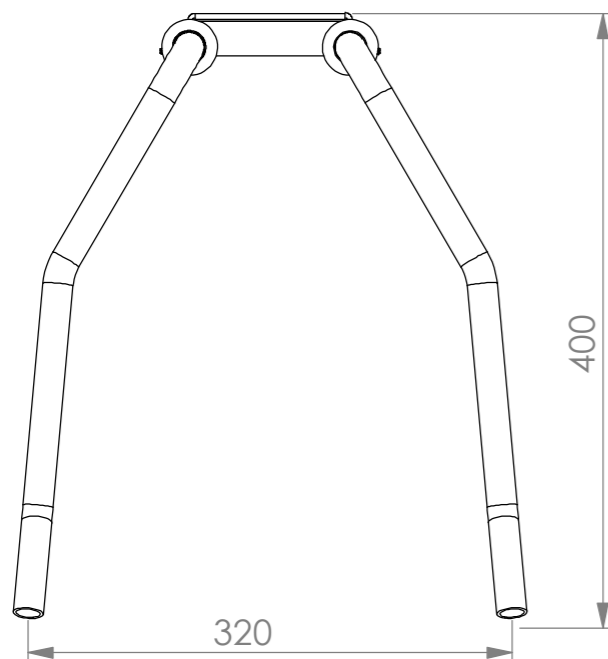


Medium

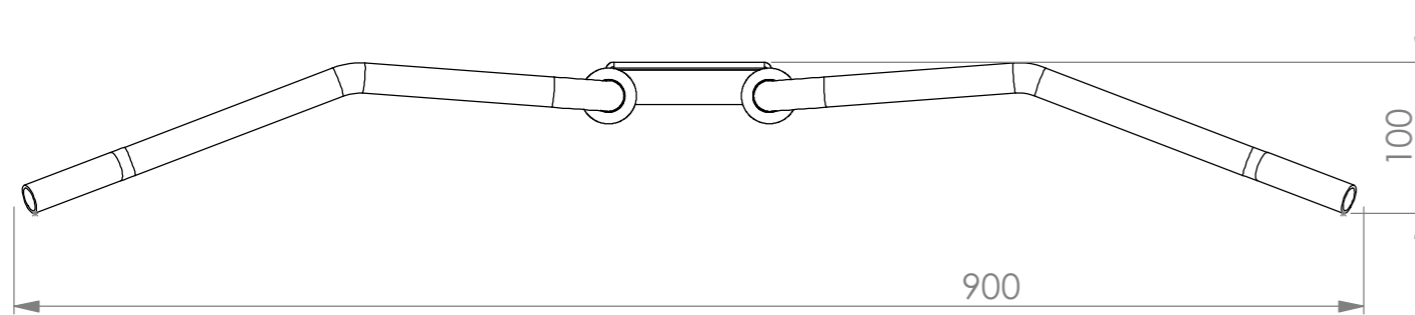


Broad

Narrow



Not in use



UNLESS OTHERWISE SPECIFIED: DIMENSIONS ARE IN MILLIMETERS		FINISH:		DEBURR AND BREAK SHARP EDGES		DO NOT SCALE DRAWING		REVISION	
SURFACE FINISH:									
TOLERANCES:									
LINEAR:									
ANGULAR:									
DRAWN		NAME	SIGNATURE	DATE			TITLE:		
CHK'D									
APPVD									
MFG									
Q.A					MATERIAL:		DWG NO.		A3
							Bull Bike Hanger		
					WEIGHT: 1452.91		SCALE:1:5		SHEET 1 OF 1