



**pittman**<sup>®</sup>

## tuffbench™

**Product code: BH10**

- » Durable timber work surface that folds down for easy storage.
- » Folding legs secured with a chain when shut.
- » Ideal for fitting a chain vice and engineers vice to.

### Product features



Collapsible



Stackable



No detachable parts



Working load limit

300kg

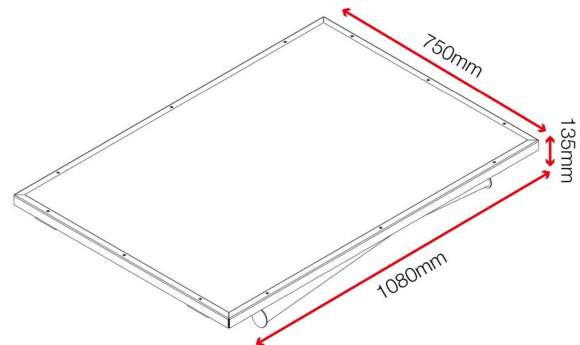


Suitable for site

### Product specifications

Weight	28kg
Colour	Jet black: RAL 9005, natural timber
Finished coating	Powder coated steel and compressed timber work surface
Material & thickness	Top 25mm and tube 36mm steel and timber
Quantity of keys	Not applicable
Does it have storage	No
How are castors fitted?	Bolted on

### Dimensions



### Optional extras - Contact Armorgard to find out more



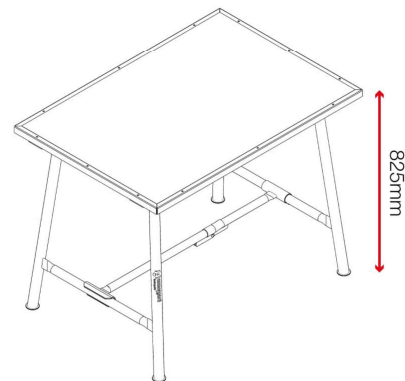
Engineers vice CV6



Chain vice CV4



Handle & wheel kit BH10-HW





# tuffbench+™

with handle and wheels fitted

Product code: BH10-HWF

- » Durable timber work surface that folds down for easy storage.
- » Wheels and handle for simple transportation.
- » Folding legs secured with a chain when shut.

## Product features



Collapsible



Stackable



Working load limit



Standard 80mm castors

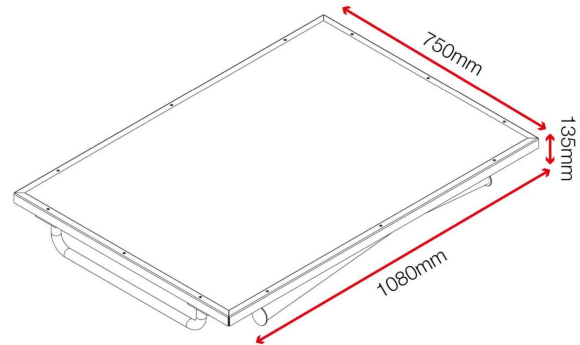


Suitable for site

## Product specifications

Weight	31kg
Colour	Jet black: RAL 9005, natural timber
Finished coating	Powder coated steel and compressed timber work surface
Material & thickness	Top 25mm and tube 36mm steel and timber
Quantity of keys	Not applicable
Does it have storage	No
How are castors fitted?	Bolted on

## Dimensions



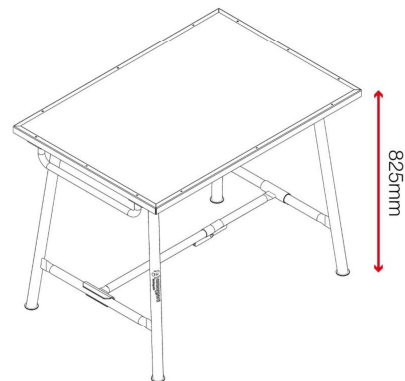
## Optional extras - Contact Armorgard to find out more



Engineers vice CV6



Chain vice CV4





# tuffbench™

with handle, wheel & vices fitted

Product code: BH10-HWVF

- » Durable timber work surface that folds down for easy storage.
- » Fitted with wooden top, chain vice and engineers vice.
- » Folding legs secured with a chain when shut.

## Product features



Collapsible



Stackable



Working load limit



Standard 80mm castors

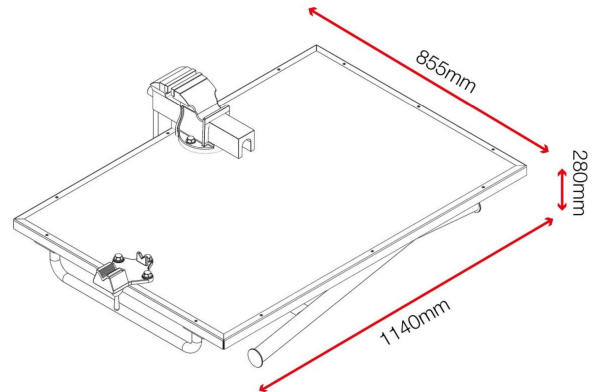


Suitable for site

## Product specifications

Weight	58kg
Colour	Jet black: RAL 9005, natural timber
Finished coating	Powder coated steel and compressed timber work surface
Material & thickness	N/A steel and timber
Quantity of keys	Not applicable
Does it have storage	No
How are castors fitted?	Bolted on

## Dimensions



## Related products - Contact Armorgard to find out more



Mobile TuffBench MBH12



TuffBench BH10



TuffBank TB2



CuttingStation SS7

