



v-kart[™]

Product code: VK2

- » Built to easily manoeuvre long lengths of material.
- » Strong, lightweight design to endure tough environments.
- » Easy-fit handle reduces back strain.

Product features



Puncture-proof
tyres



Working load limit
500kg



No detachable
parts



Built in handles

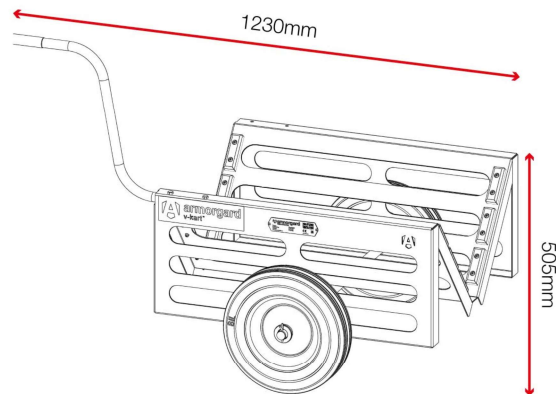
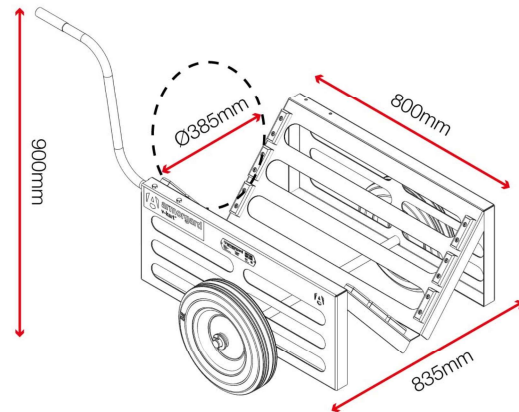


Suitable for site

Product specifications

Weight	35kg
Colour	Traffic red: RAL 3020
Finished coating	Powder coated
Material & thickness	2mm steel
How are castors fitted?	Castor plates
Assembly required?	Yes

Dimensions



Related products - Contact Armorgard to find out more



LoadAll LA750



TurnTable TT1



FlexiKart FK2



BeamKart BK1