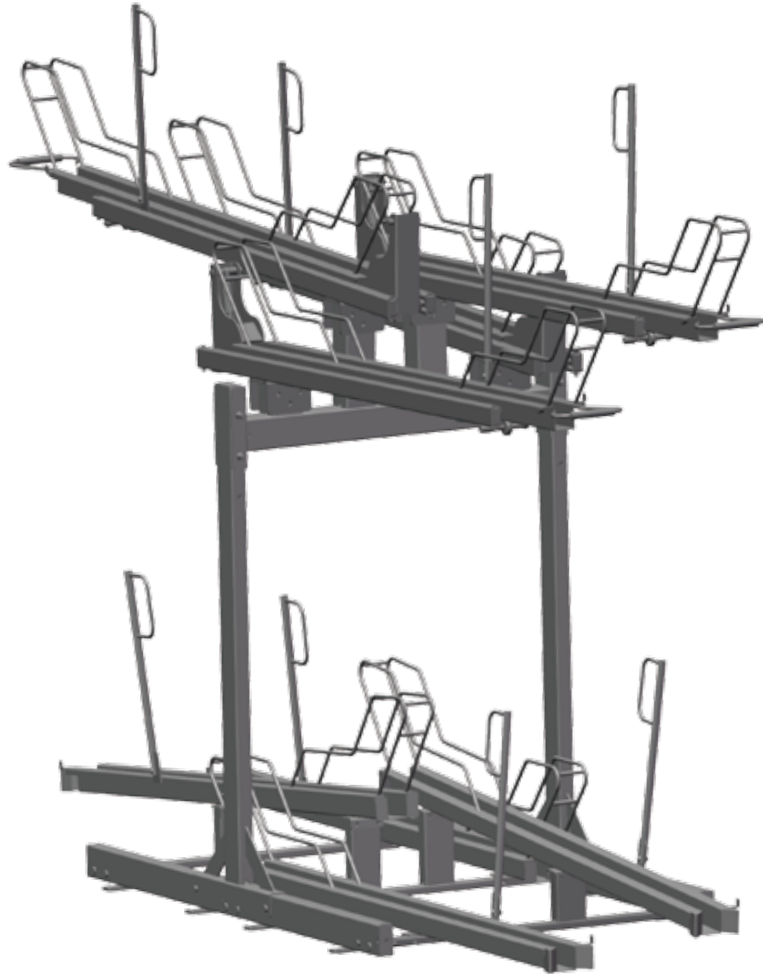


# Bike rack assembly 100-2222



## Step 1, Assemble side

### Parts

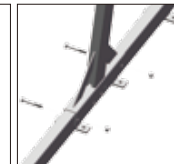
- 1x "20145- base" (171159)
- 1x "20145- column" (171158)
- 2x Bolt M10 x 70 mm
- 2x M10 nut

1:1-1:2, Assemble the parts

1:3, Attach the nuts loosely by hand



1:1



1:2



1:3



## Tools required

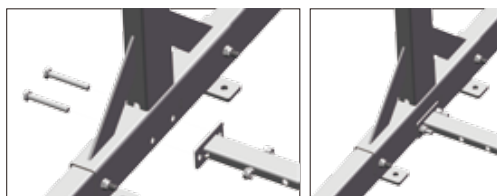
- |  |                                      |
|--|--------------------------------------|
| 1. Metal drill bit $\varnothing$ 10 mm   | 4. Ring spanners 16 and 17           |
| 2. Concrete drill bit $\varnothing$ 8 mm | 5. Nutrunner                         |
| 3. Socket wrenches 16 and 17             | 6. Hammer drill for fastening to flo |

### Step 2, Assemble lower centre beam

Parts

- 2x Parts from step 1
- 1x "20153-Twin" (171167)
- 4x Bolt M10 x 70 mm
- 4x M10 nut

- 2:1, Assemble the parts
- 2:2, Attach the nuts loosely by hand



2:1

2:2

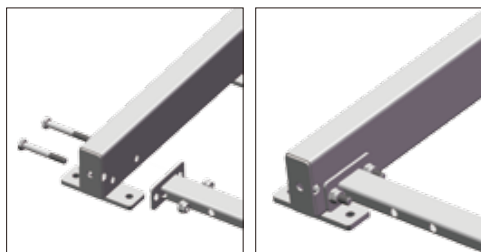


### Step 3, Assemble lower end beam

Parts

- Parts from step 2
- 2x "20154-Twin" (171168)
- 8x Bolt M10 x 70 mm
- 8x M10 nut

- 3:1, Assemble the parts
- 3:2, Attach the nuts loosely by hand



3:1

3:2



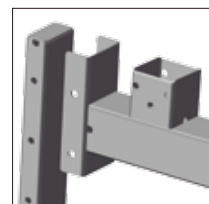
6 - 3

### Step 4, Assemble upper beam

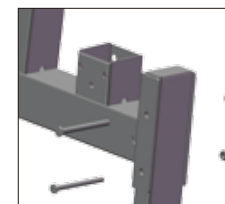
Parts

- Parts from step 3
- 1x "20152-Twin" (171166)
- 4x Bolt M10 x 110 mm
- 4x M10 nut

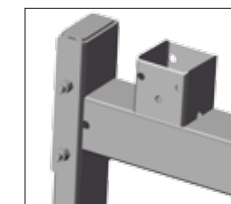
- 4:1-4:2, Assemble the parts
- 4:3, Attach the nuts loosely by hand



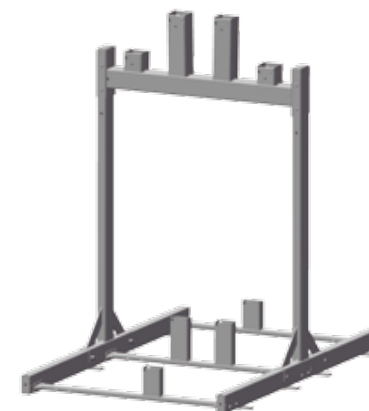
4:1



4:2



4:3



### Step 5, Assemble the lower rails

Parts

- Parts from step 4
- 4x "20011" (fixed rail)
- 16x Bolt M10 x 70 mm
- 16x M10 nut

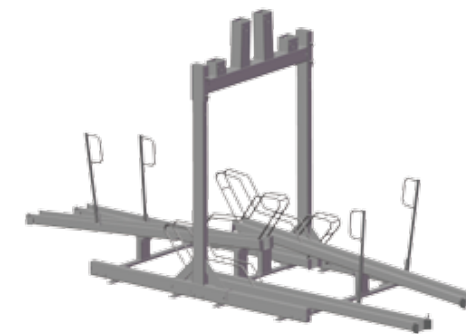
- 5:1, Assemble the parts
- 5:2, Attach the nuts loosely by hand



5:1



5:2



6 - 4

### Step 6, Put the bike rack on its side and tighten all the nuts

Parts

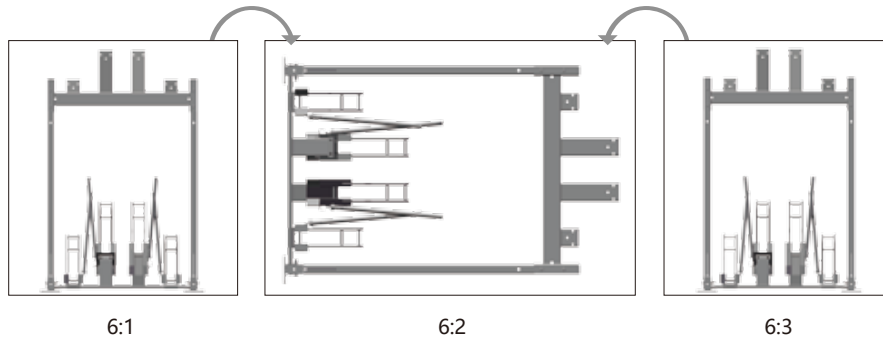
Parts from step 5

6:1, Parts from step 5

6:1, Put the bike rack on its side

6:2, Tighten all the nuts

6:3, Set the bike rack upright



### Step 7, Bolt the bike rack to the floor

Parts

Complete bike rack

at least 8x bolt, depending on the floor material



### Step 8, Assemble the upper rails

Parts

Parts from step 7

4x "20005" (extendable rail)

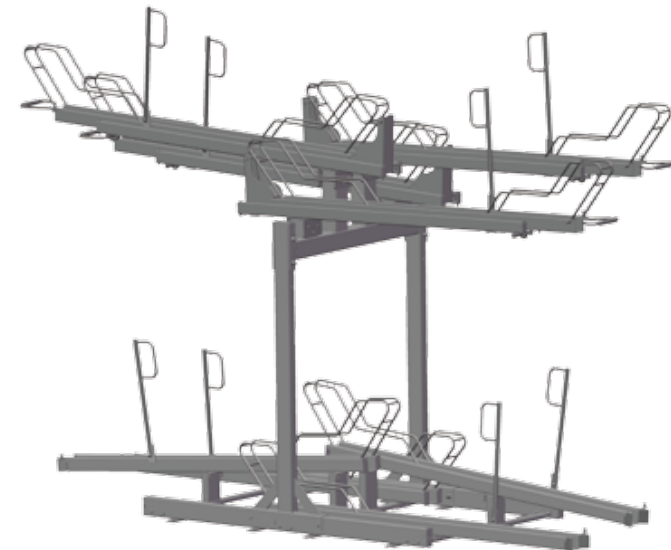
12x Bolt M10 x 110 mm

12x M10 nut

8:1-8:2, Assemble the parts

8:3, Tighten the nuts

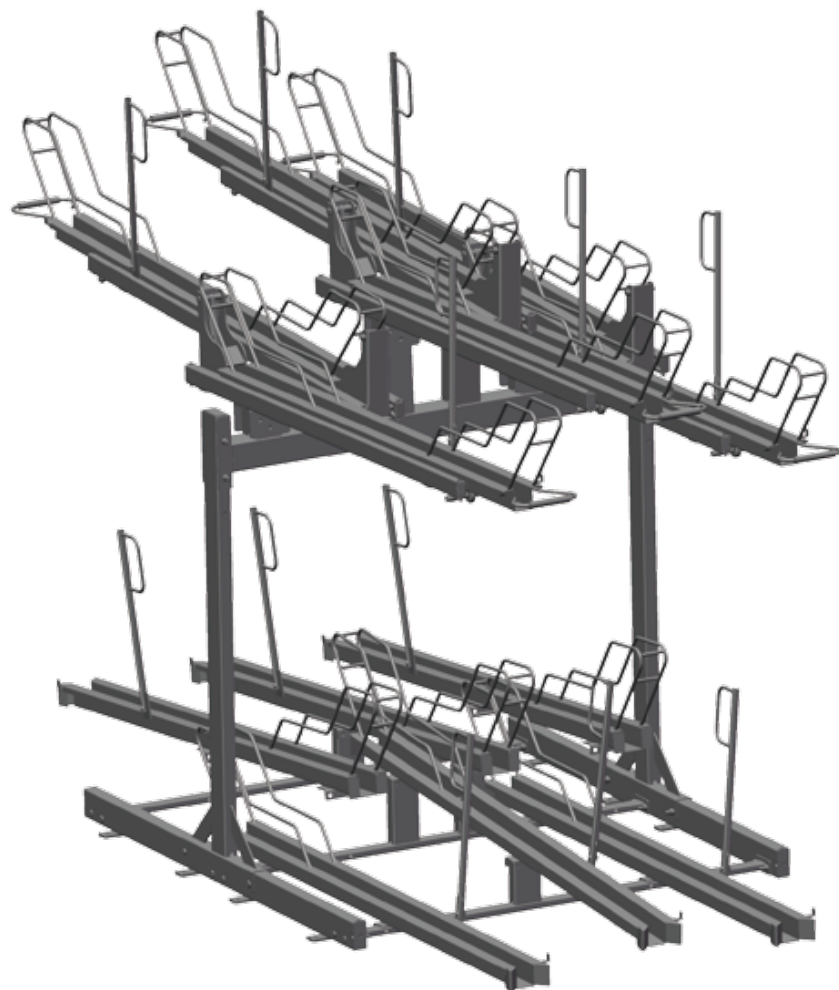
8:4, Tighten all the nuts



# Done!

6 - 6

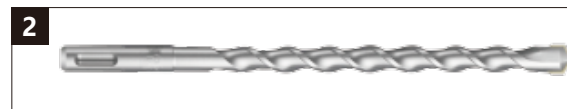
# Bike rack assembly 100-3333



## Tools required

- |  |  |
|--|--|
| 1. Metal drill bit $\varnothing 10$ mm   | 4. Ring spanners 16 and 17             |
| 2. Concrete drill bit $\varnothing 8$ mm | 5. Nutrunner                           |
| 3. Socket wrenches 16 and 17             | 6. Hammer drill for fastening to floor |

6 - 1



## Step 1, Assemble side

Parts

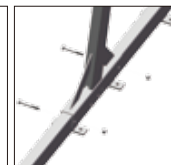
- 1x "20145- base" (171159)
- 1x "20145- column" (171158)
- 2x Bolt M10 x 70 mm
- 2x M10 nut

1:1-1:2, Assemble the parts

1:3, Attach the nuts loosely by hand



1:1



1:2



1:3



6 - 2

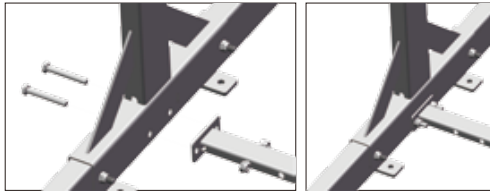


### Step 2, Assemble lower centre beam

Parts

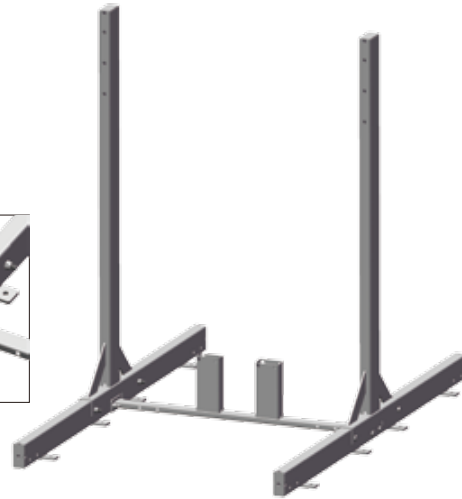
- 2x Parts from step 1
- 1x "20150-Twin" (171164)
- 4x Bolt M10 x 70 mm
- 4x M10 nut

- 2:1, Assemble the parts
- 2:2, Attach the nuts loosely by hand



2:1

2:2

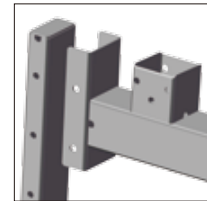


### Step 4, Assemble upper beam

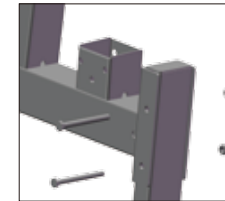
Parts

- Parts from step 3
- 1x "20149-Twin" (171163)
- 4x Bolt M10 x 110 mm
- 4x M10 nut

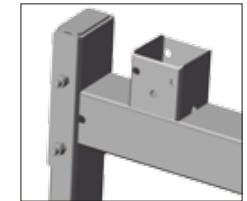
- 4:1-4:2, Assemble the parts
- 4:3, Attach the nuts loosely by hand



4:1



4:2



4:3

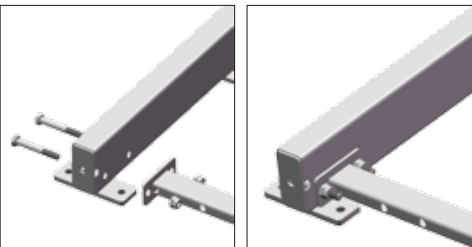


### Step 3, Assemble lower end beam

Parts

- Parts from step 2
- 2x "20151-Twin" (171165)
- 8x Bolt M10 x 70 mm
- 8x M10 nut

- 3:1, Assemble the parts
- 3:2, Attach the nuts loosely by hand



3:1

3:2



### Step 5, Assemble the lower rails

Parts

- Parts from step 4
- 6x "20011" (fixed rail)
- 24x Bolt M10 x 70 mm
- 24x M10 nut

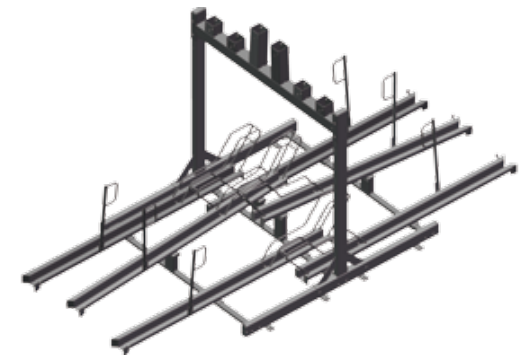
- 5:1, Assemble the parts
- 5:2, Attach the nuts loosely by hand



5:1



5:2



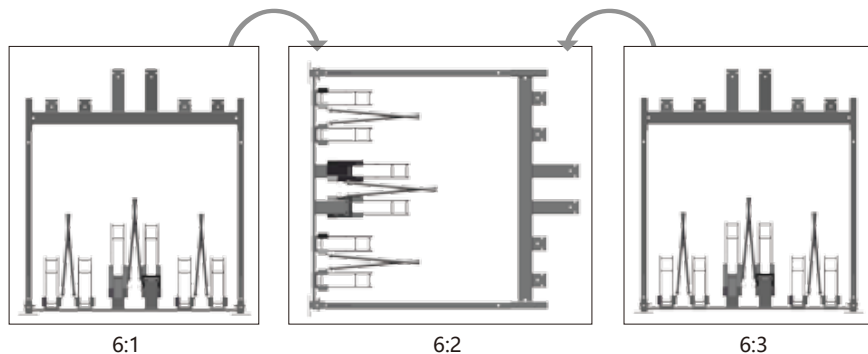
### Step 6, Put the bike rack on its side and tighten all the nuts

Parts

Parts from step 5

6:1, Put the bike rack on its side

6:2, Tighten all the nuts

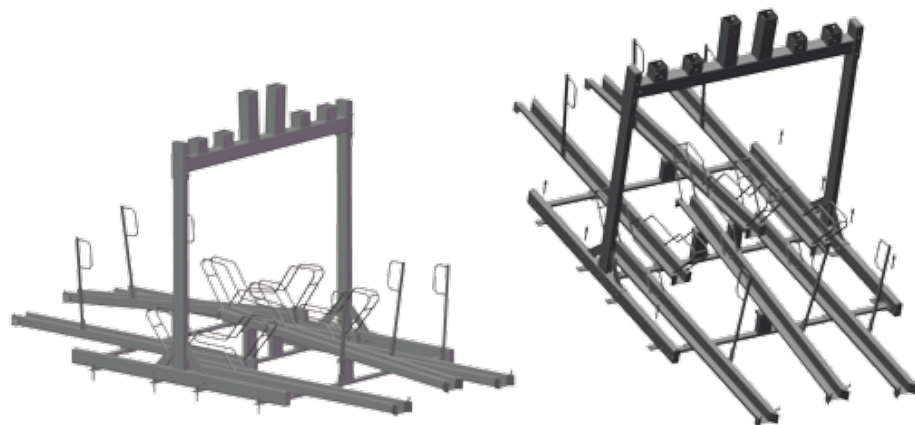


### Step 7, Bolt the bike rack to the floor

Parts

Complete bike rack

at least 8x bolt, depending on the floor material



### Step 8, Assemble the upper rails

Parts

Parts from step 7

6x "20005" (extendable rail)

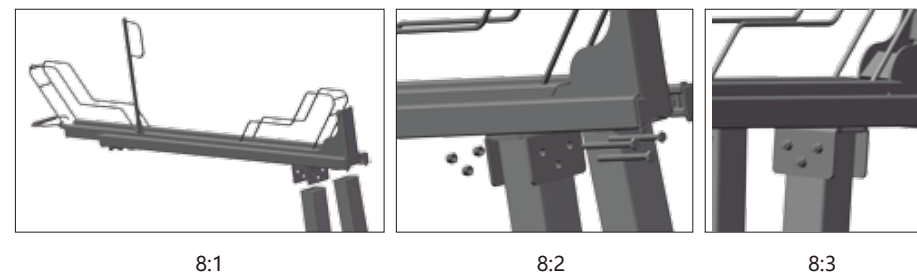
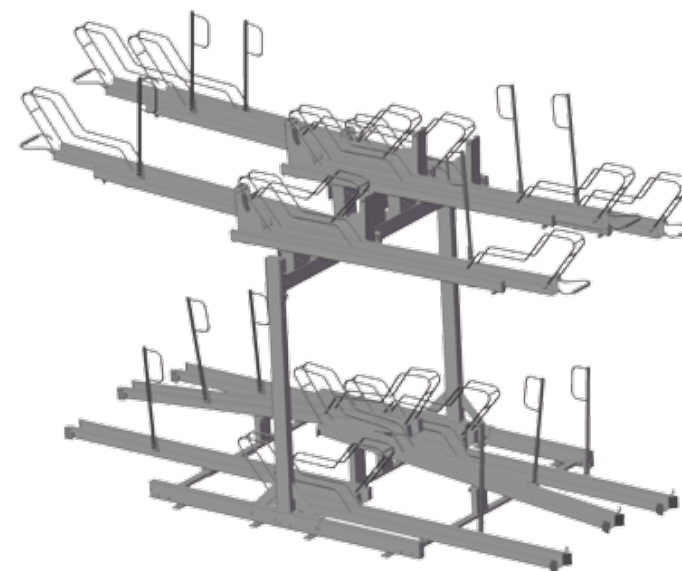
18x Bolt M10 x 110 mm

18x M10 nut

8:1-8:2, Assemble the parts

8:3, Tighten the nuts

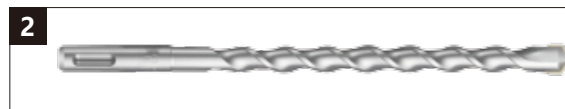
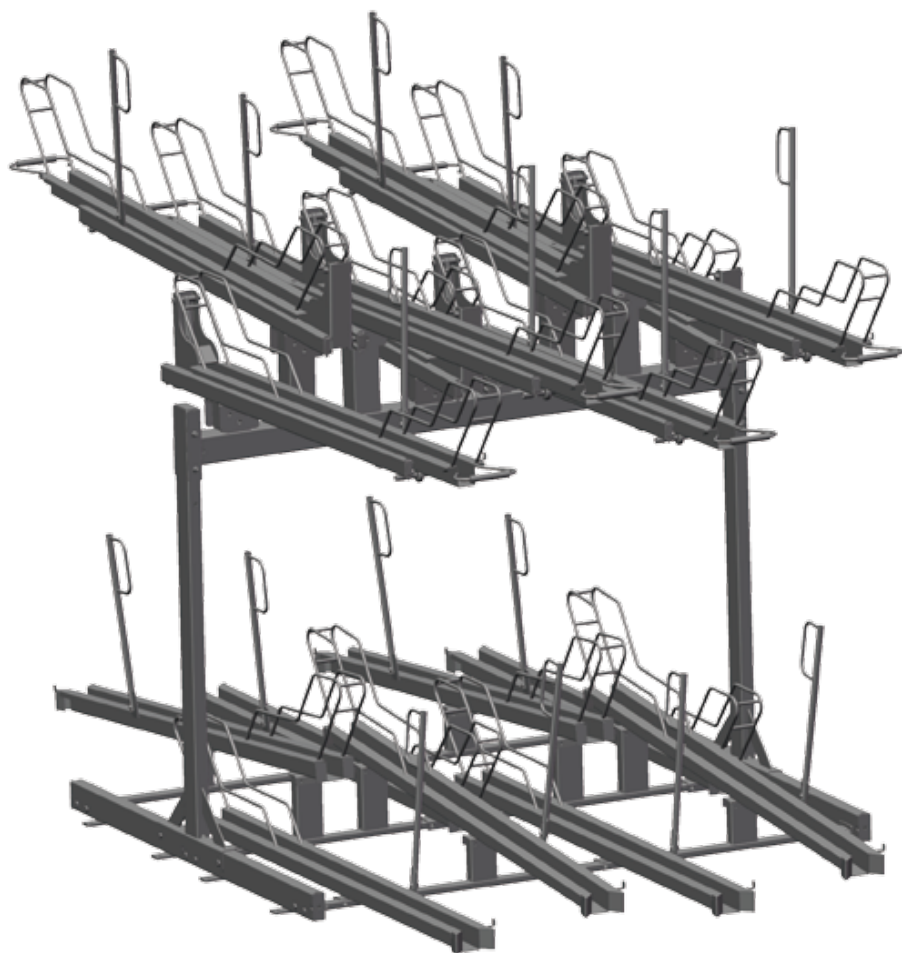
8:4, Tighten all the nuts



# Done!

6 - 6

# Bike rack assembly 100-4444



## Tools required

- 1. Metal drill bit  $\varnothing 10$  mm
- 2. Concrete drill bit  $\varnothing 8$  mm
- 3. Socket wrenches 16 and 17

- 4. Ring spanners 16 and 17
- 5. Nutrunner
- 6. Hammer drill for fastening to floor

6 - 1

### Step 1, Assemble side

Parts

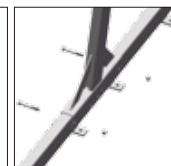
- 1x "20145- base" (171159)
- 1x "20145- column" (171158)
- 2x Bolt M10 x 70 mm
- 2x M10 nut

1:1-1:2, Assemble the parts

1:3, Attach the nuts loosely by hand



1:1



1:2



1:3



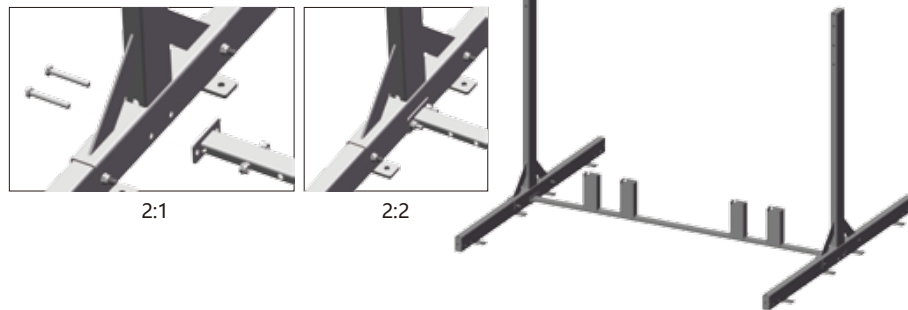
6 - 2

## Step 2, Assemble lower centre beam

### Parts

- 2x Parts from step 1
- 1x "20147-Twin" (171161)
- 4x Bolt M10 x 70 mm
- 4x M10 nut

- 2:1, Assemble the parts
- 2:2, Attach the nuts loosely by hand

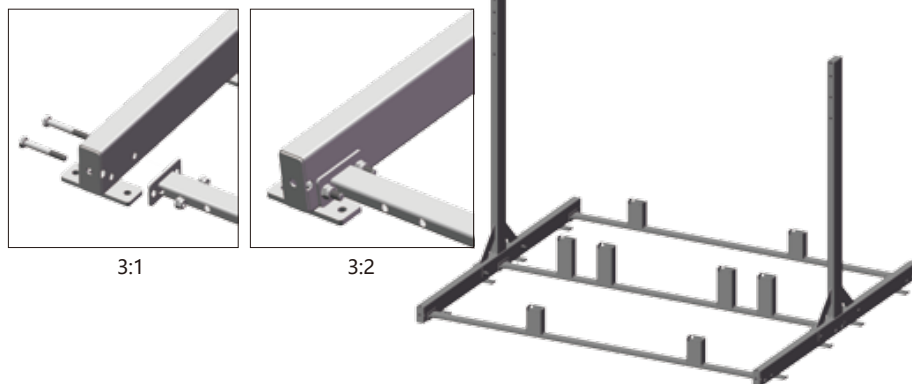


## Step 3, Assemble lower end beam

### Parts

- Parts from step 2
- 2x "20148-Twin" (171162)
- 8x Bolt M10 x 70 mm
- 8x M10 nut

- 3:1, Assemble the parts
- 3:2, Attach the nuts loosely by hand



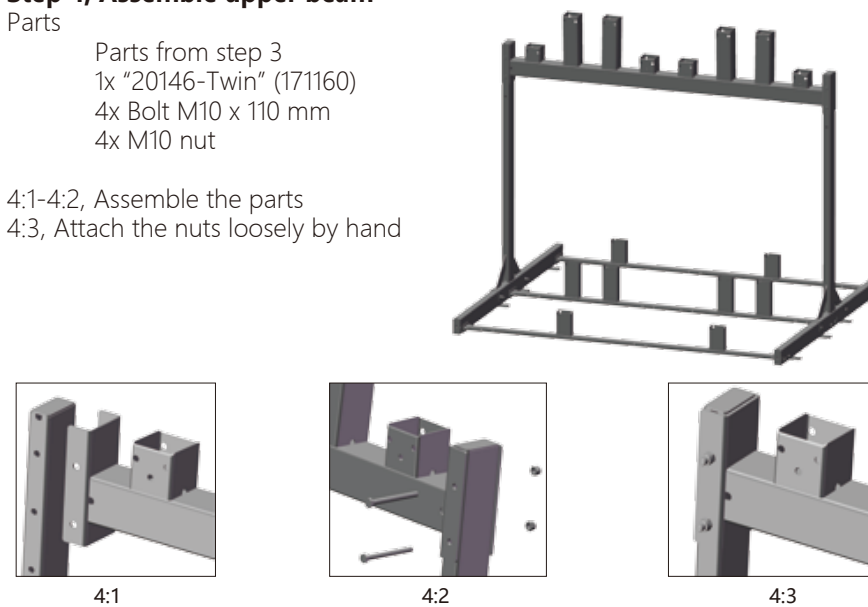
6 - 3

## Step 4, Assemble upper beam

### Parts

- Parts from step 3
- 1x "20146-Twin" (171160)
- 4x Bolt M10 x 110 mm
- 4x M10 nut

- 4:1-4:2, Assemble the parts
- 4:3, Attach the nuts loosely by hand

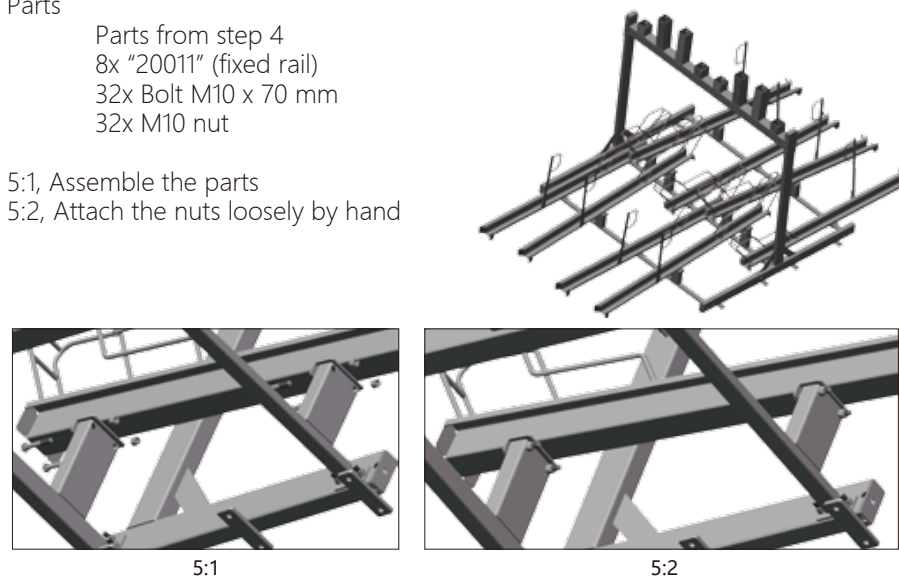


## Step 5, Assemble the lower rails

### Parts

- Parts from step 4
- 8x "20011" (fixed rail)
- 32x Bolt M10 x 70 mm
- 32x M10 nut

- 5:1, Assemble the parts
- 5:2, Attach the nuts loosely by hand



6 - 4



### Step 6, Put the bike rack on its side and tighten all the nuts

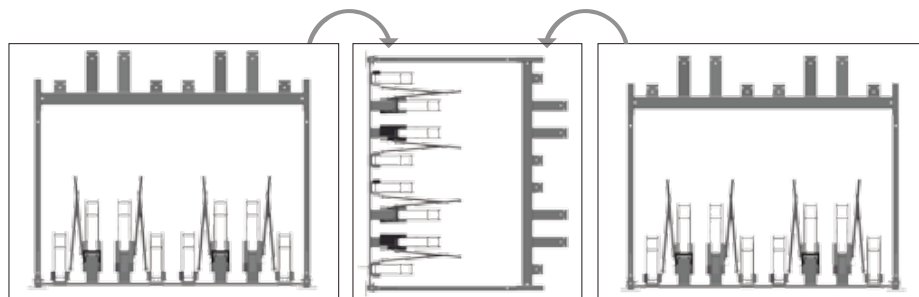
Parts

Parts from step 5

Parts from step 5

6:1, Put the bike rack on its side

6:2, Tighten all the nuts



6:1

6:2

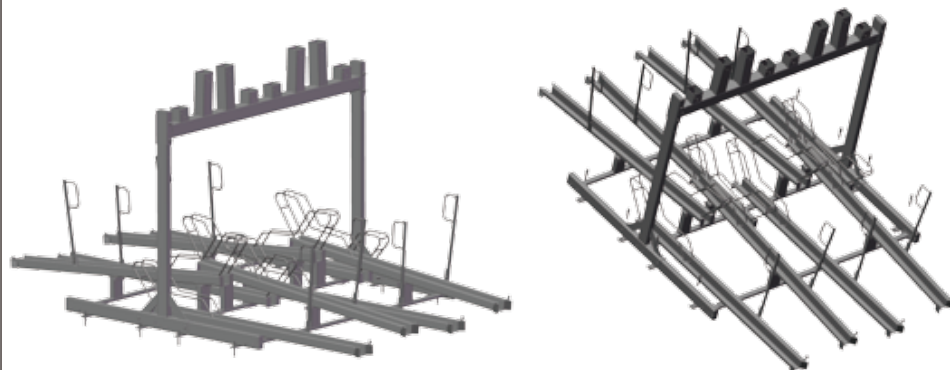
6:3

### Step 7, Bolt the bike rack to the floor

Parts

Complete bike rack

at least 8x bolt, depending on the floor material



6 - 5

### Step 8, Assemble the upper rails

Parts

Parts from step 7

8x "20005" (extendable rail)

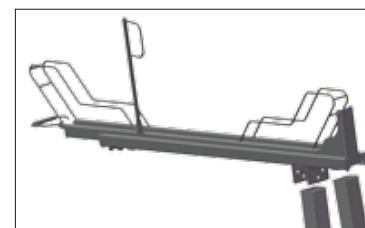
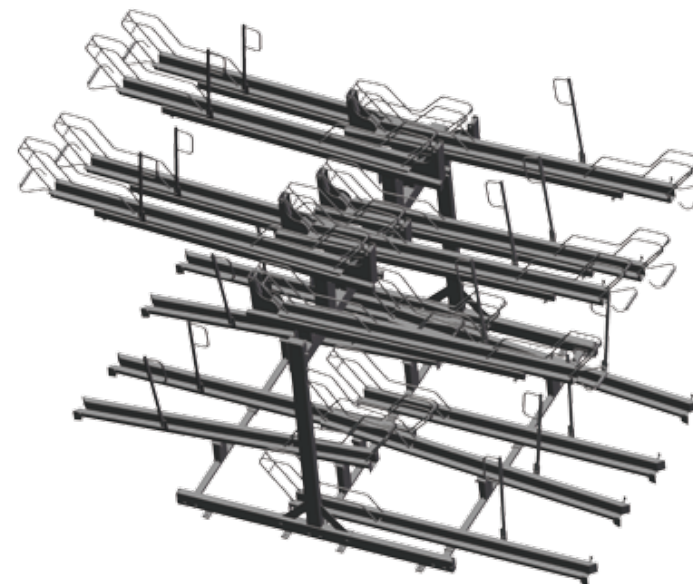
24x Bolt M10 x 110 mm

24x M10 nut

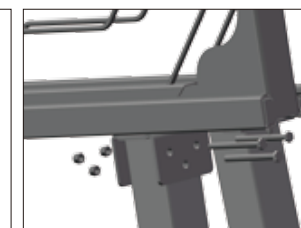
8:1-8:2, Assemble the parts

8:3, Tighten the nuts

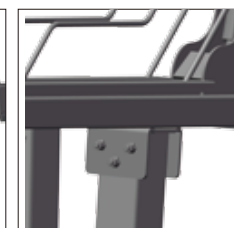
8:4, Tighten all the nuts



8:1



8:2



8:3

# Done!

6 - 6