



Product Code: 714020

# DOUBLEDECK™ TWO-TIER BIKE RACK

Space-saving bike storage with minimal maintenance

**pittman**®

## OVERVIEW

The DoubleDeck Two Tier Bike Rack offers a practical solution for maximising bike storage while ensuring user safety. Its innovative design allows for smooth, easy access, making it simple to store bikes without strain.

The durable, long-lasting construction is built to withstand the elements, reducing the need for frequent upkeep. With an easy installation process, it can be securely fixed in place, ensuring stability in busy areas.

This bike rack is designed to minimise maintenance, making it a cost-effective, reliable option for facilities that need efficient, hassle-free bike storage.

## PRODUCT FEATURES

- Smooth operation - 1400N gas spring for smooth, silent use
- Stable - spring-loaded struts for safe and easy bike access
- Long-lasting - hot-dip galvanised steel with corrosion resistance
- Easy install - bolts directly into the ground via base plates
- Minimal maintenance - won't require regular maintenance or repairs

## TECHNICAL DATA

SPECIFICATION	4-BIKE CAPACITY	8-BIKE CAPACITY
SKU:	714021	714020
Material:	Hot-dip galvanised steel - BS EN ISO 1461: 2009 compliant	
Color:	Plain steel	
Height:	1890mm	
Width:	910mm	1360mm
Depth:	1861mm	
Max tyre width:	65mm	
Recommended installation fixings (not included):	14 no. M10 x 100 expansion bolts	18 no. M10 x 100 expansion bolts
Applications:	Medium to large scale bike parking facilities, underground bike parking, schools, colleges, business premises, train stations	

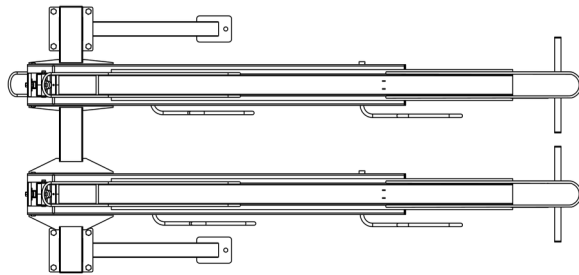
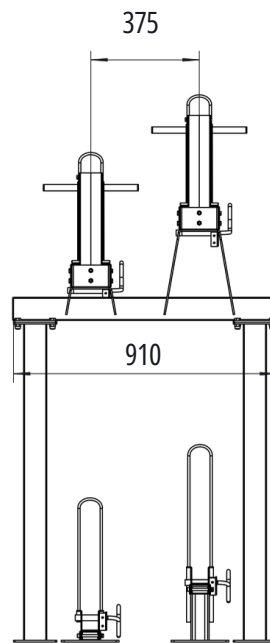
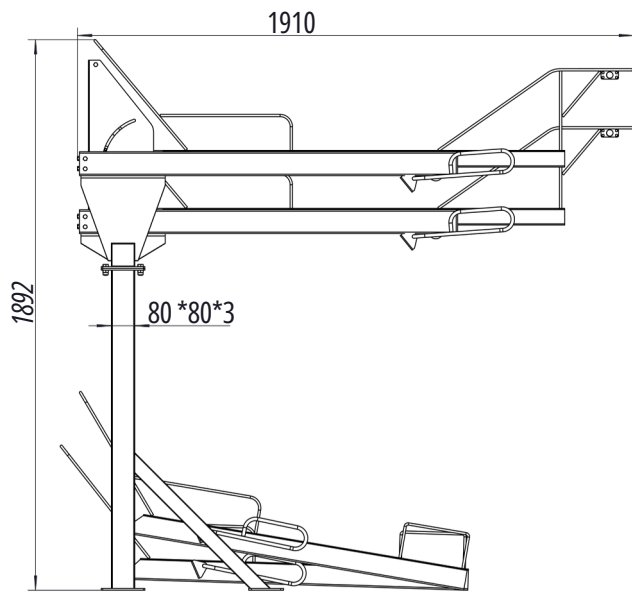


### ASSEMBLY GUIDE

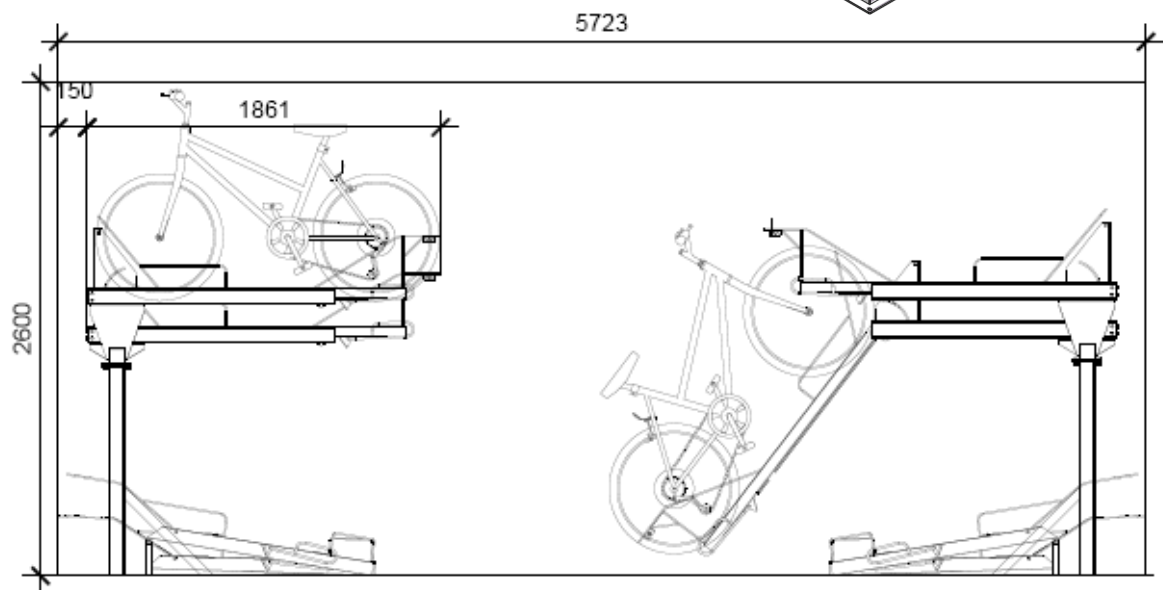
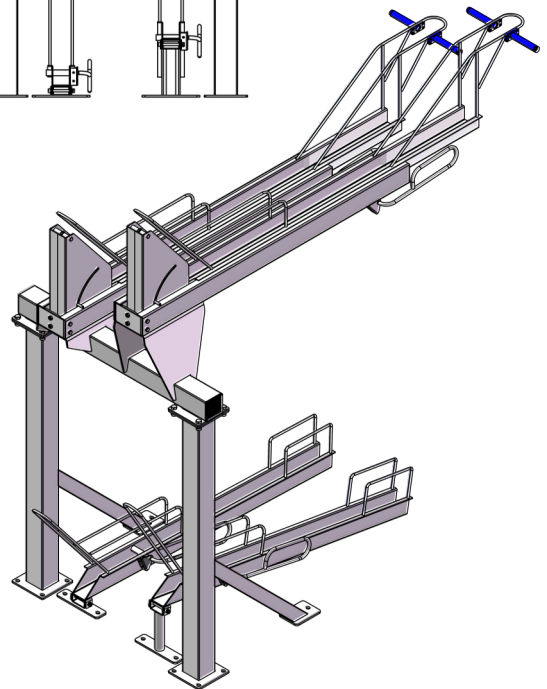
See our assembly guide, for full instructions on assembling our DoubleDeck™ Two-Tier Bike Rack.

[DOWNLOAD THE GUIDE](#)

# TECHNICAL DRAWINGS

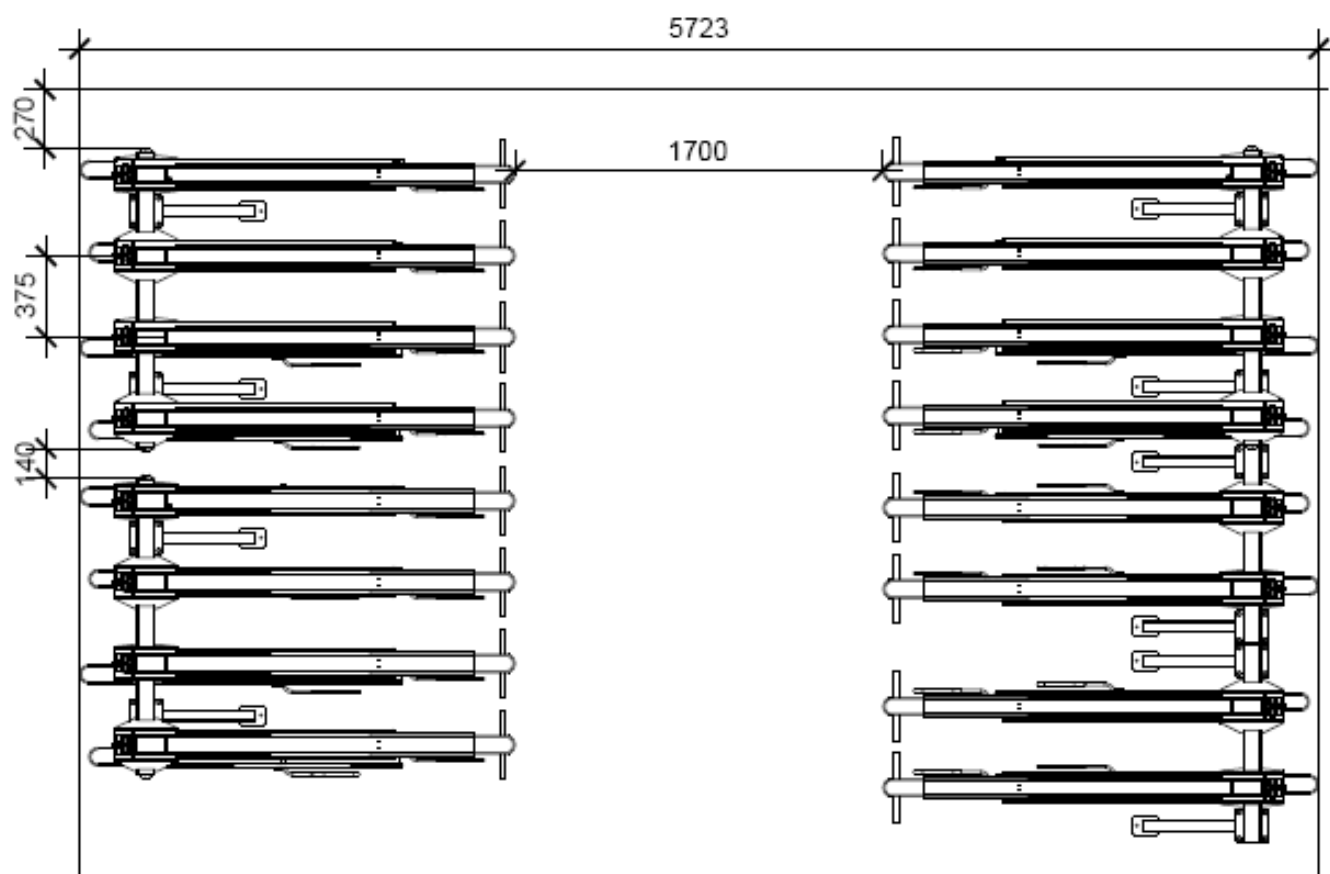


1861



## RECOMMENDED SPACING

SPECIFICATION	DETAILS
Minimum ceiling height:	2600mm
Minimum aisle width:	1700mm
Optimum aisle width:	2000mm
Minimum centre to centre spacing for bike racks:	375mm
Minimum frame to be offset from wall:	120mm
Optimum frame to be offset from wall:	150mm
Minimum offset from corner:	270mm
Gap needed for 2 sets of 8:	140mm



# RECOMMENDED SPACING

