

Product Specification Sheet

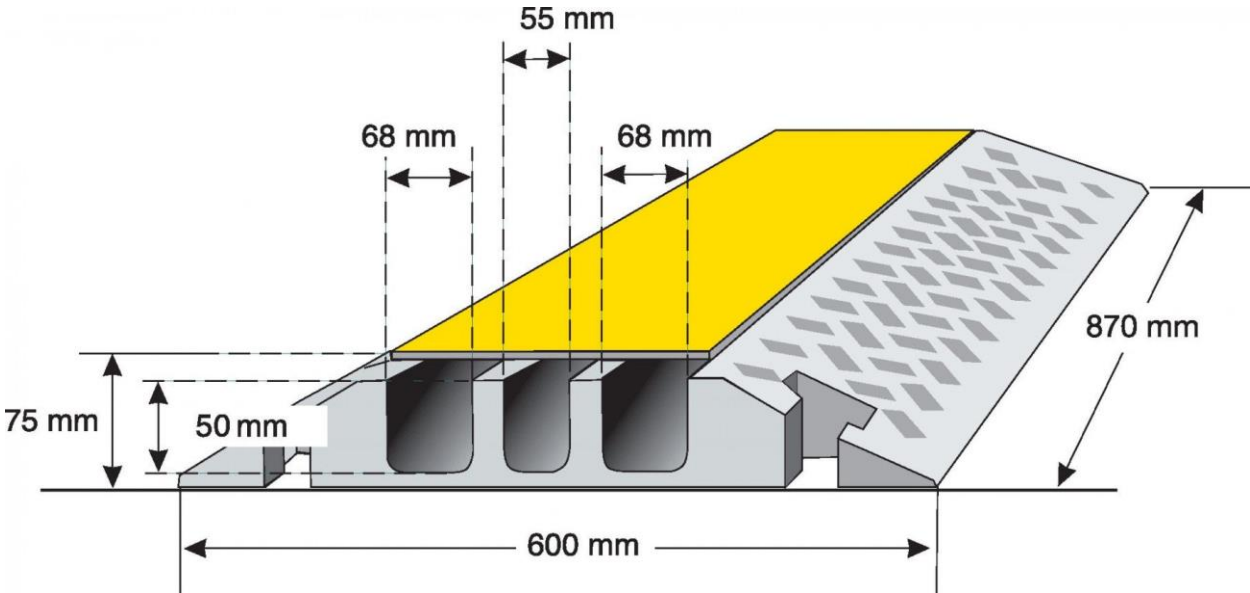
Product name – HR2 Cable Protection Ramp



Manufacturer / Brand	Moravia
Warranty	1 year manufacturer's warranty
Material	Hard rubber body with polypropylene lid
Dimensions	Main Section: 960(overall length) x 600(W) x 75mm(H)mm Angled Section: 500(overall length) x 600(W) x 75(H)mm Male End Section: 220(L) x 600(W) x 75(H)mm Female End Section: 230(L) x 600(W) x 75(H)mm
Weight	Main Section: 26.5kg Angled Section: 12kg End Section: 3kg
Channels	3 channels: 2 channels 68 x 50mm and 1 channel 55 x 50mm
Features	Three top loading channels for cables/hoses Heat resistance between -20°C to +60°C Anti-slip hinged top panel Interlocking design feature 10 tonne weight limit per vehicle axle Speed limited to 5mph

Ireland:
B2 Athy Business Campus
Athy, Co. Kildare R14 PK74
Ph: 01 531 2777
Email: sales@pittman.ie

United Kingdom:
1310 Solihull Parkway, Birmingham Business Park
Birmingham B37 7YB
Ph: 0121 630 3527
sales@pittman.uk



Ireland:
B2 Athy Business Campus
Athy, Co. Kildare R14 PK74
Ph: 01 531 2777
Email: sales@pittman.ie

United Kingdom:
1310 Solihull Parkway, Birmingham Business Park
Birmingham B37 7YB
Ph: 0121 630 3527
sales@pittman.uk