

Product Specification Sheet

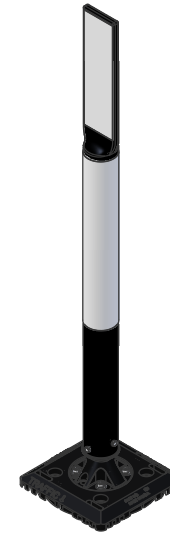
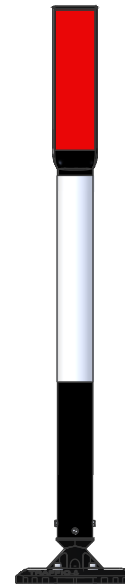
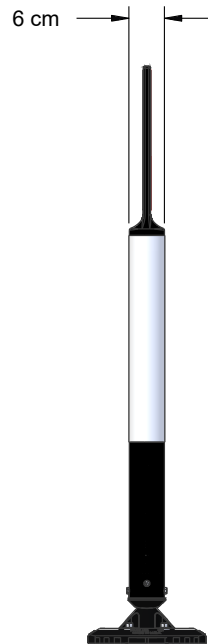
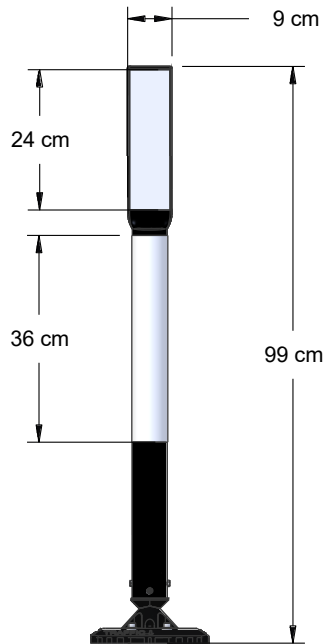
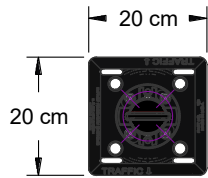
Product name – Impact Recovery Systems® Flex Post Delineator



Manufacturer / Brand	Impact Recovery Systems
Warranty	1 year manufacturer's warranty CE Certified
Material	Post: Polypropylene plastic with stainless steel spring Base: High density polyethylene (HDPE)
Components	Post inc. integral spring and base
Dimensions	Post: 990(H) x 60(Ø)mm (90mm wide at squeeze) Base: 200 x 200mm
Features	Highly reflective markings for better visibility Squeezed format allows more room for markings Bends on impact to reduce impact damage Comes with fixed base as standard – other base options available Easy installation – bolt down fast

Ireland:
B2 Athy Business Campus
Athy, Co. Kildare R14 PK74
Ph: 01 531 2777
Email: sales@pittman.ie

United Kingdom:
1310 Solihull Parkway, Birmingham Business Park
Birmingham B37 7YB
Ph: 0121 630 3527
sales@pittman.uk



IMPACT recovery
SYSTEMS™

CONFIDENTIAL & PROPRIETARY

The drawing on this print and the information therewith are property of Impact Recovery Systems, Inc., and shall not be used or discussed in whole or in part without the consent of Impact Recovery Systems, Inc.

4955 STOUT DR. · SAN ANTONIO, TX 78219 · (800) 736-5256

SIZE
A

PART NO.
MP2-39BM-HR-HW-F

DWG.
FLEX POST- SQUEEZED, 99CM

REV
1.0

SCALE

IMPACT RECOVERY SYSTEMS, INC.

DATE
17-MAR-2021