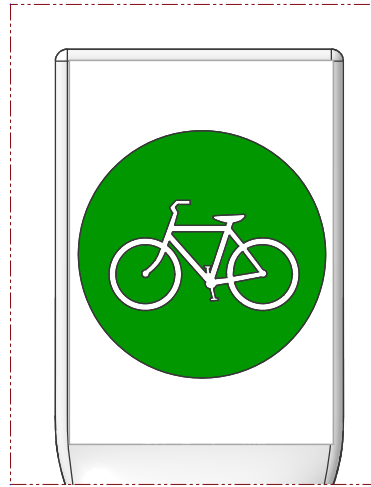
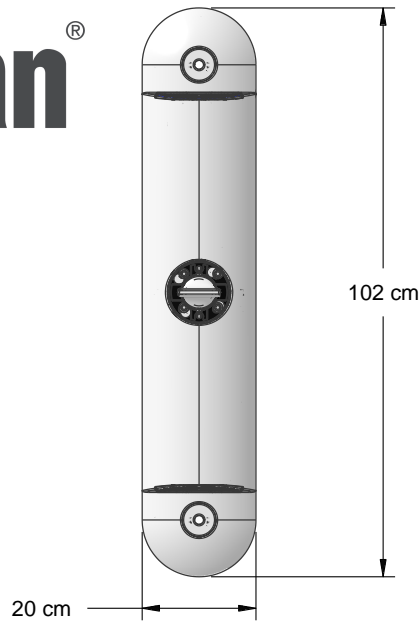
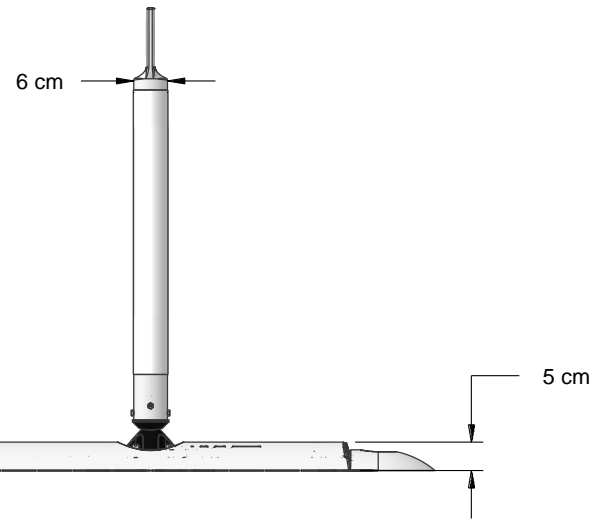
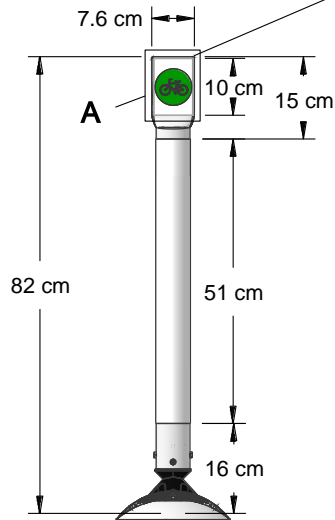
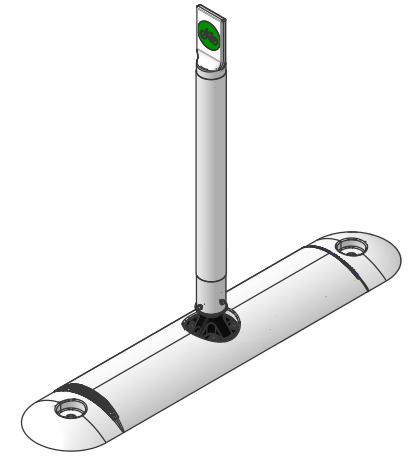


**pittman**<sup>®</sup>



Detail A



**IMPACT recovery**  
**SYSTEMS™**

CONFIDENTIAL & PROPRIETARY

The drawing on this print and the information therewith are property of Impact Recovery Systems, Inc., and shall not be used or discussed in whole or in part without the consent of Impact Recovery Systems, Inc.

4955 STOUT DR. · SAN ANTONIO, TX 78219 · (800) 736-5256

SIZE  
**A**

PART NO.  
MP2-80WM-HW50-F-BL

DWG.  
CYCLEMAX BOLLARD ON  
TUFF CURB XLP

REV  
1.0

SCALE

IMPACT RECOVERY SYSTEMS, INC.

DATE  
27-JUL-2020