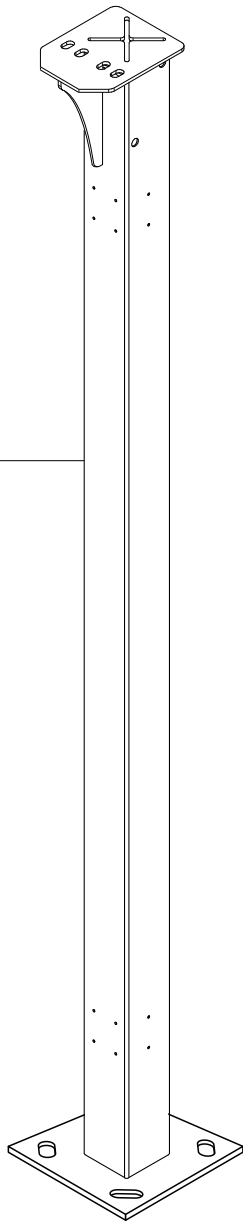


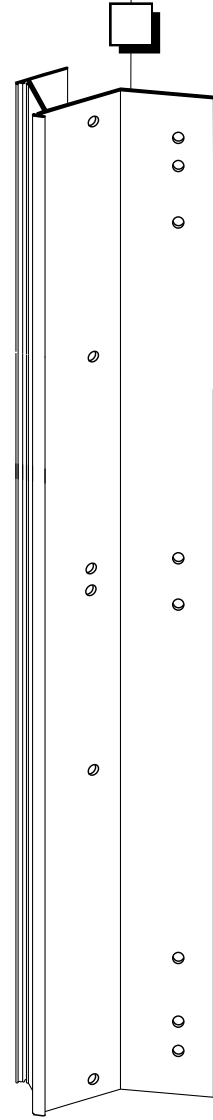
A 2 (x 2)
80x80x2330
SFI 529070-B



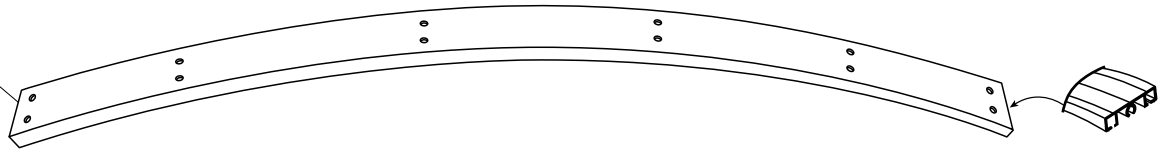
Y 3 (x 2)
2500
529040-01



M 3 (x 2)
2500
529071-02



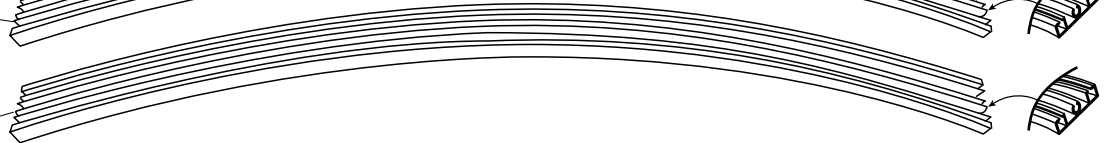
F 1 (x 2)
12xø10
SFI 529070-05



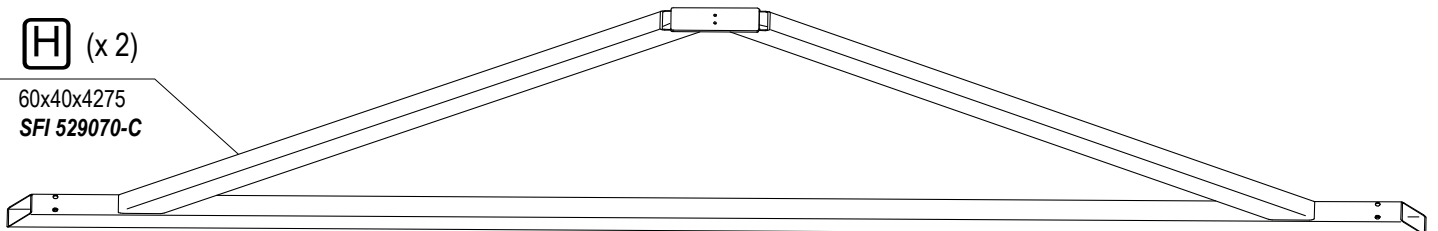
F 2 (x 2)
4xø10
SFI 529070-03

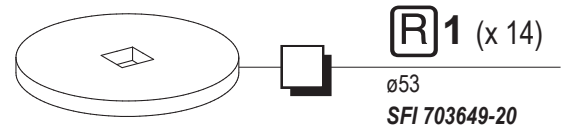
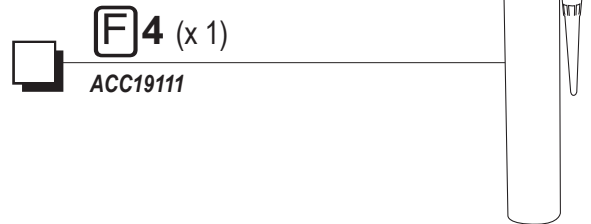
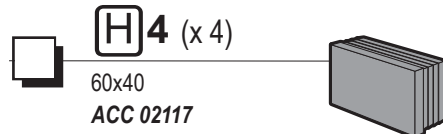
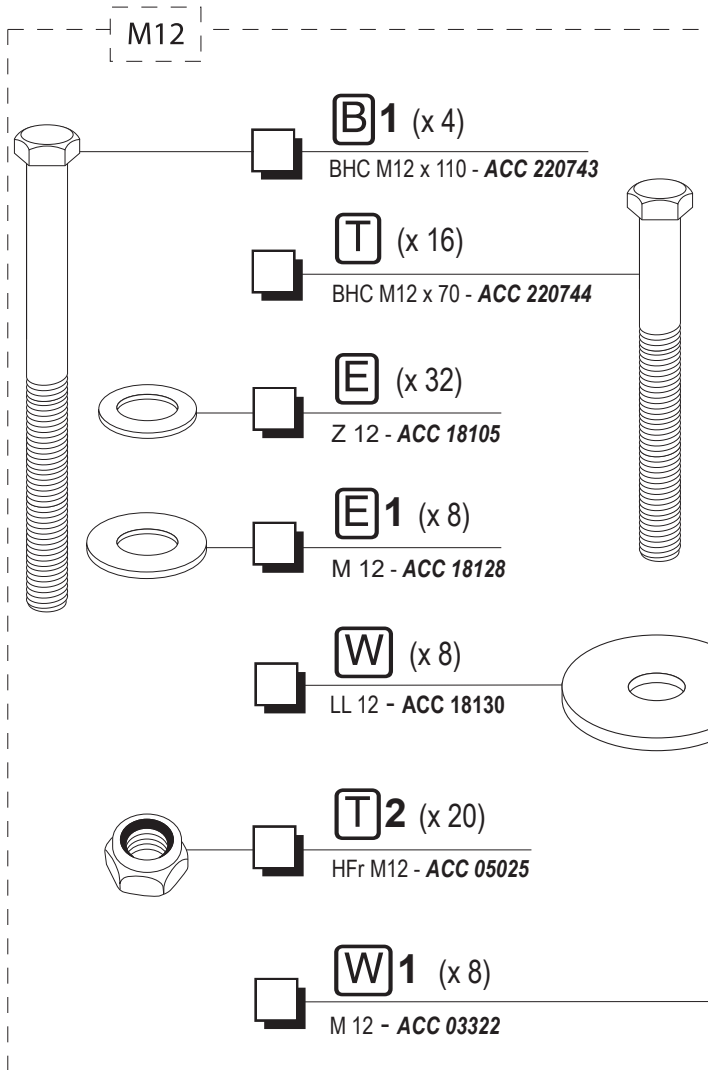
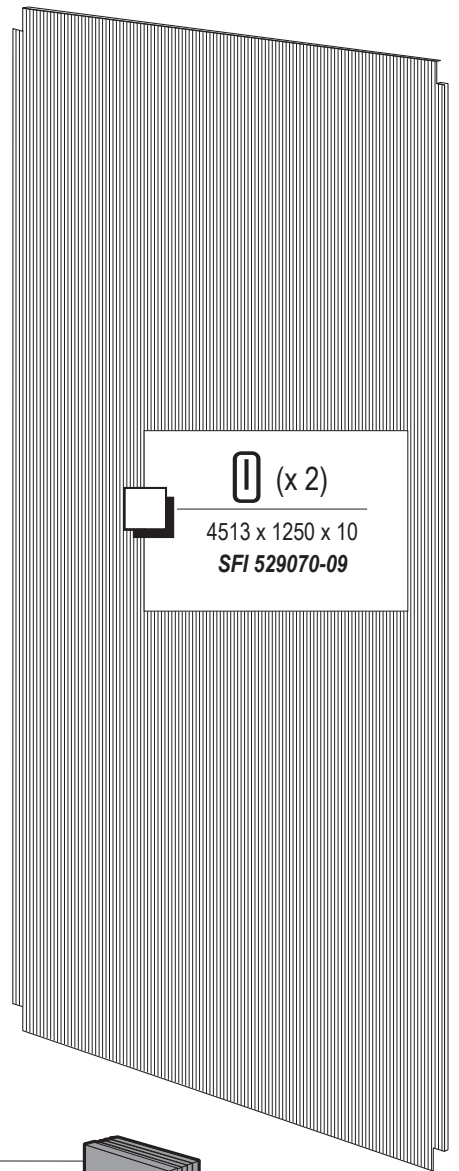
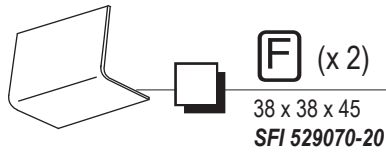
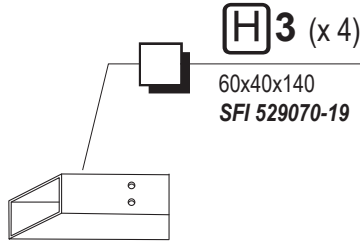
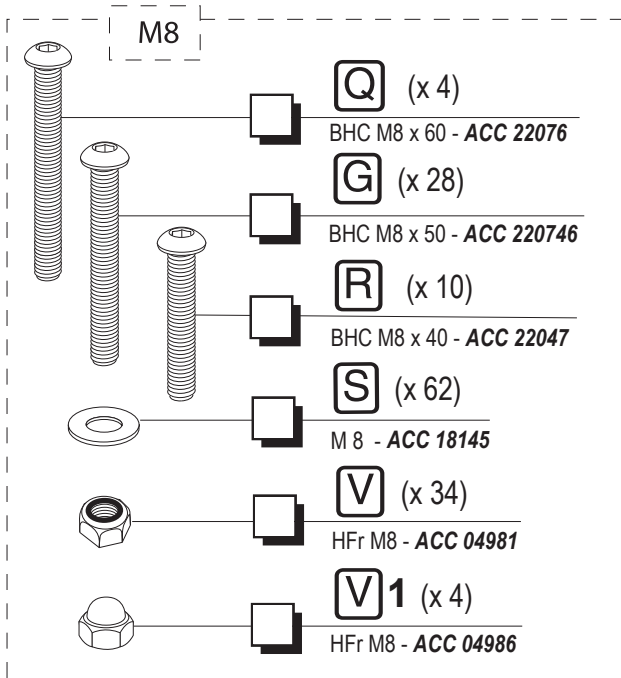
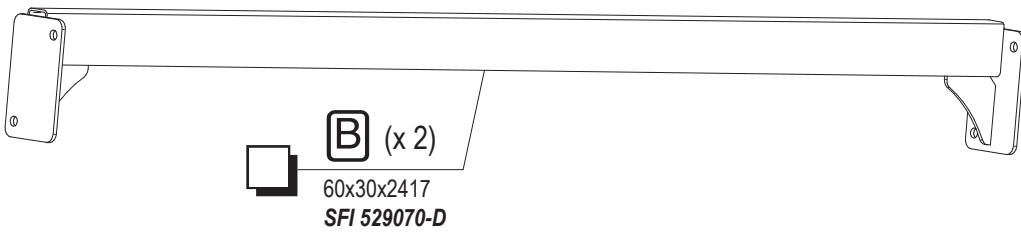


F 5 (x 2)
7xø10
SFI 529070-06

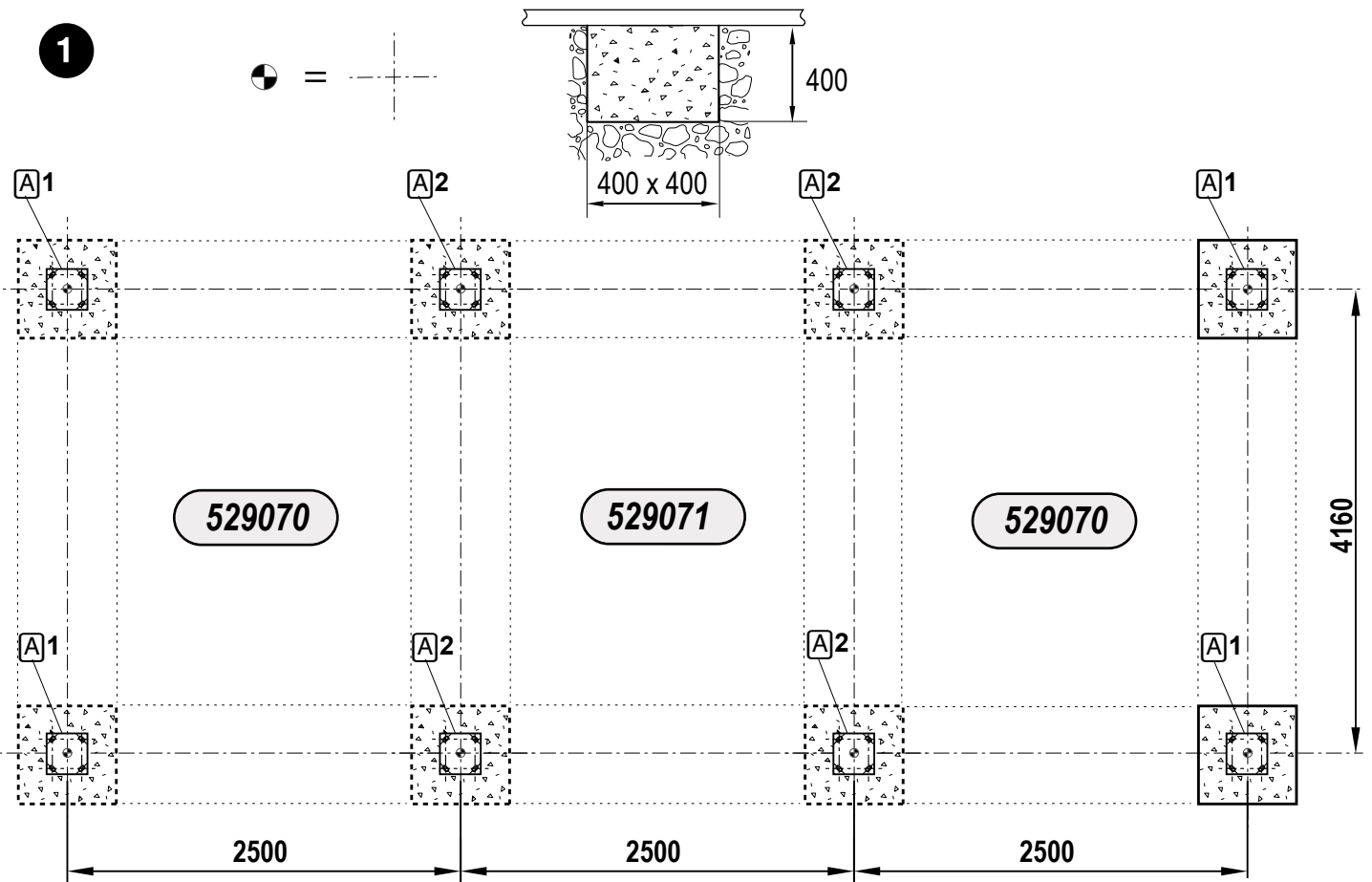
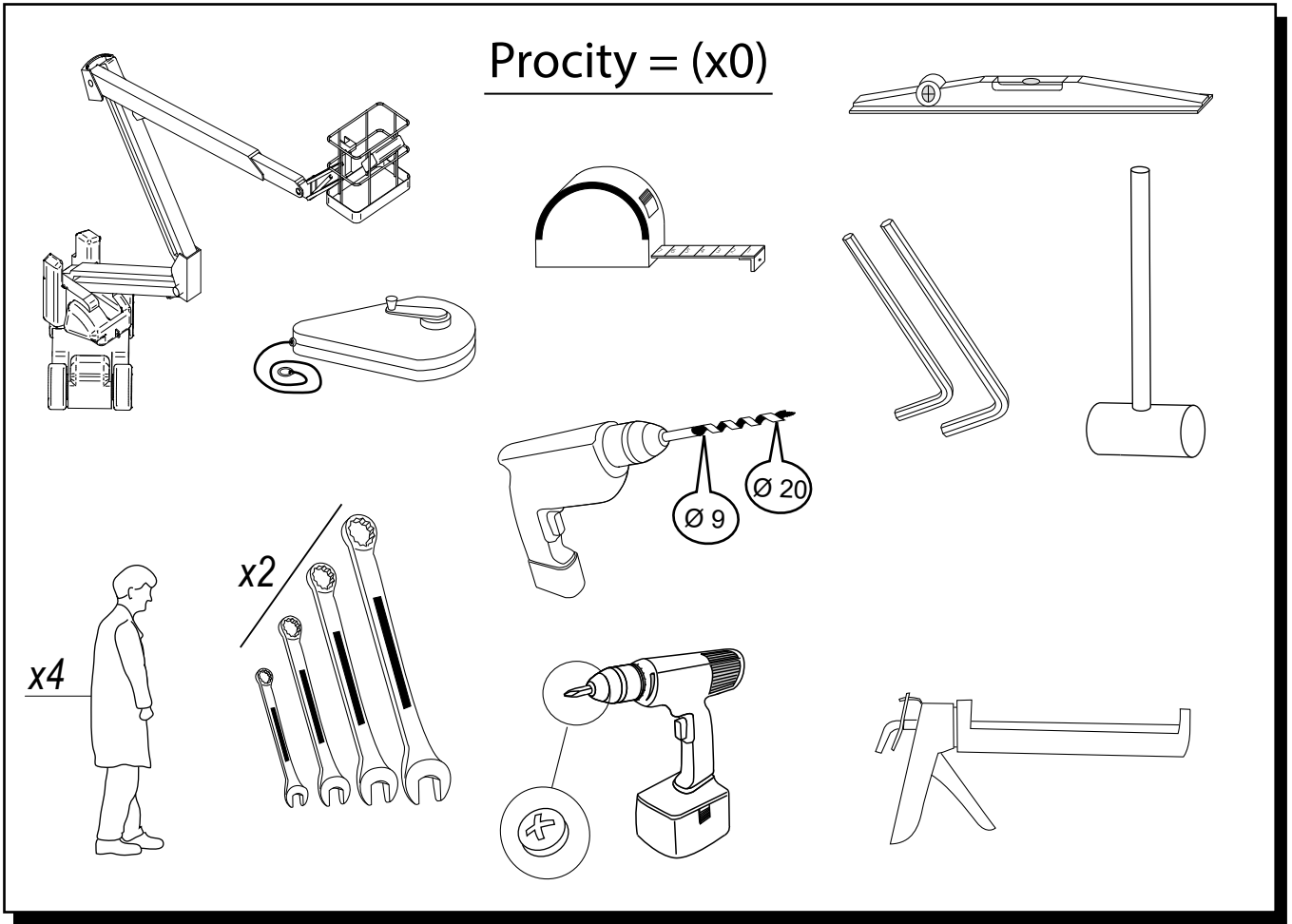


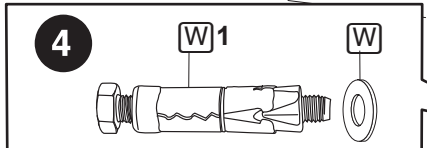
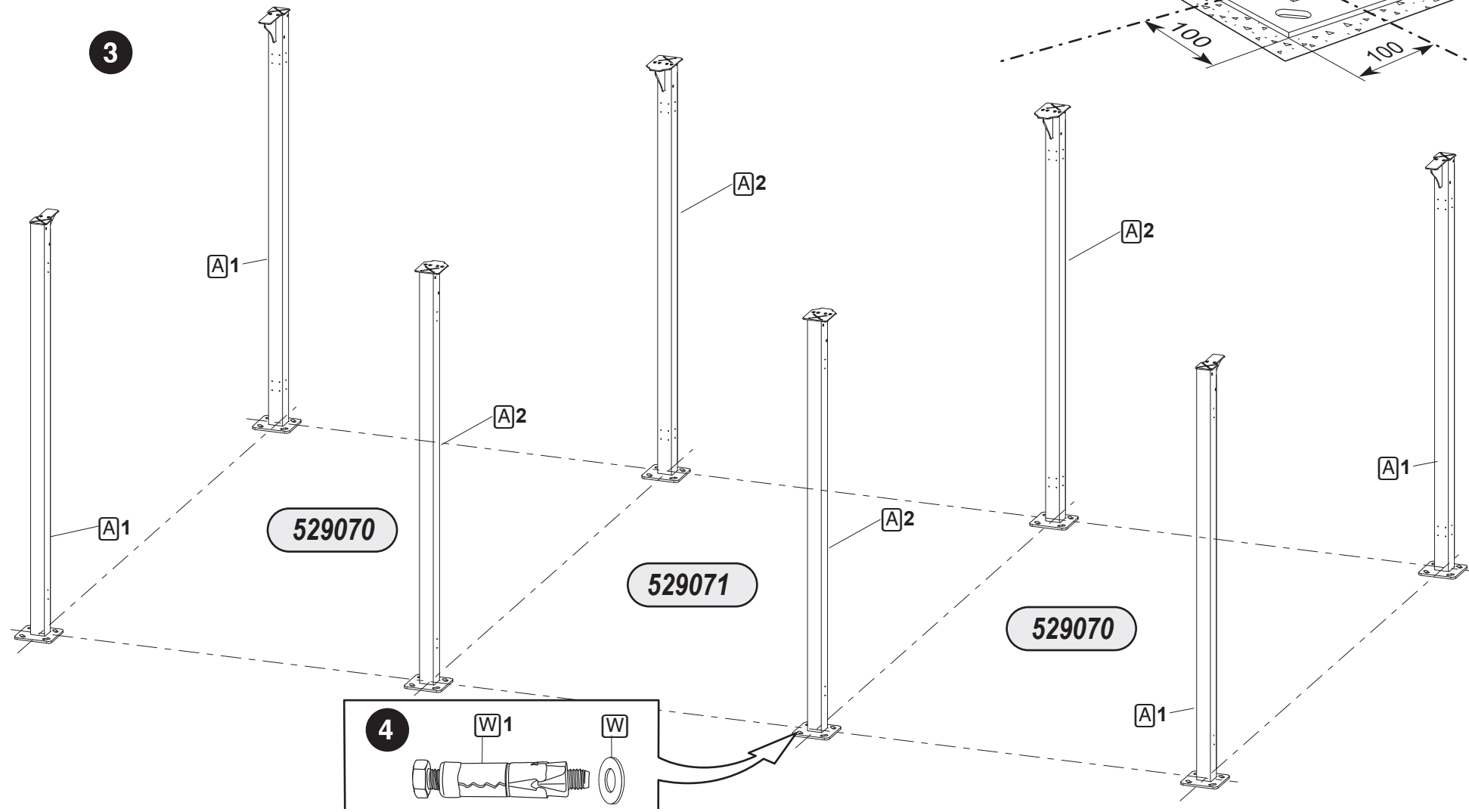
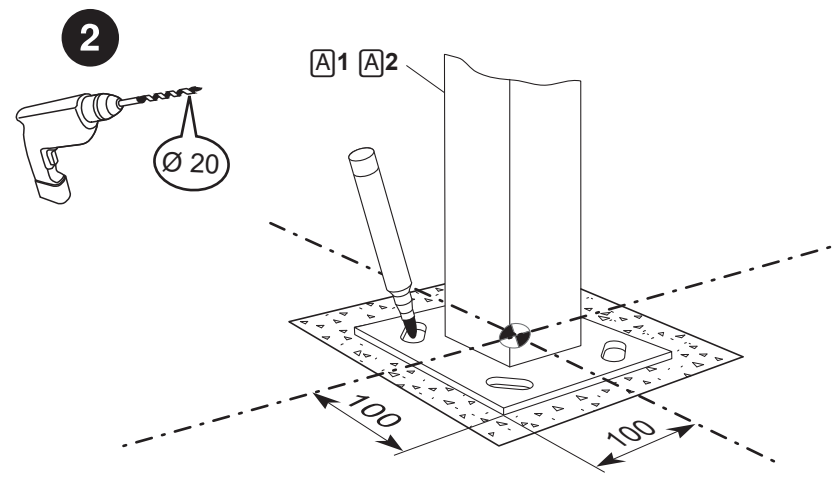
H (x 2)
60x40x4275
SFI 529070-C

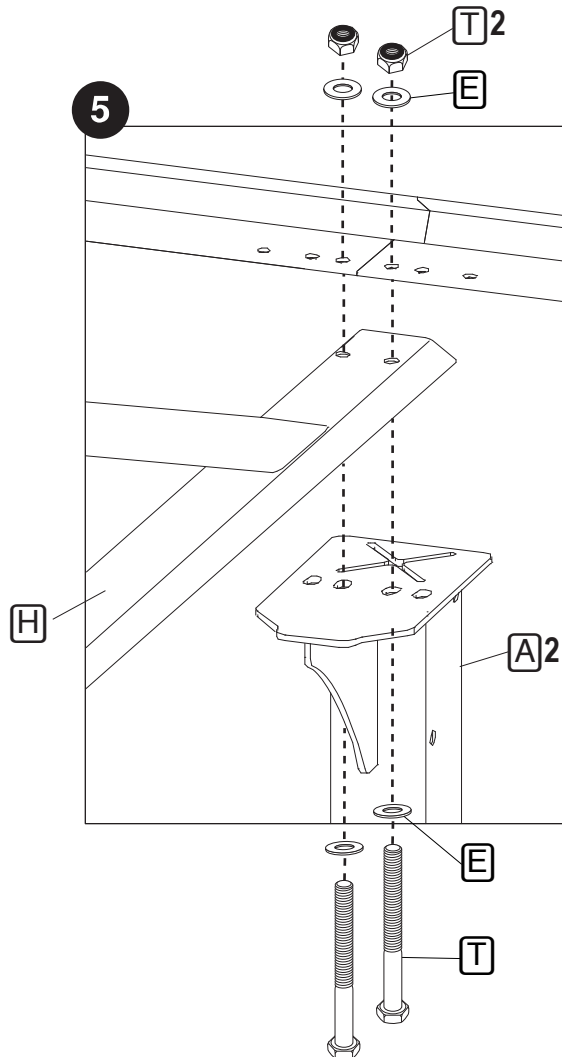
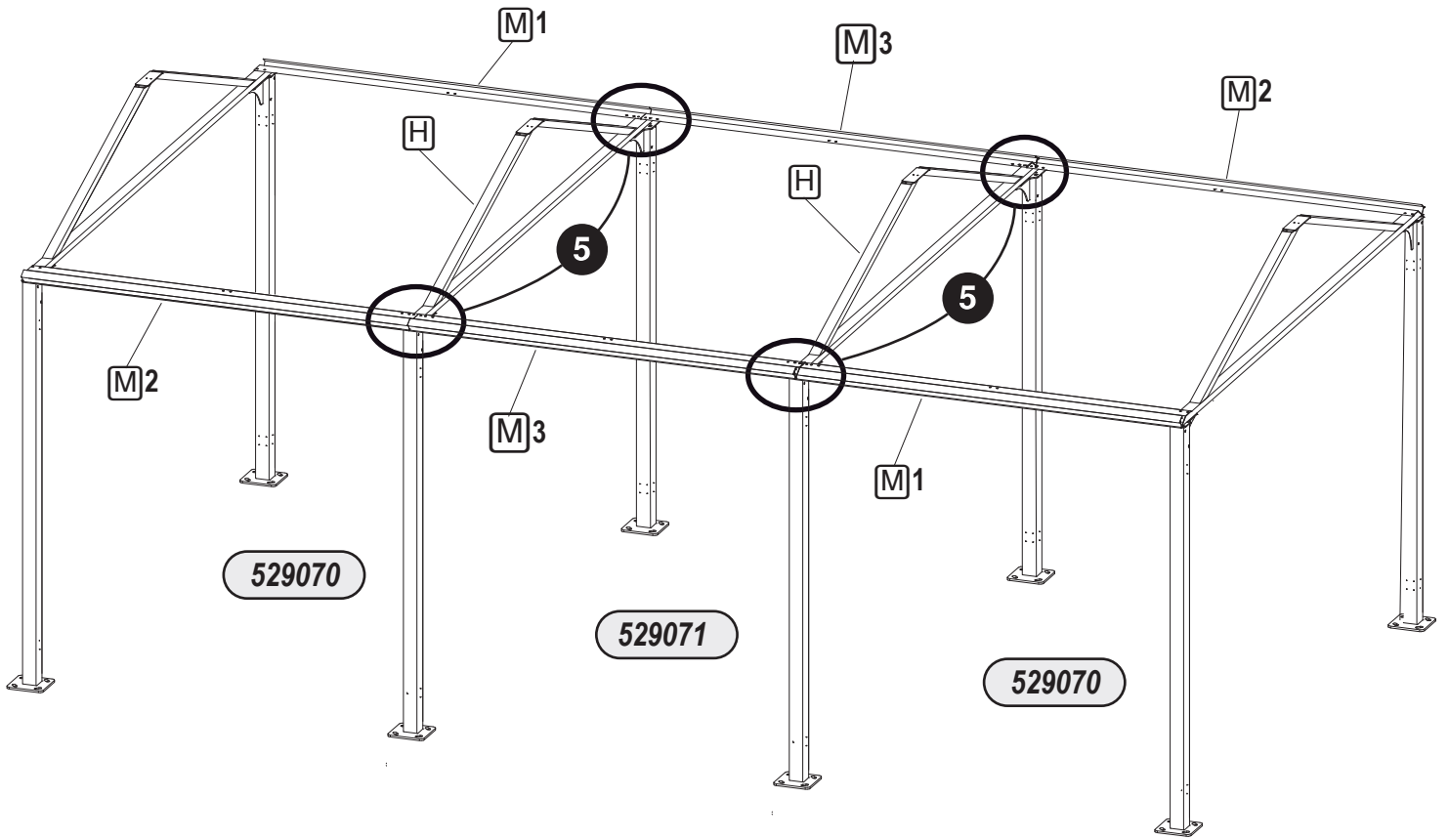


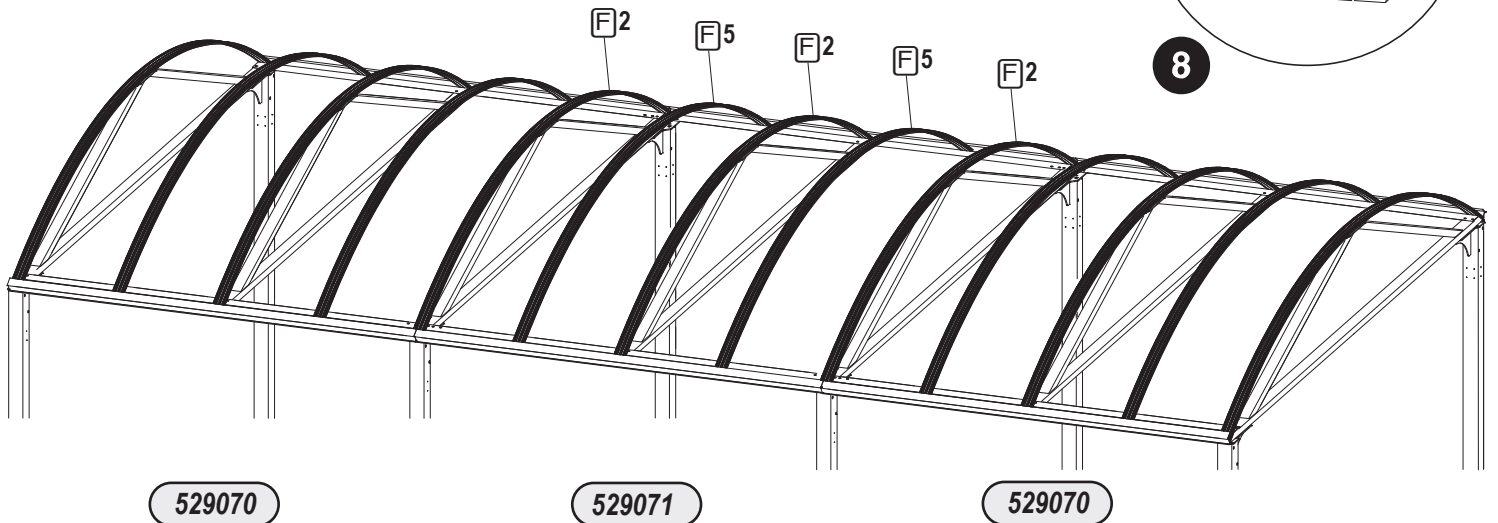
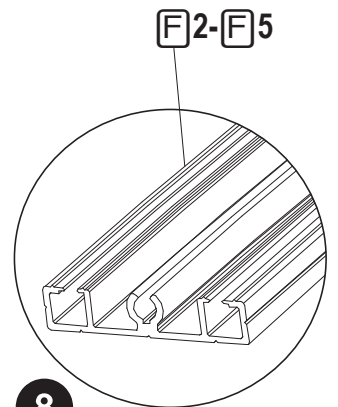
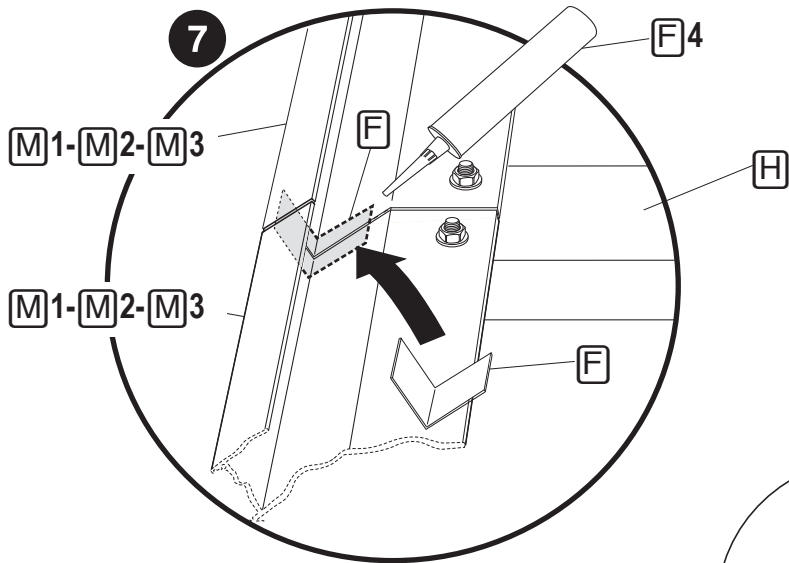
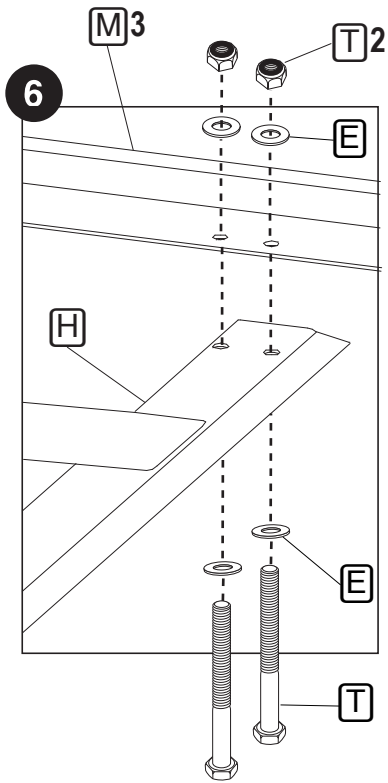
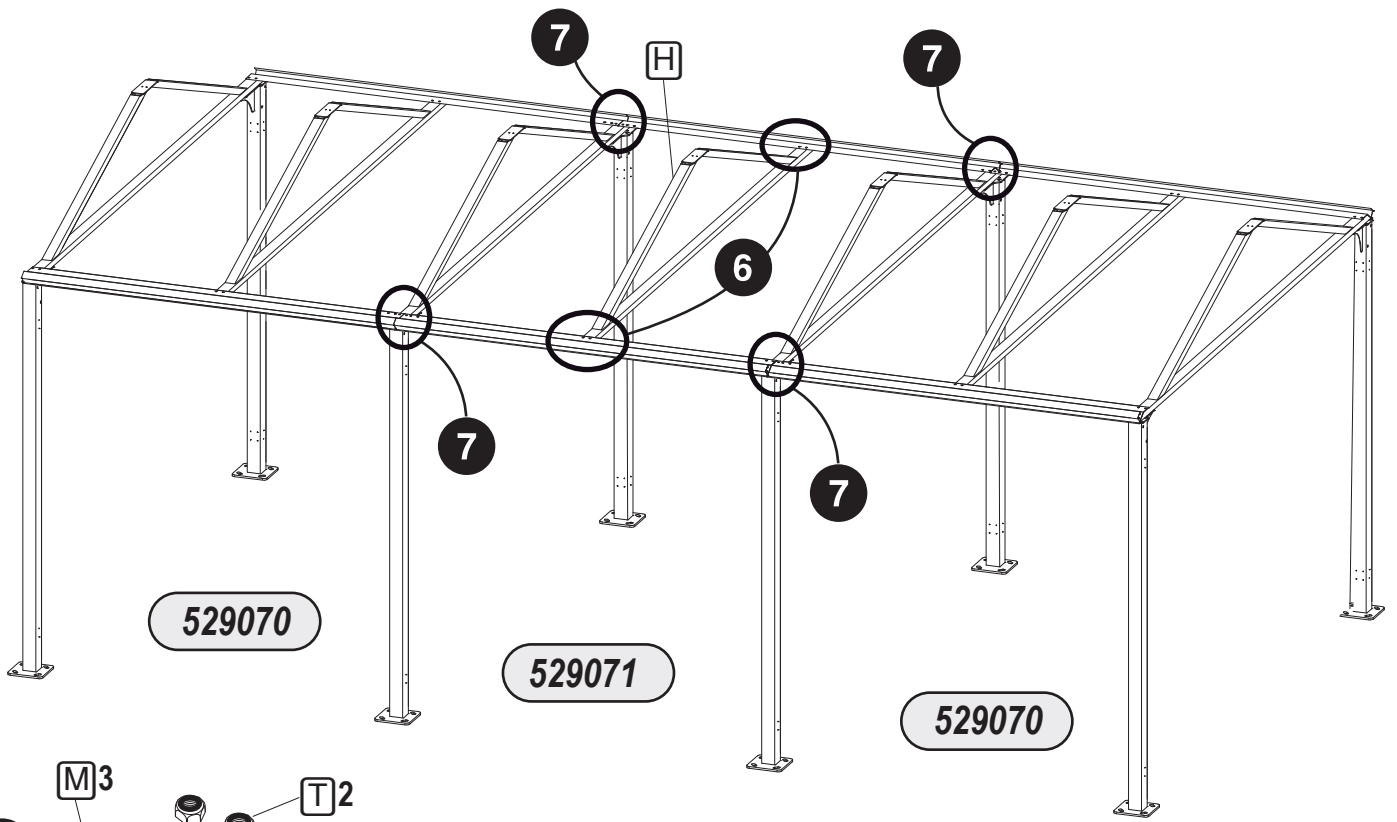


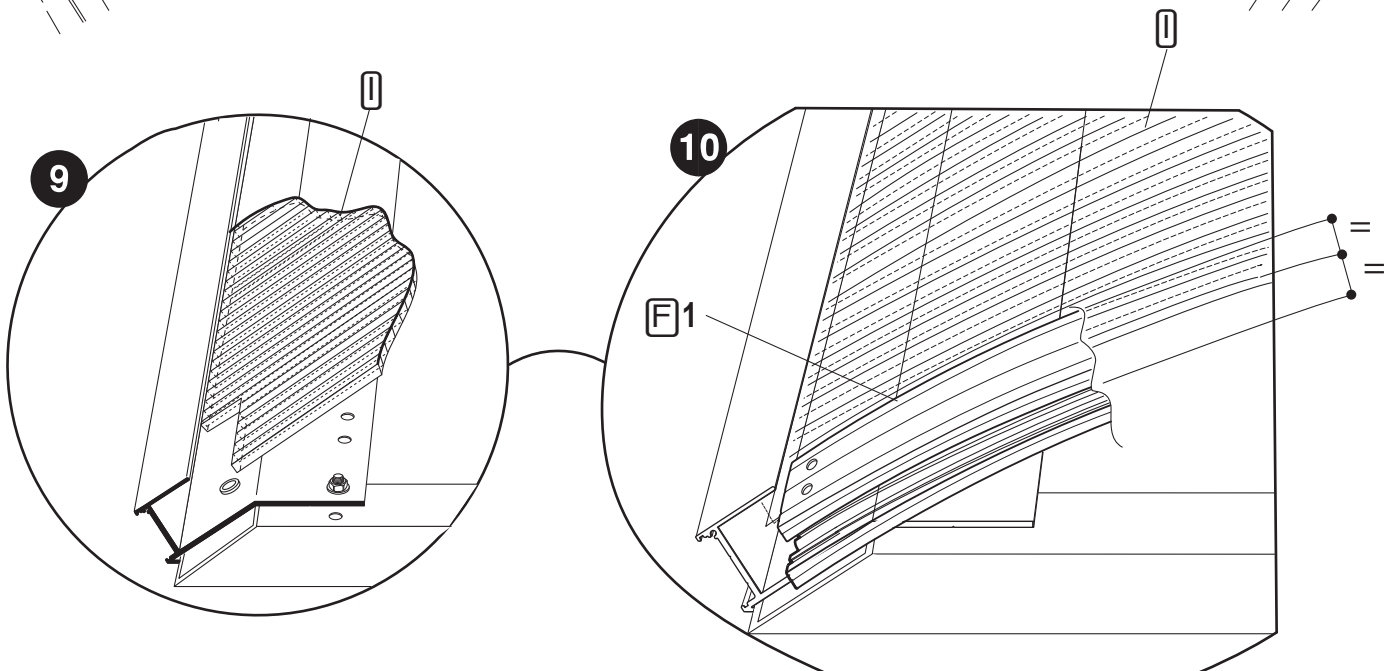
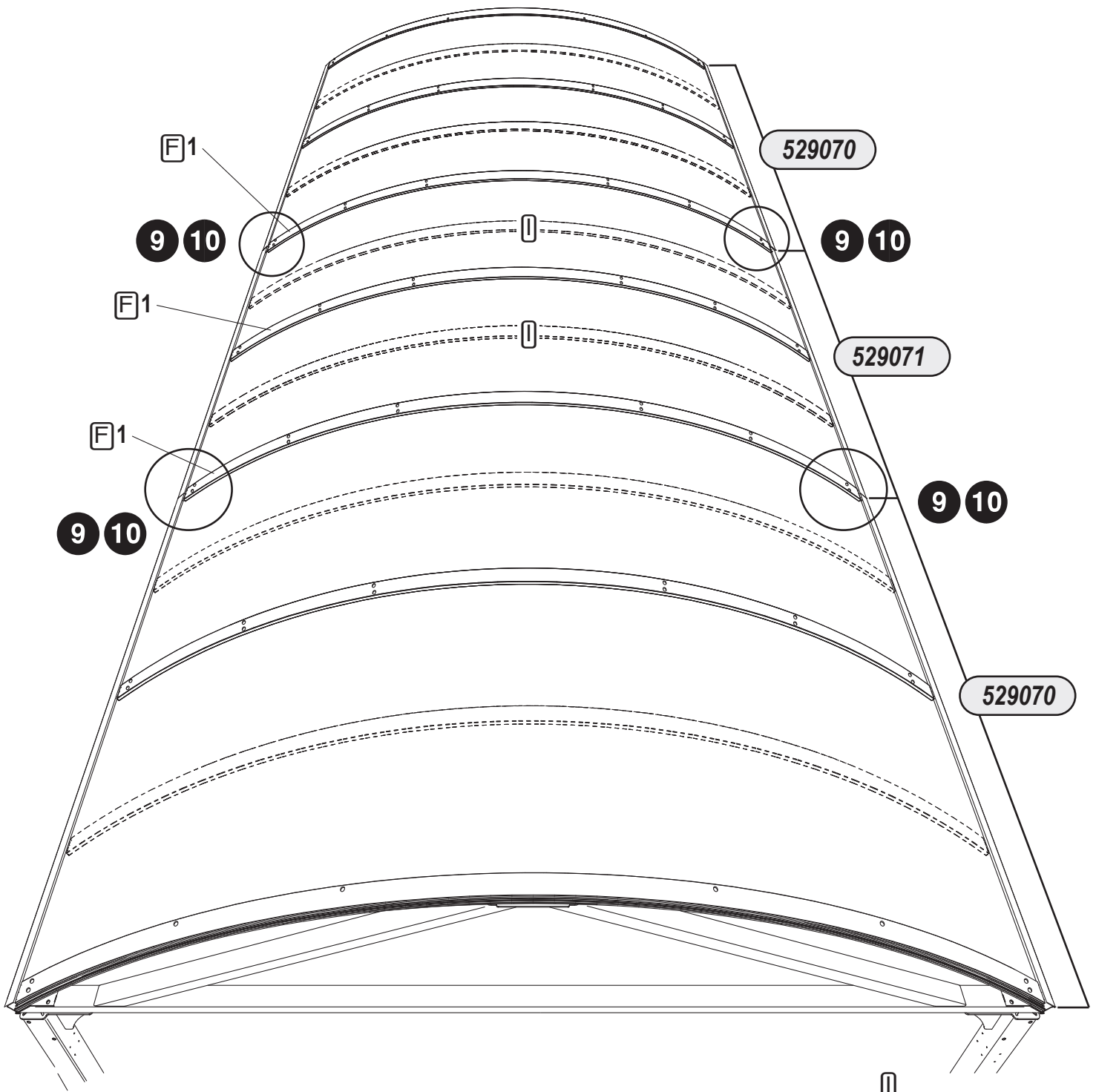
Procity = (x0)

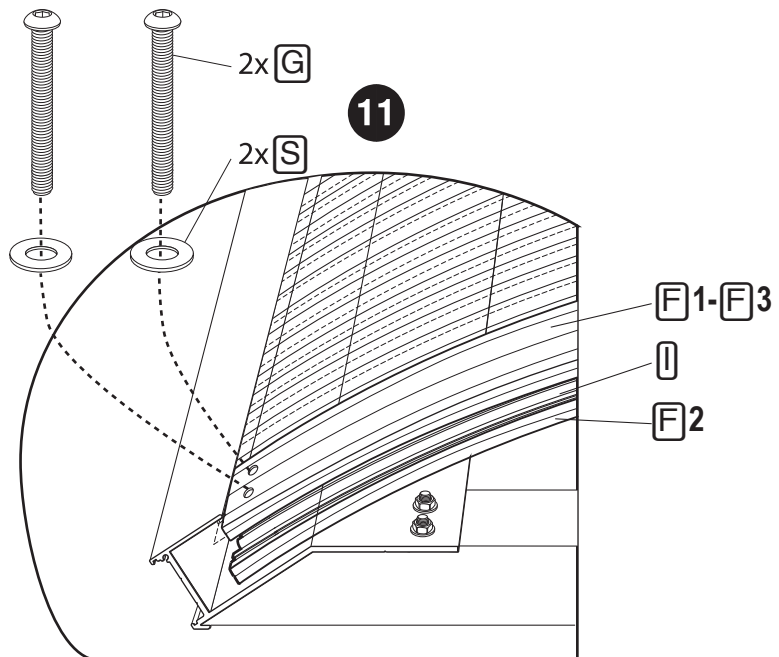
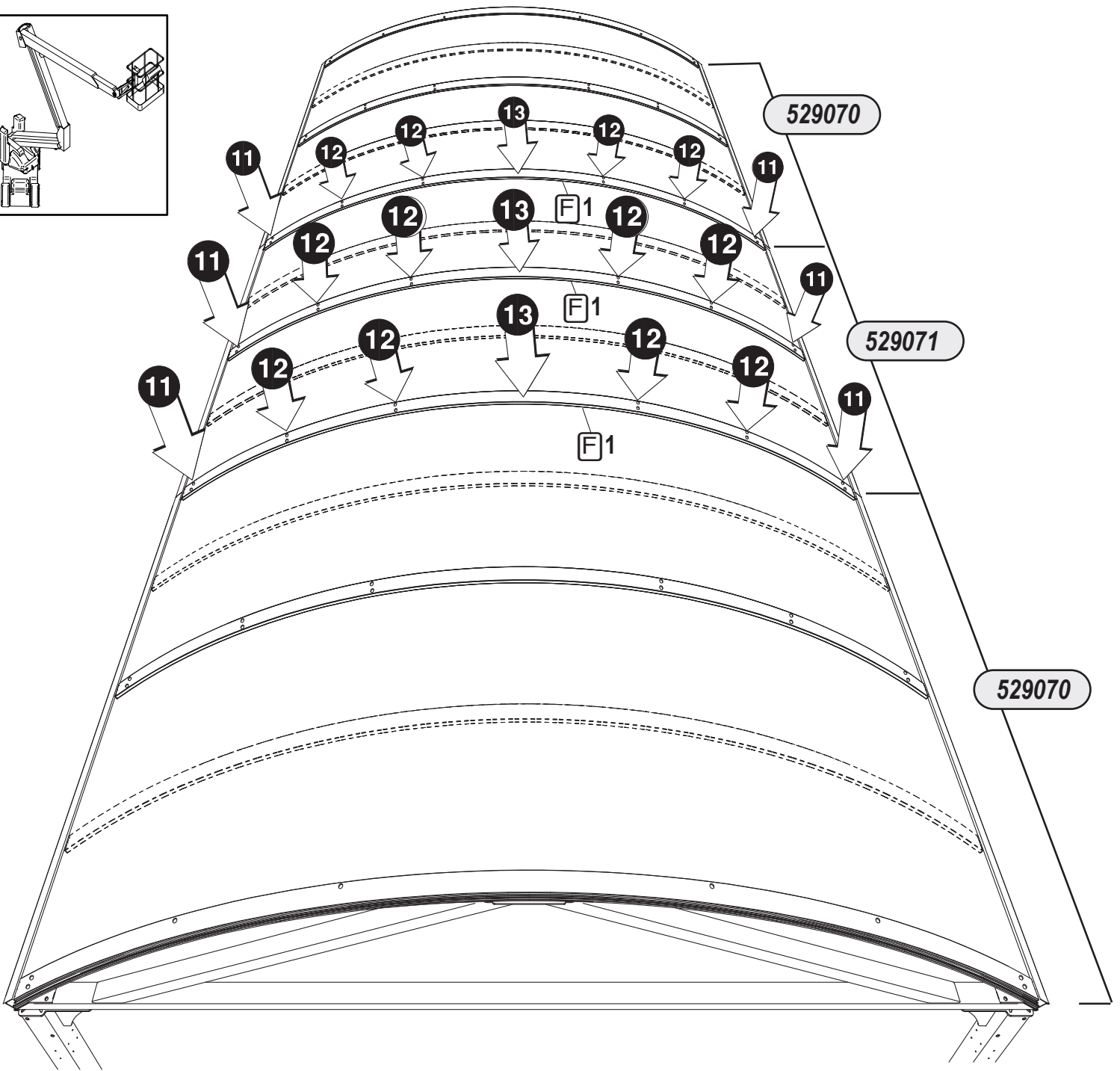
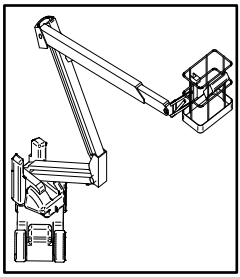


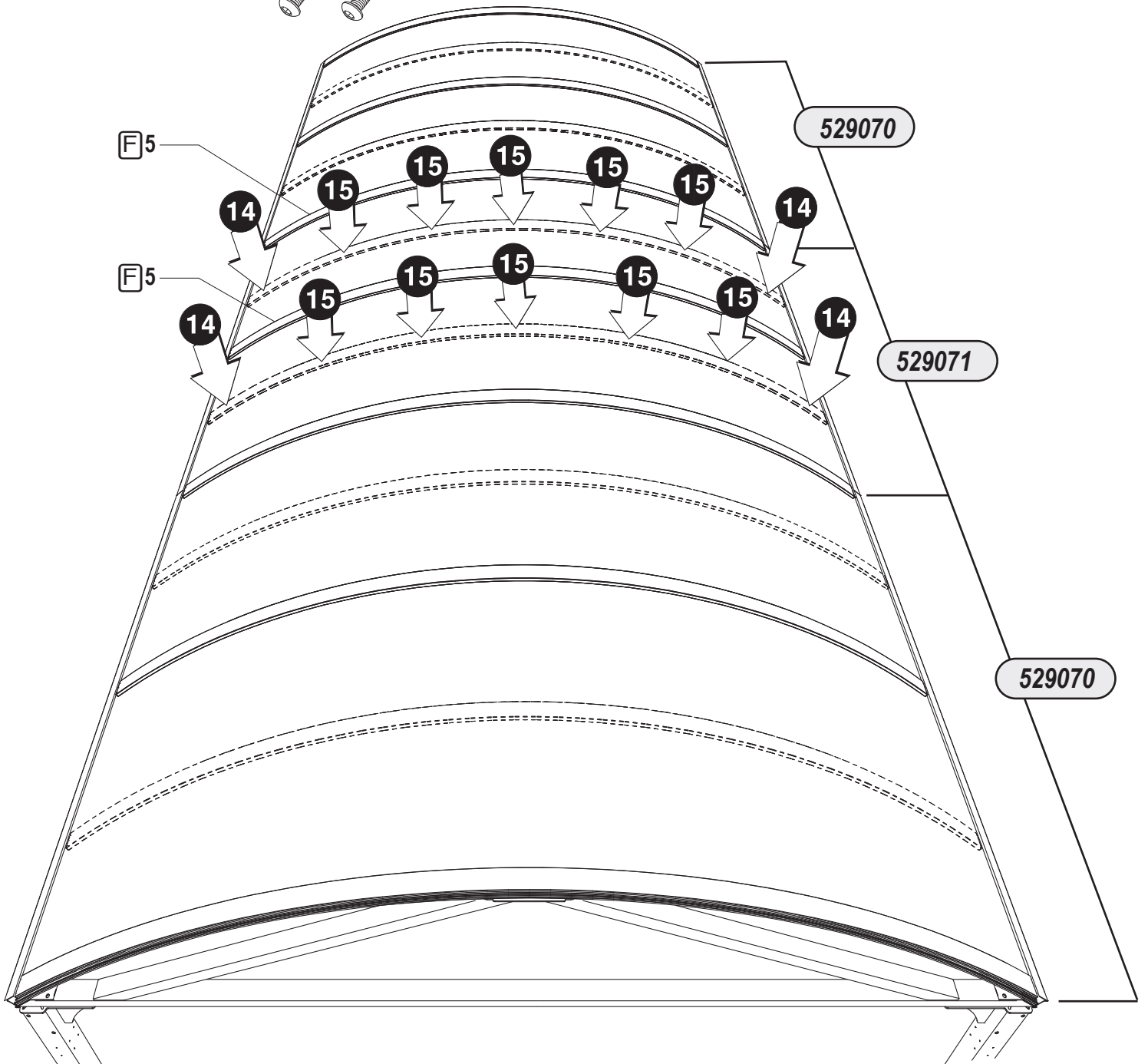
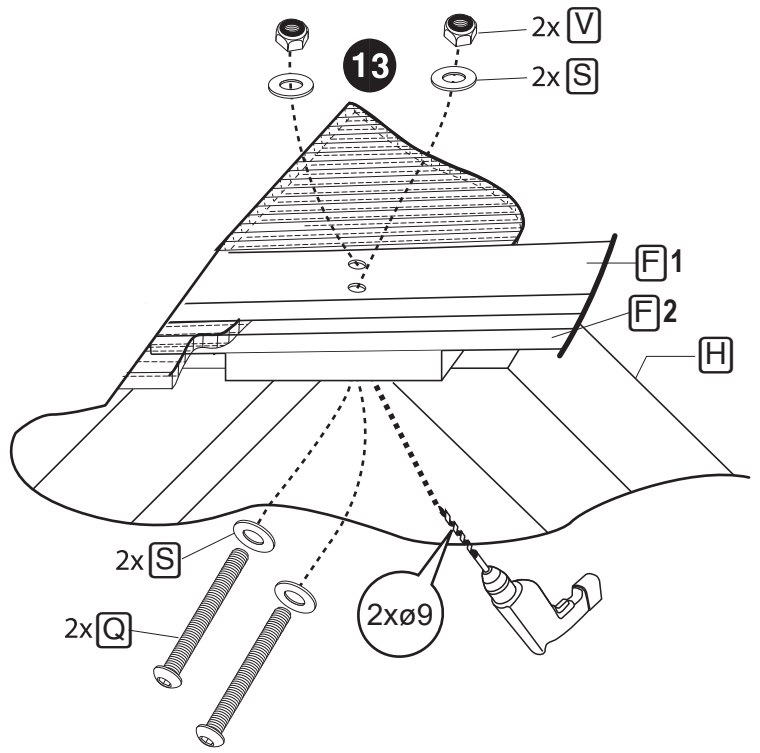
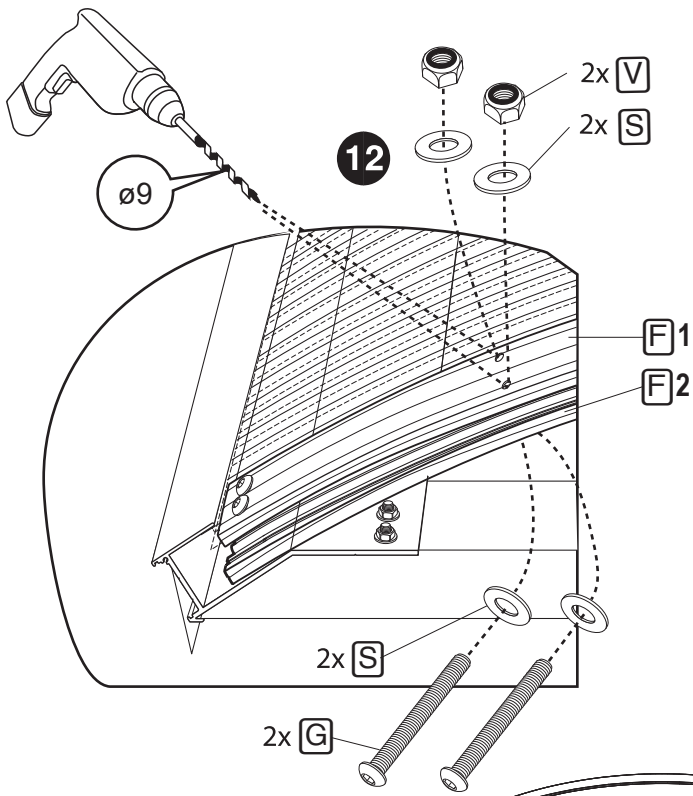


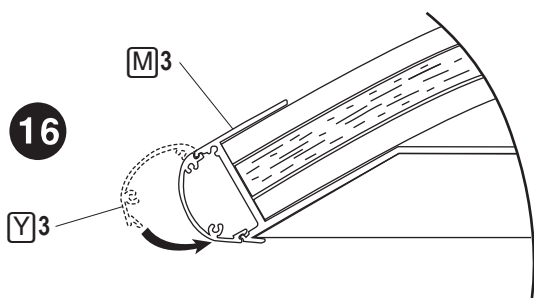
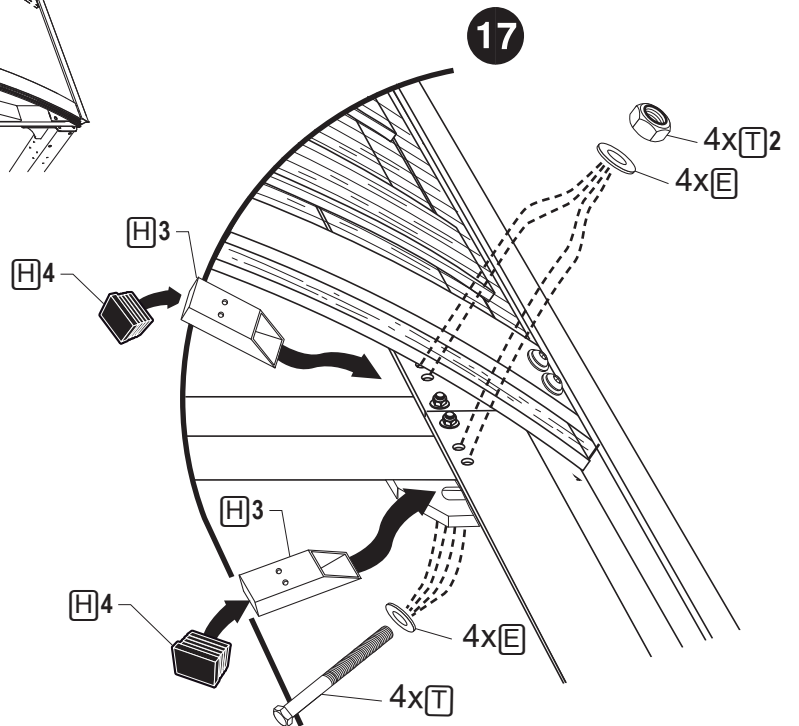
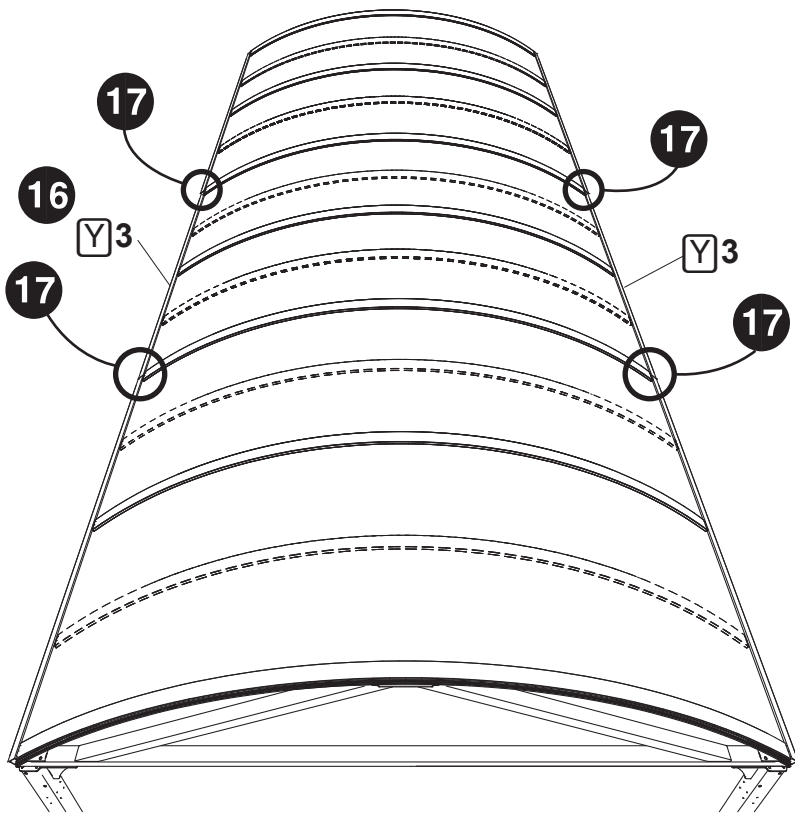
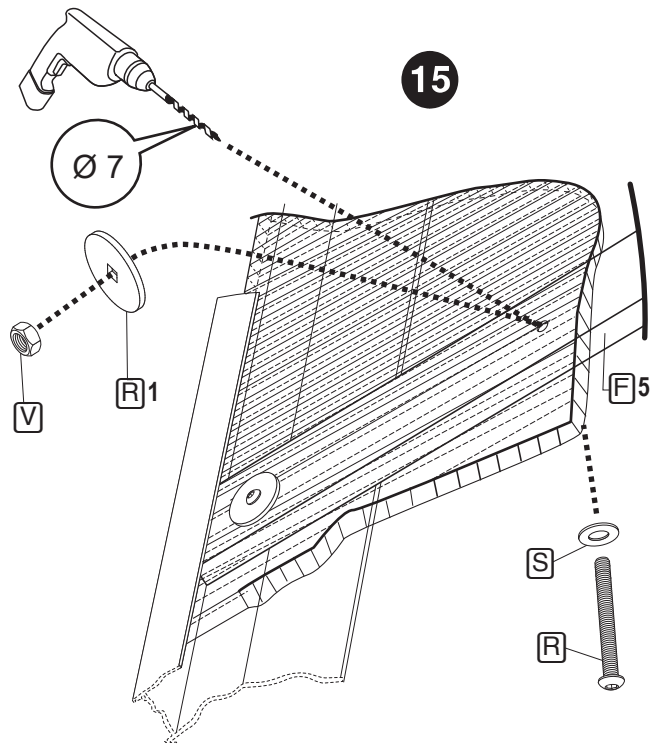
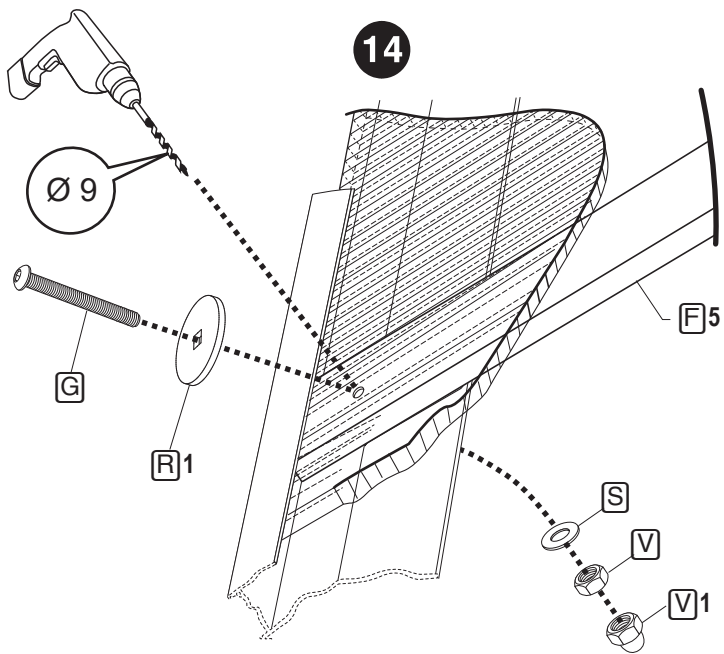


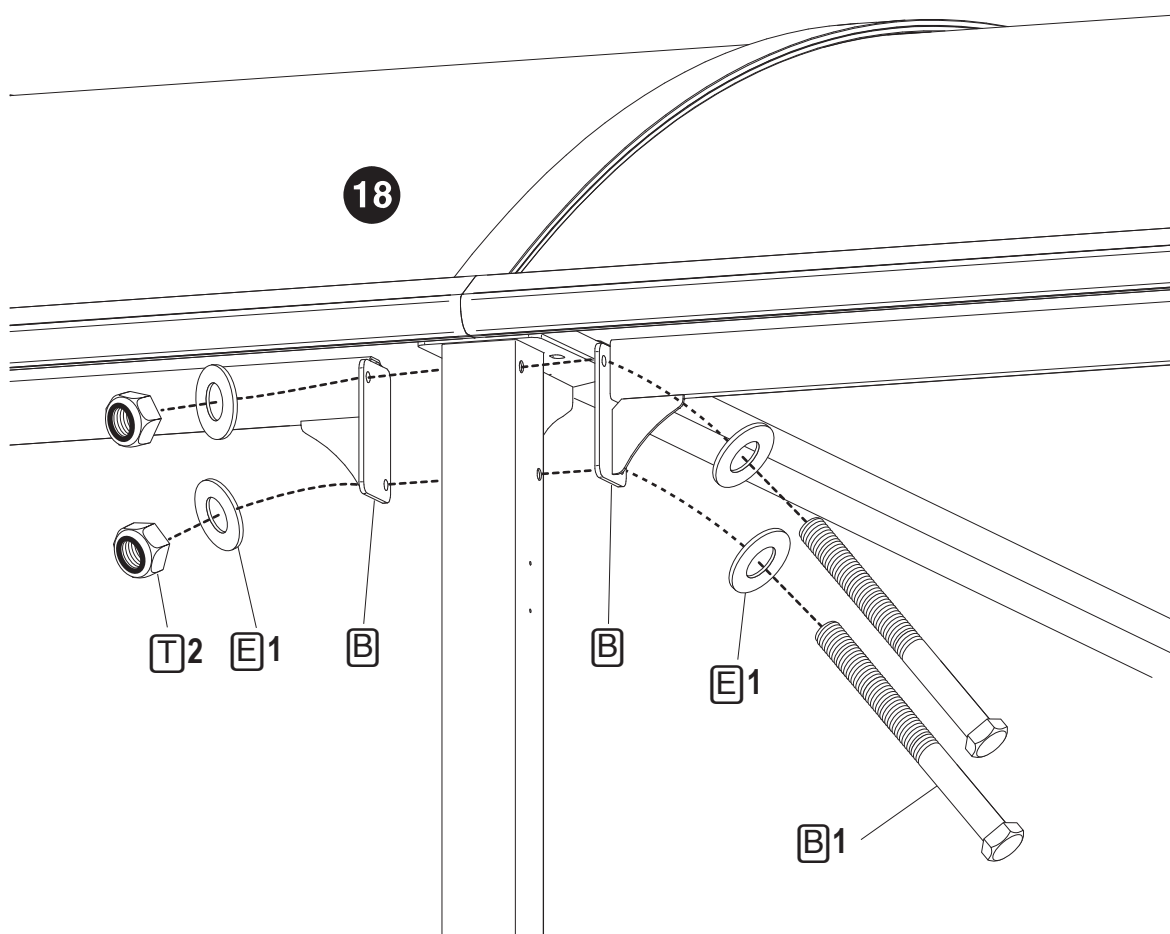
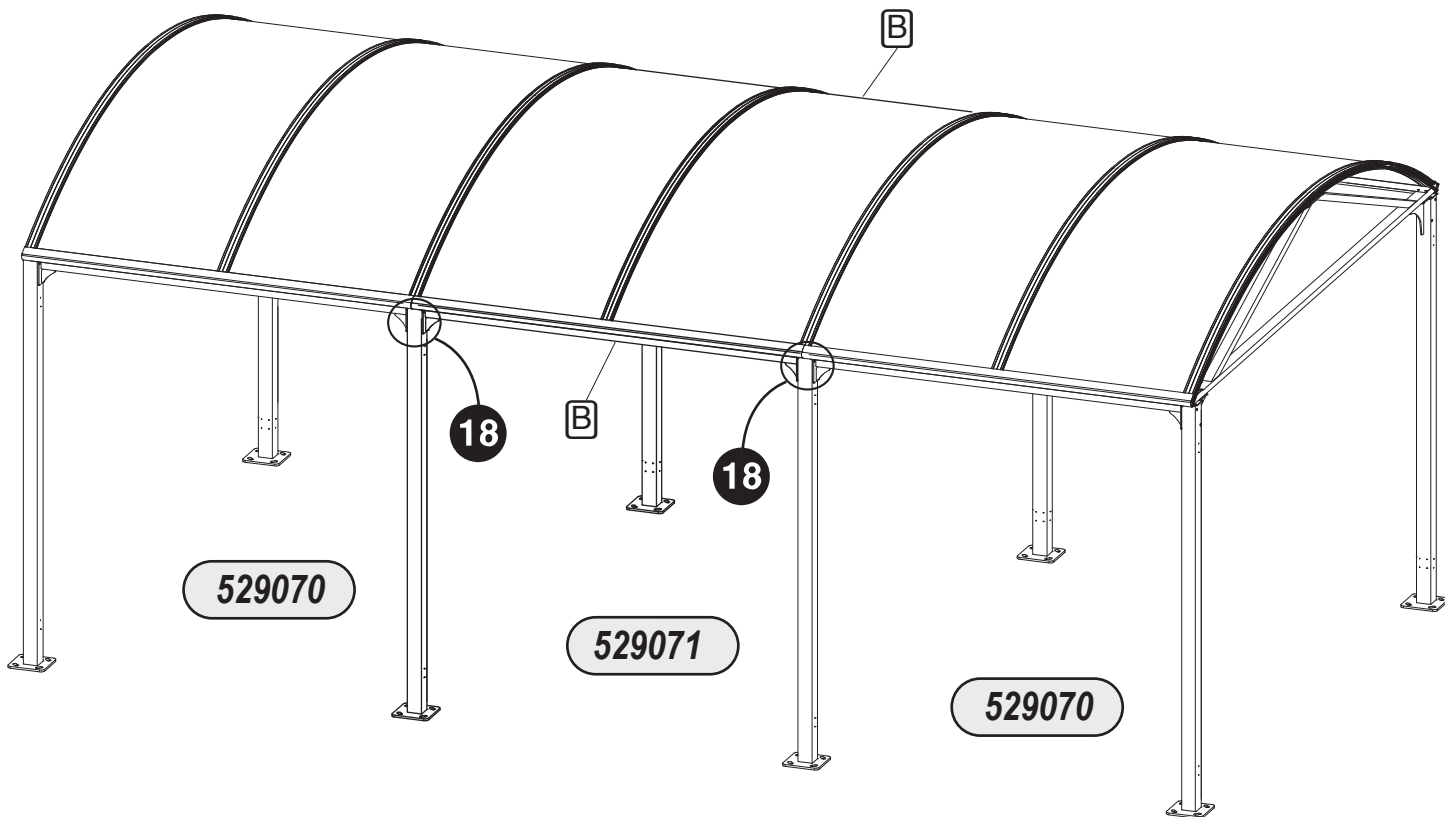


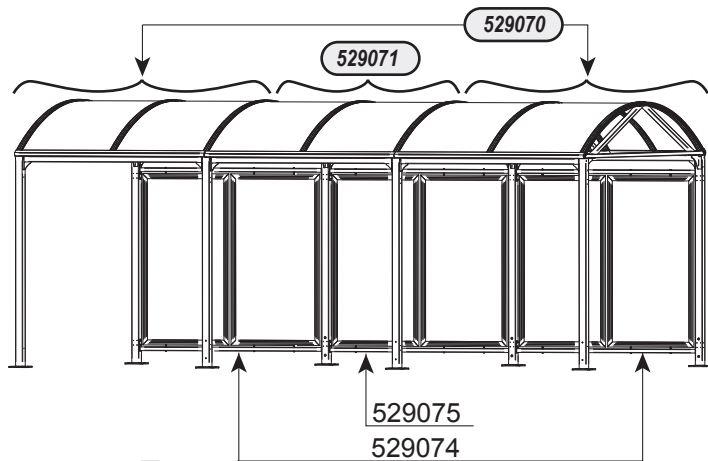












(x 2) 529074

(x 1) 529075

