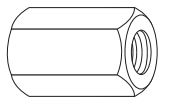
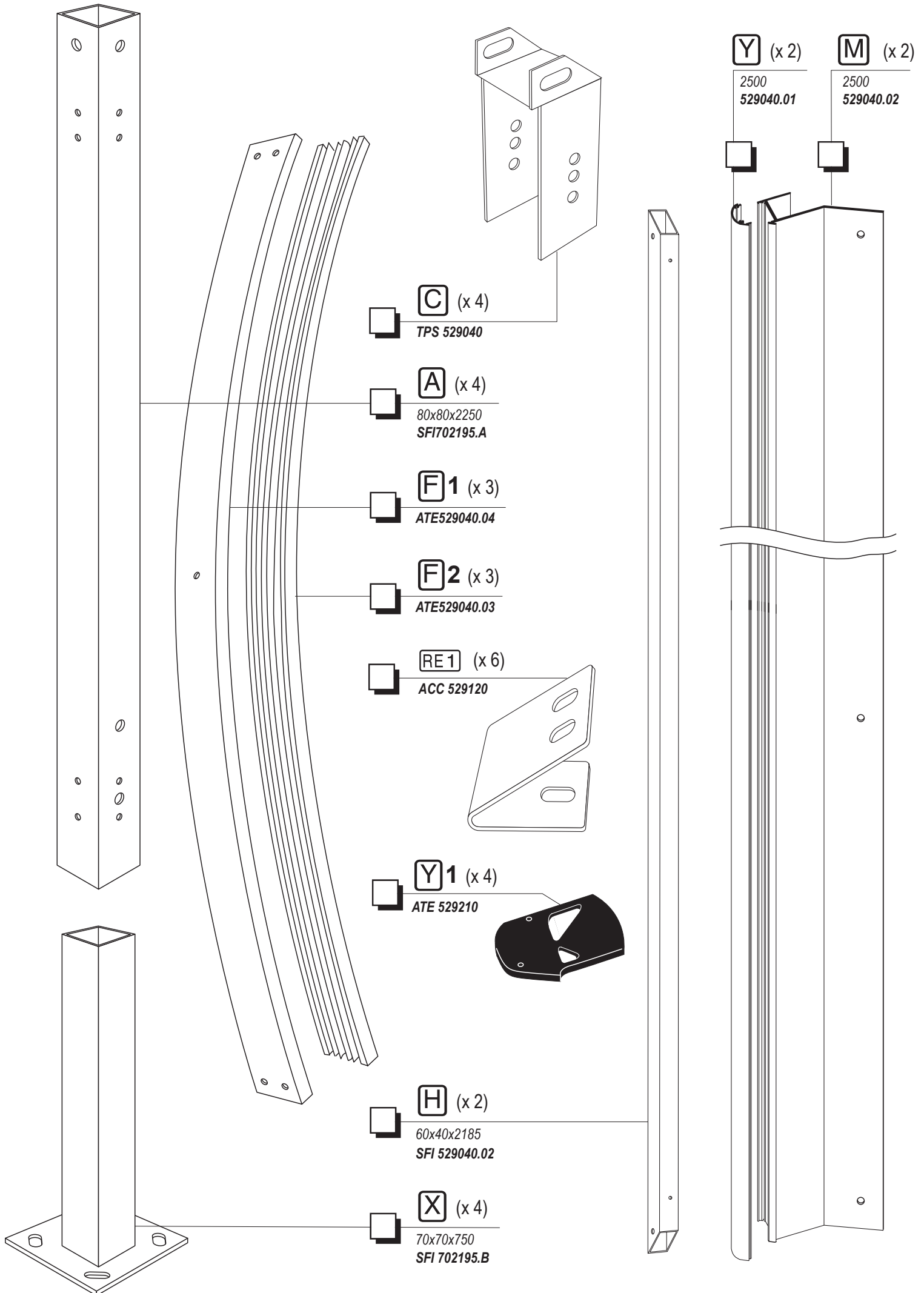




+





B (x 8)
H M10 x 90
ACC 02174

B2 (x 4)
H M10 - **ACC 05013**

E (x 12)
M 10 - **ACC 18143**

P (x 2)
M10
ACC13020

N (x 8)
BHC M8 x 80
ACC 02144

J (x 4)
M8 x 55
ACC 22325

G (x 12)
CHC M8 x 35
ACC 22362

RE 6 (x 2)
H M8 x 20
ACC 22273

O (x 8)
HFr M8
ACC 04986

L (x 6)
H M8
ACC 05012

K (x 16)
M 8 **ACC 18145**

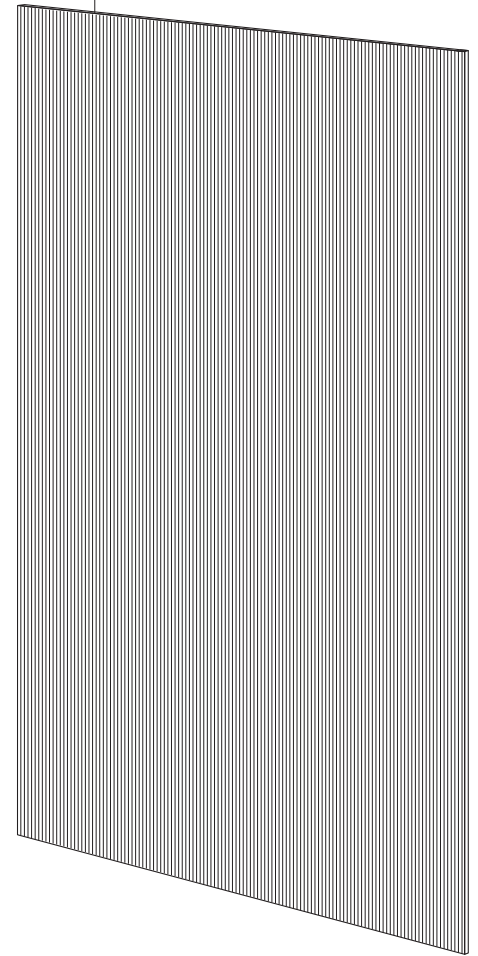
RE 2 (x 12)
BHC M6 x 45
ACC 22227

RE 9 (x 3)
BHC M6 x 40
ACC 22035

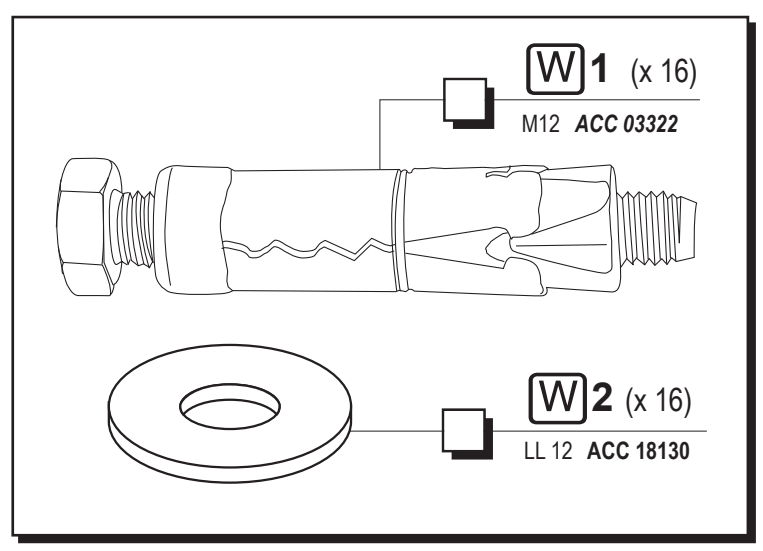
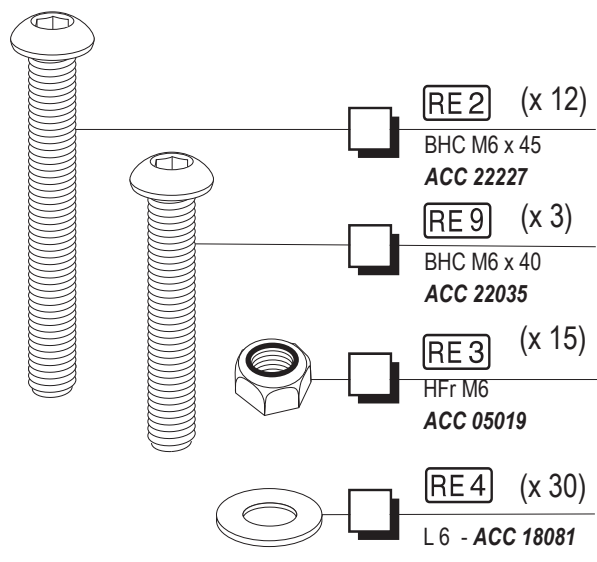
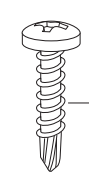
RE 3 (x 15)
HFr M6
ACC 05019

RE 4 (x 30)
L 6 - **ACC 18081**

I (x 2)
h 1245 x 2300
VIT 81011



Y 2 (x 8)
3,5 x 19
ACC 22055

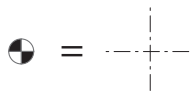
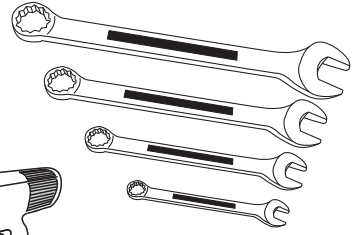
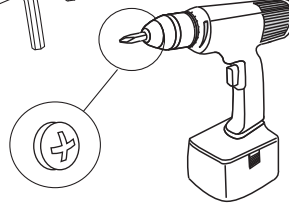
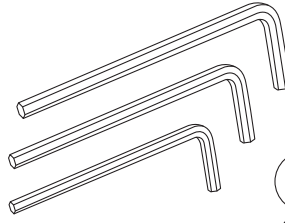
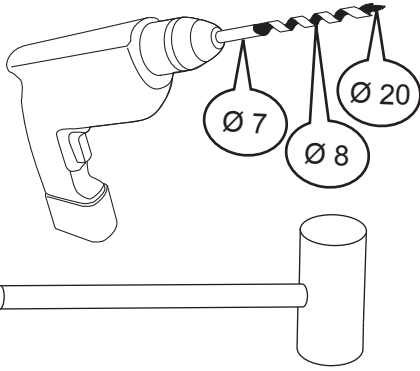
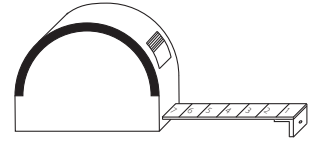
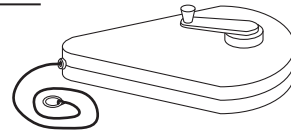
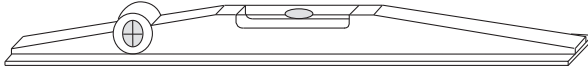


W 1 (x 16)
M12 **ACC 03322**

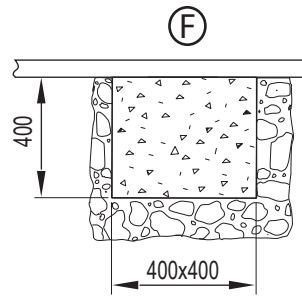
W 2 (x 16)
LL 12 **ACC 18130**

Procity = (x0)

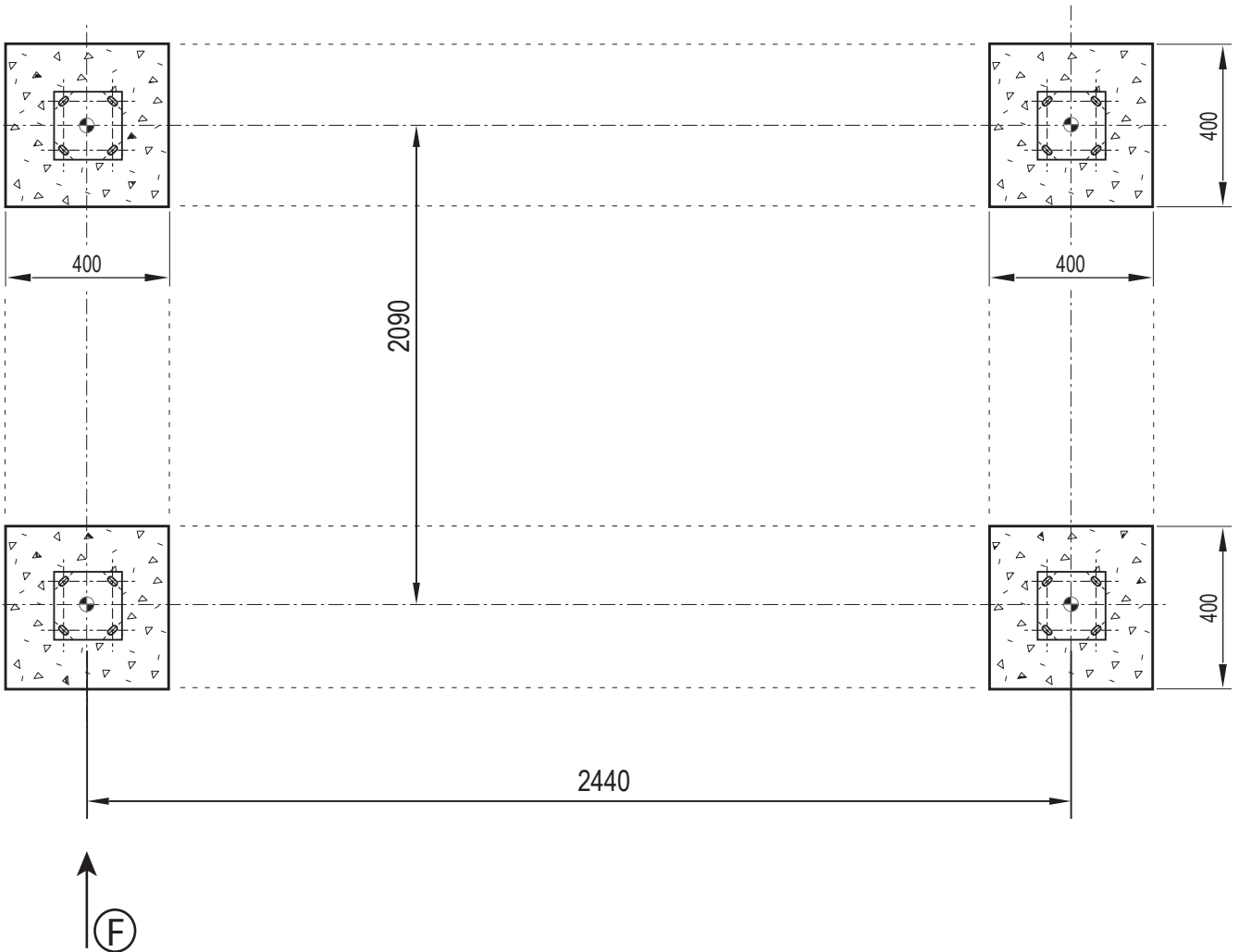
x2

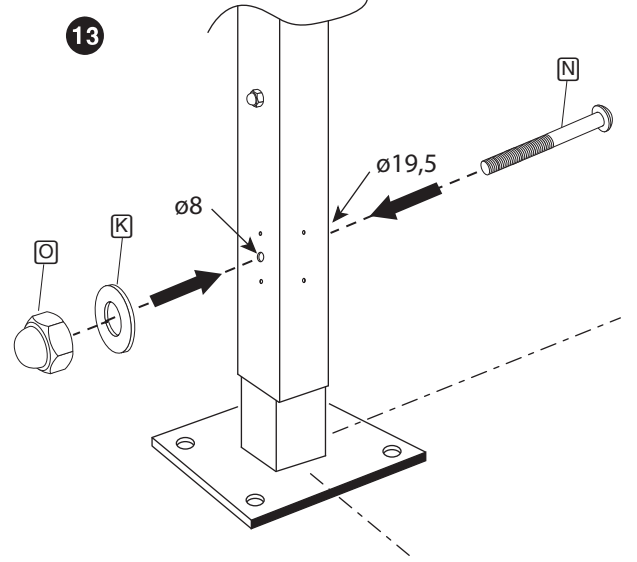
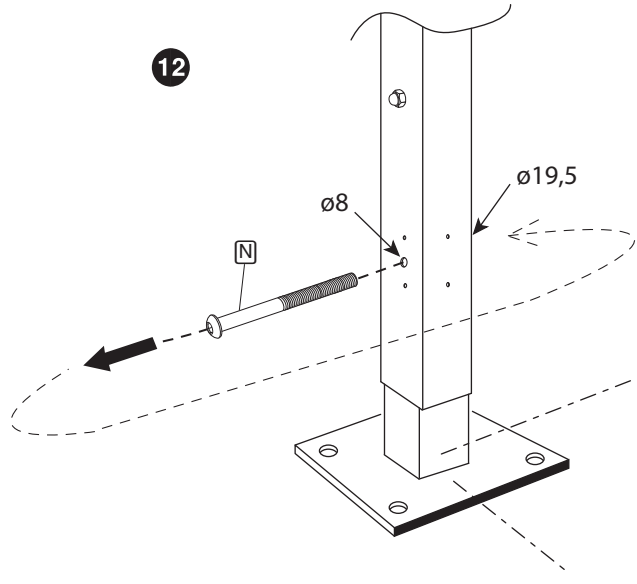
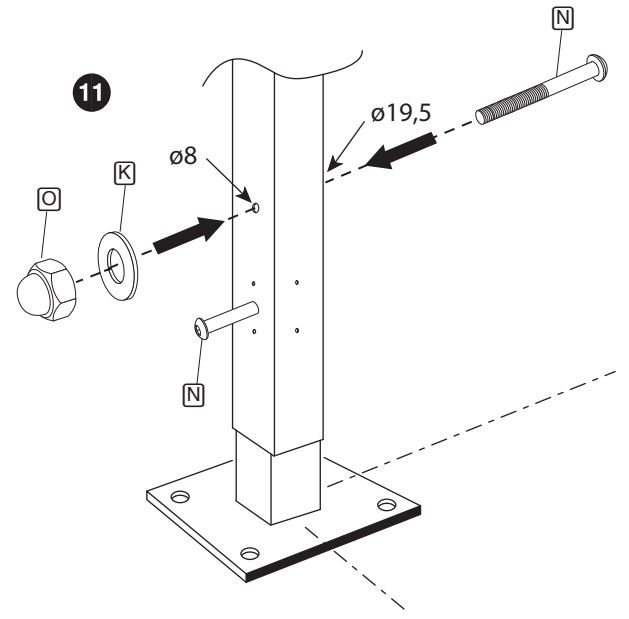
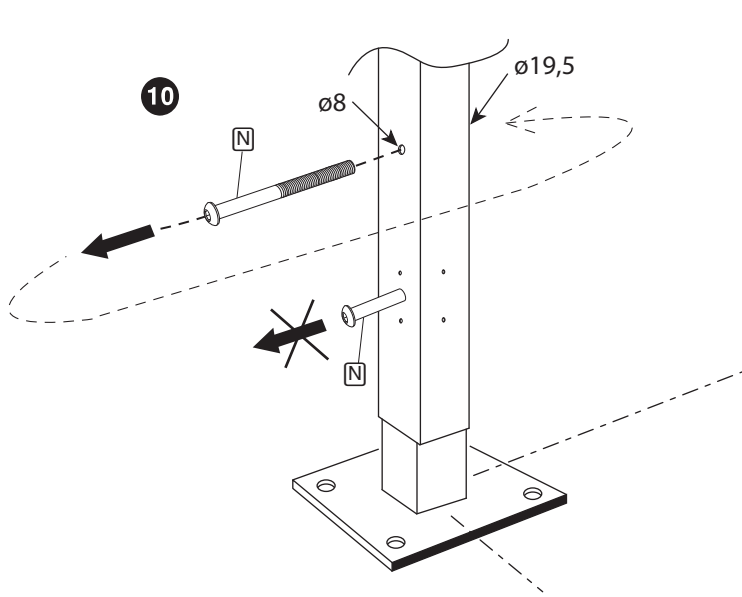
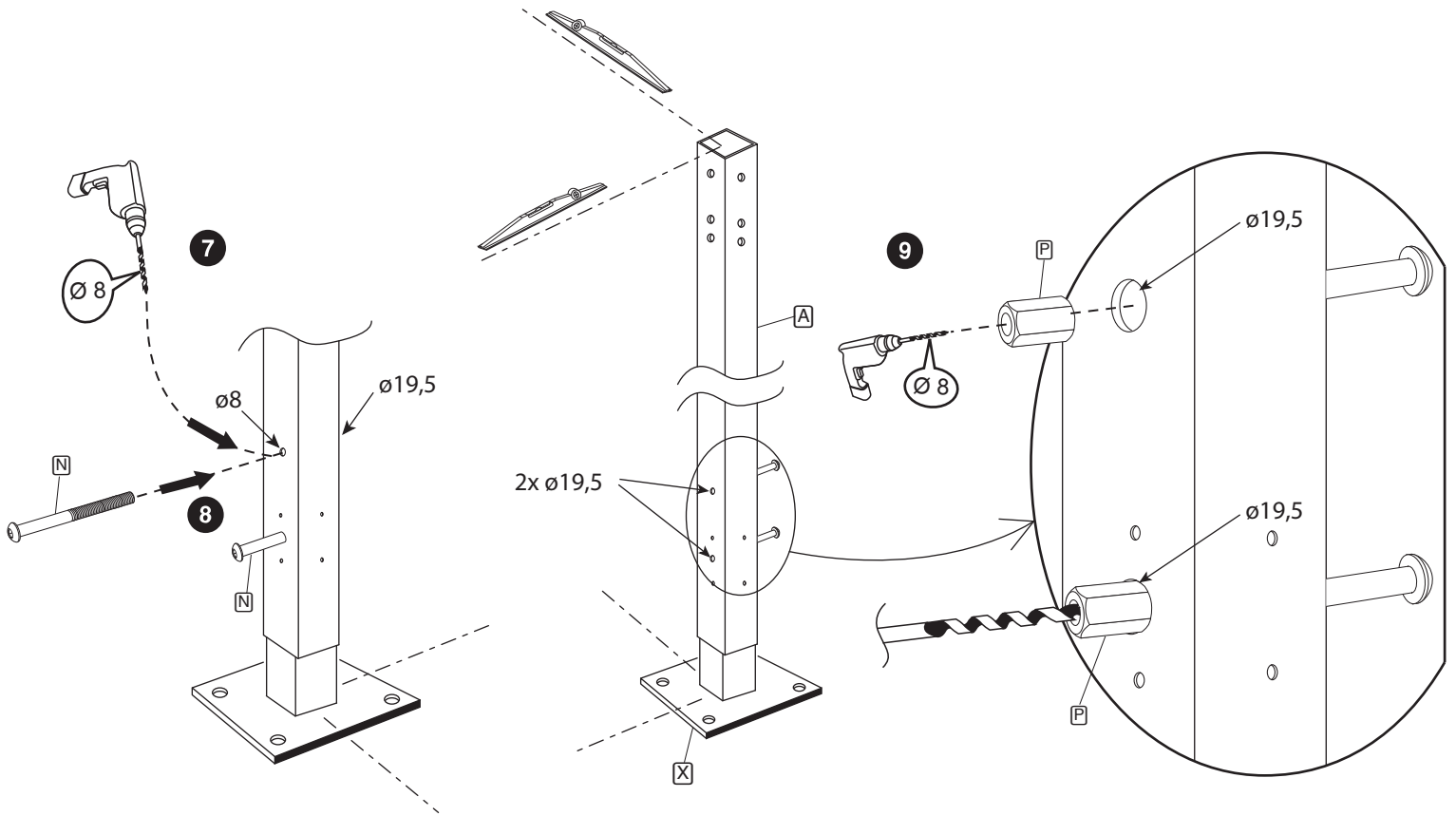


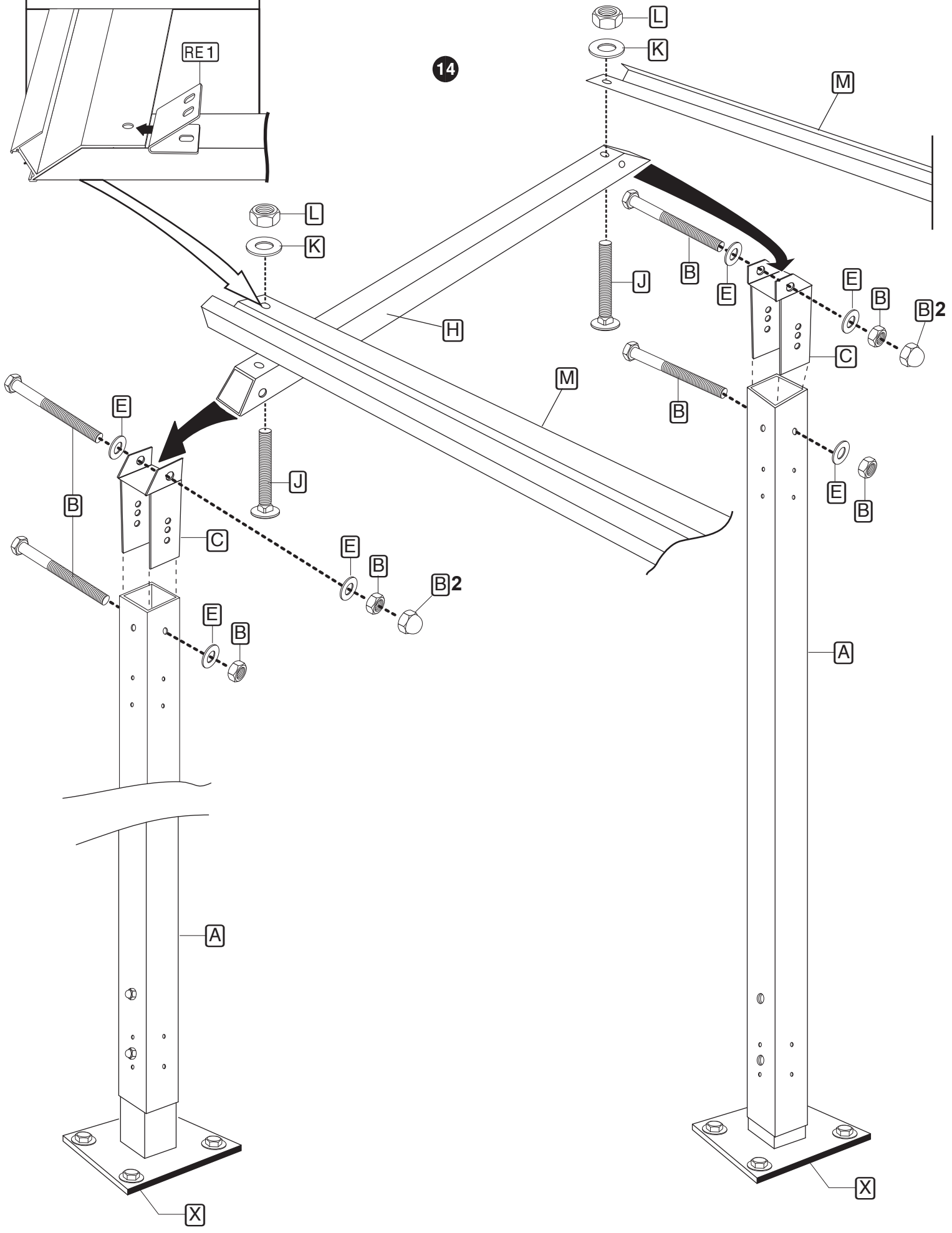
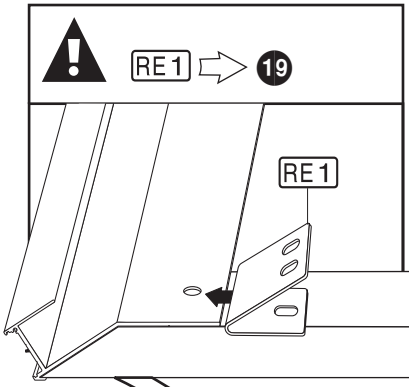
1

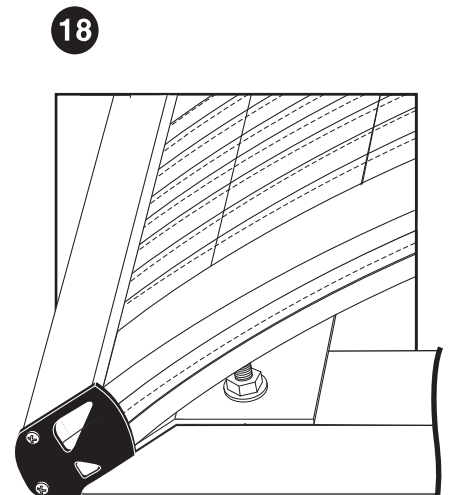
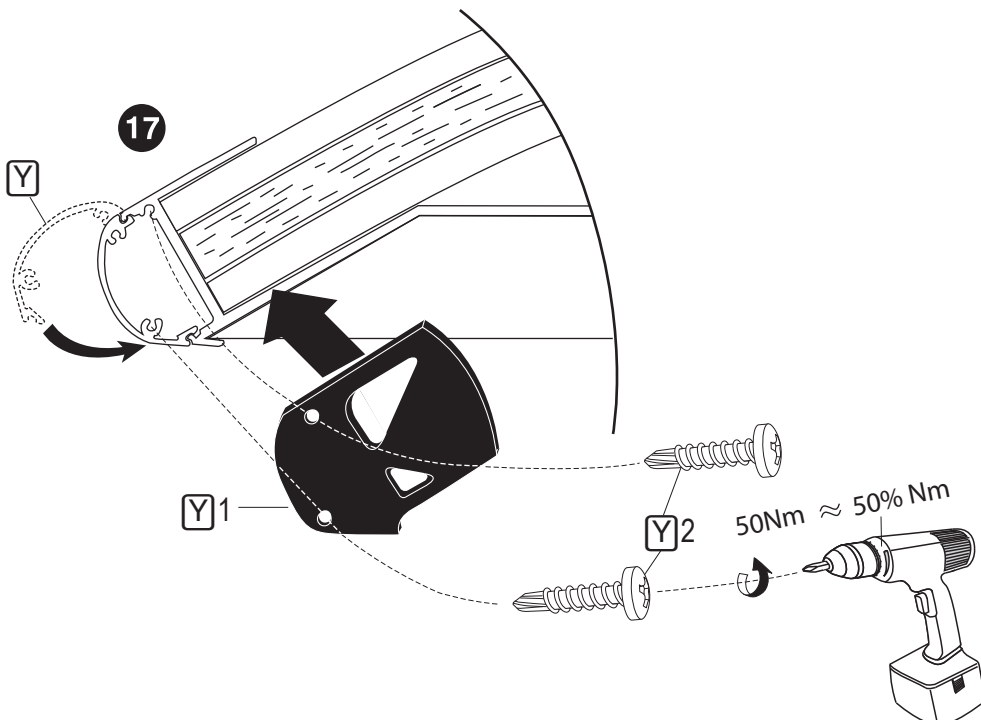
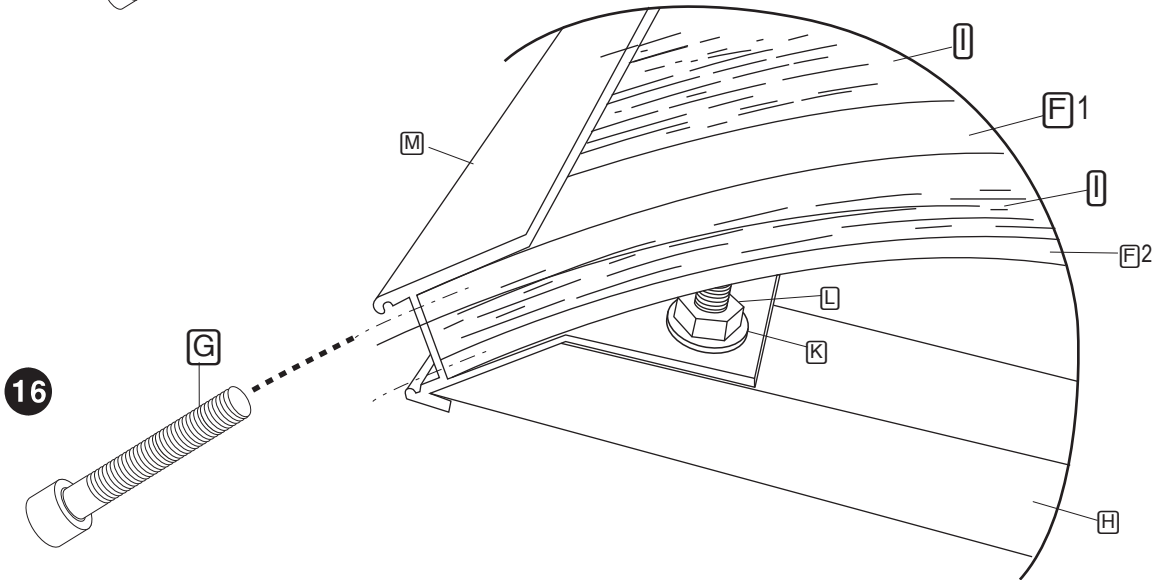
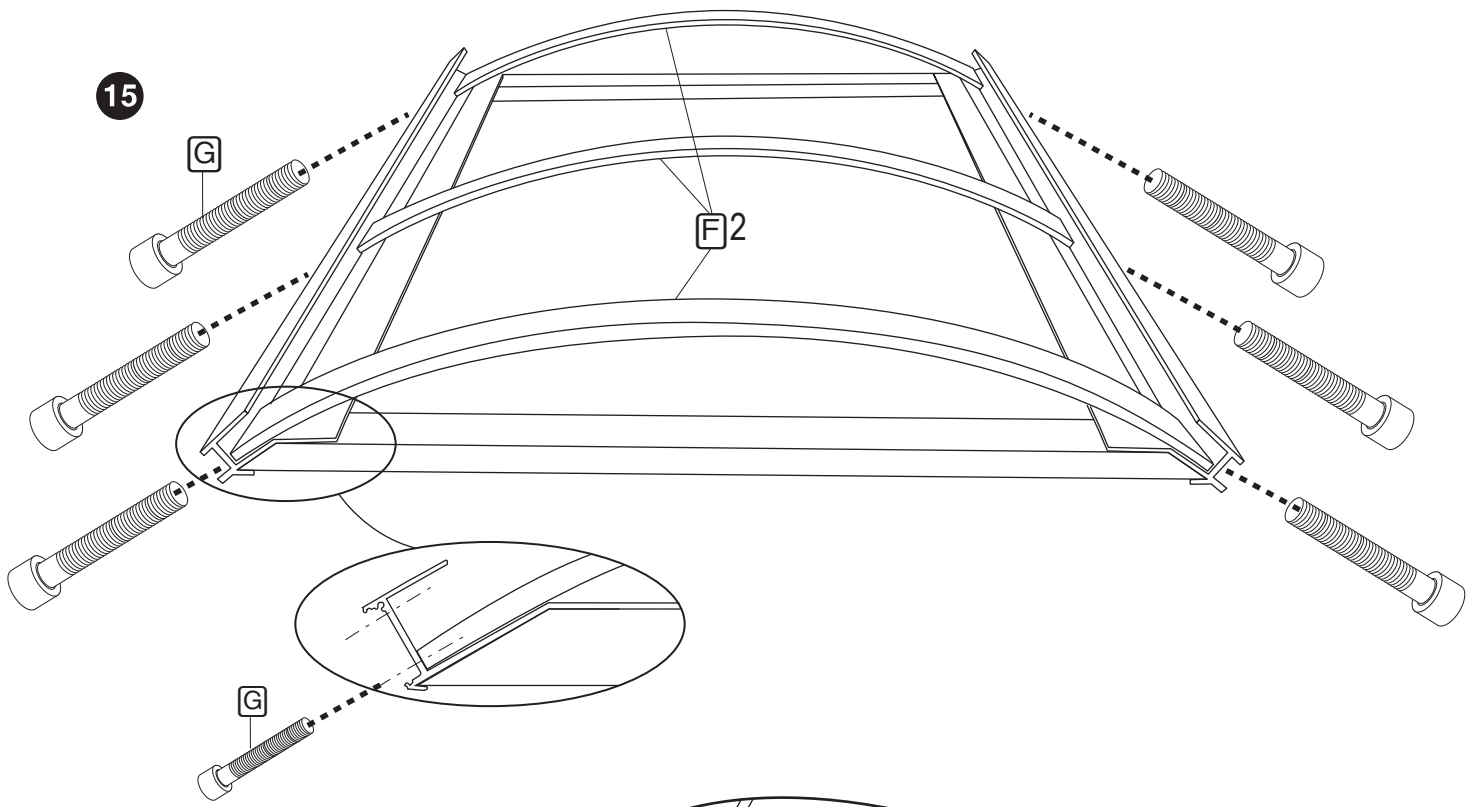


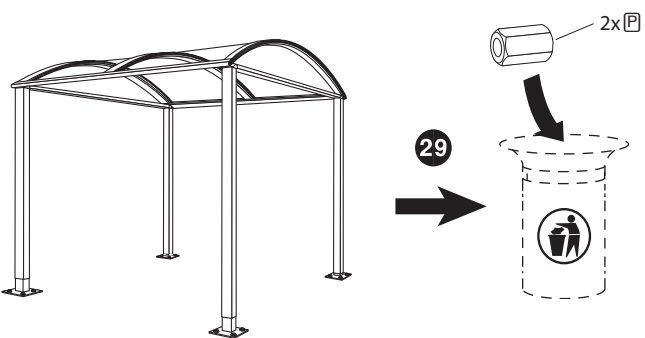
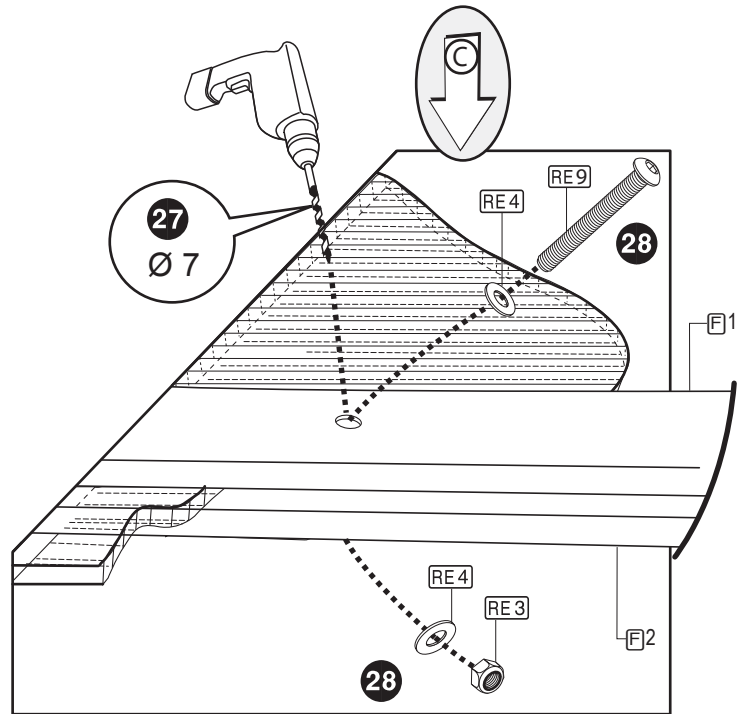
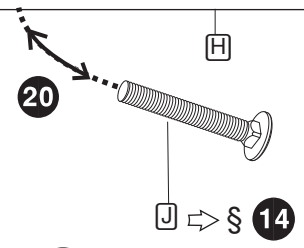
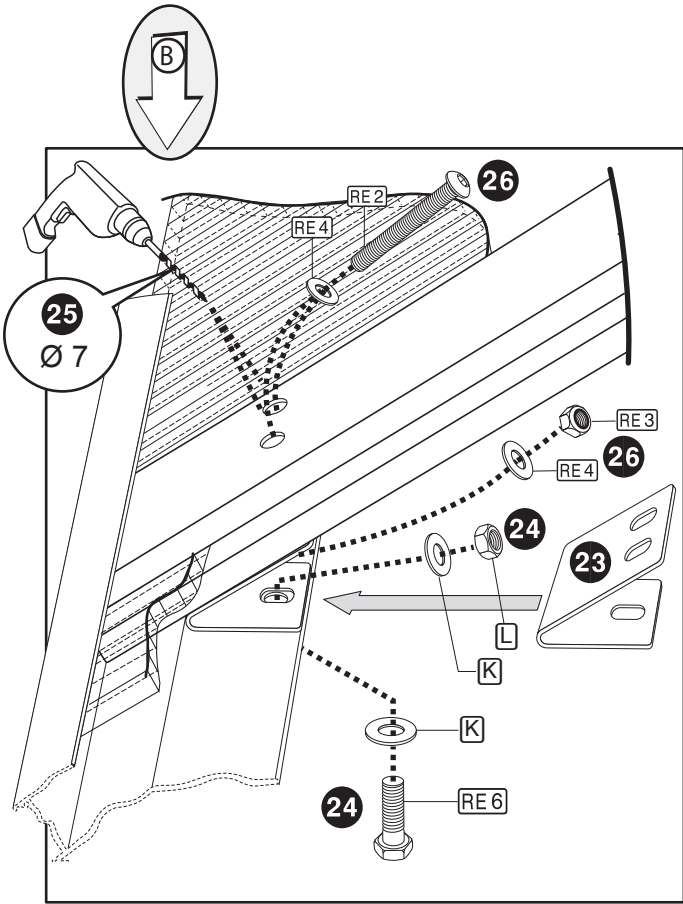
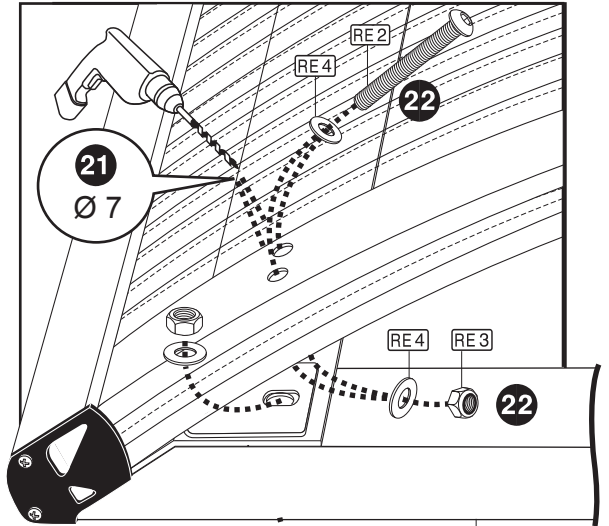
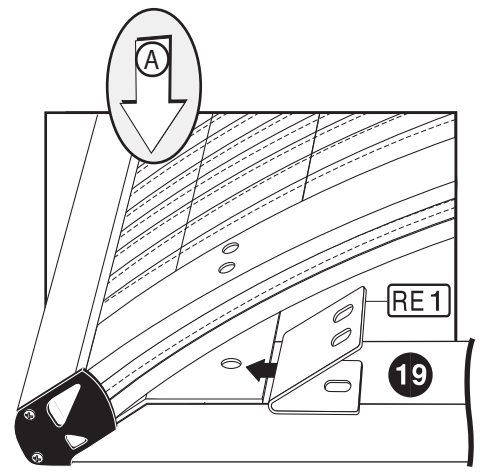
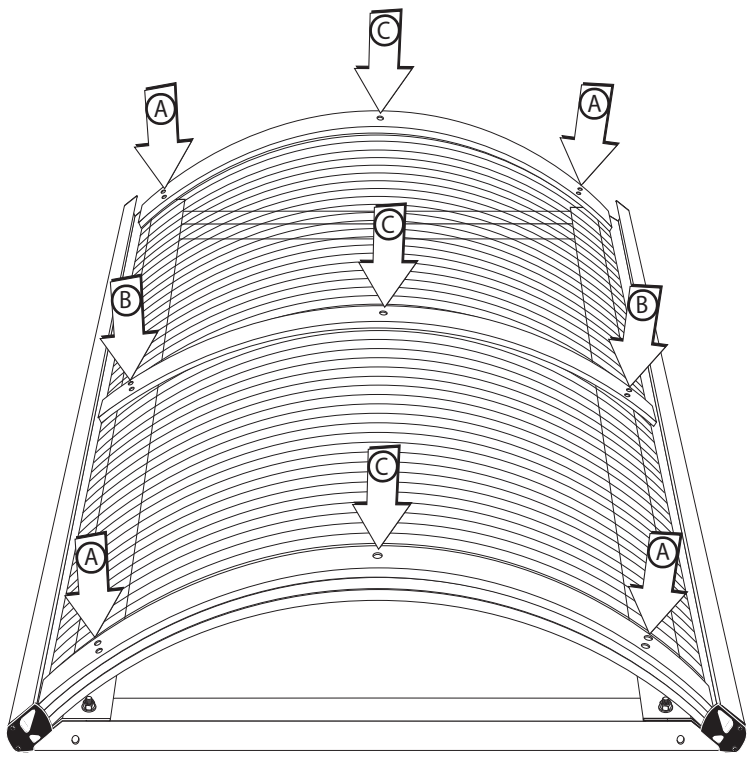
X+A





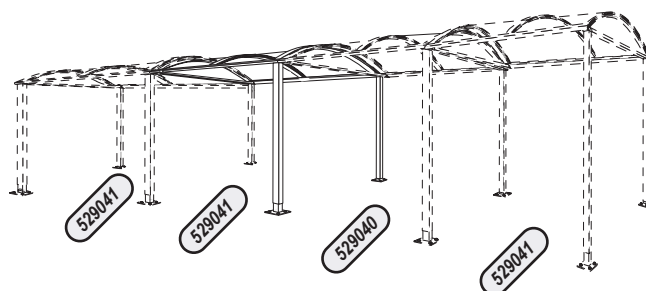
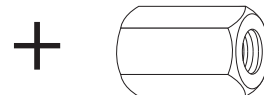
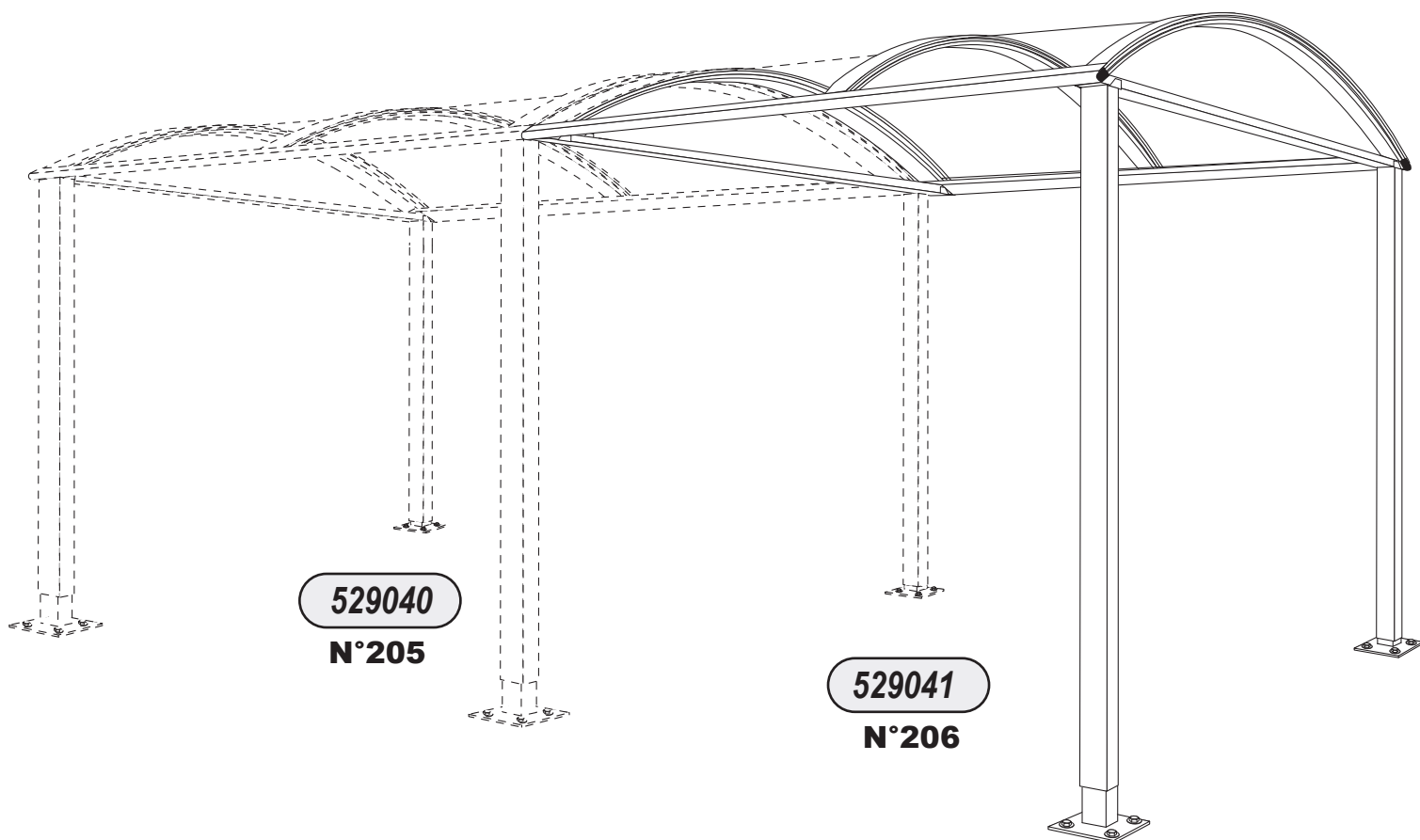


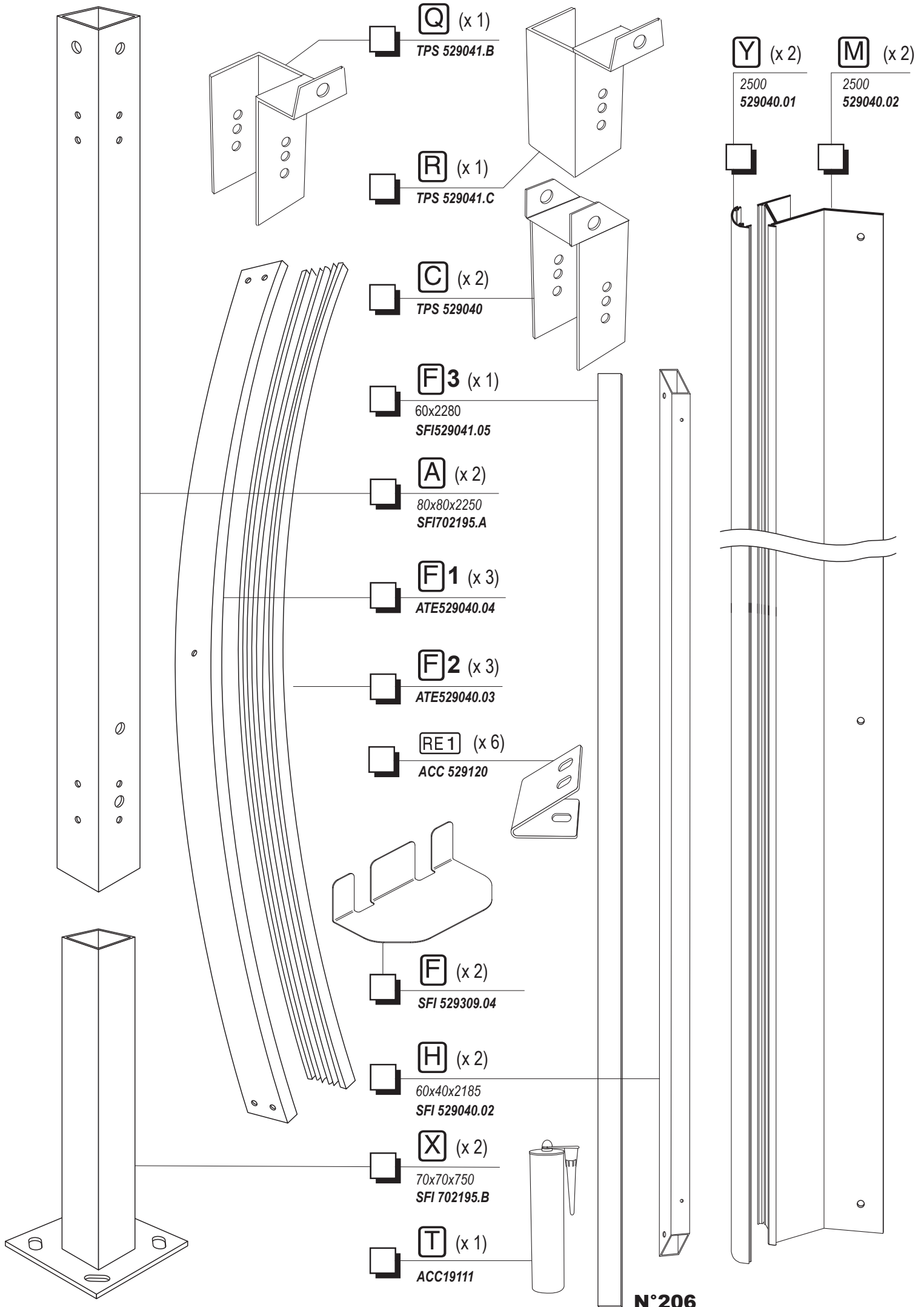


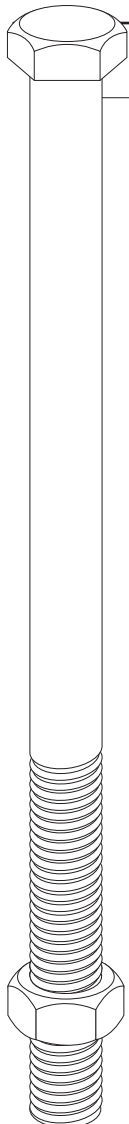


ABRI VOÛTE COMPLEMENTAIRE - 2580x2170

Référence 529041





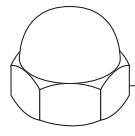


S (x 2)

HM 10 x 150
ACC 02157

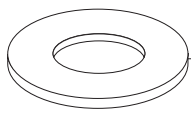
U (x 2)

HM 10 x 100
ACC 02194



B2 (x 2)

H M10 - ACC 05013

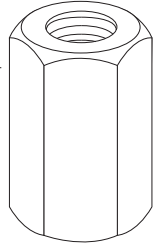


E (x 8)

M 10 - ACC 18143

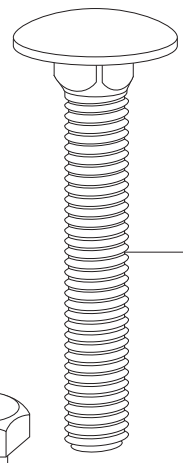
P (x 1)

M10
ACC13020



N (x 4)

BHC M8 x 80
ACC 02144

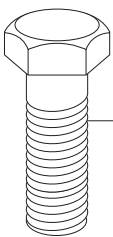


J (x 4)

M8 x 55
ACC 22325

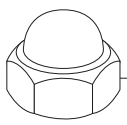
G (x 12)

CHC M8 x 35
ACC 22362



RE 6 (x 2)

H M8 x 20
ACC 22273

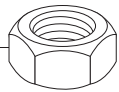


O (x 4)

HFr M8
ACC 04986

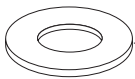
L (x 6)

H M8
ACC 05012



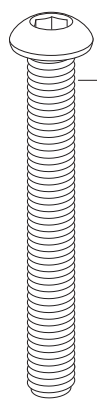
K (x 12)

M 8 ACC 18145



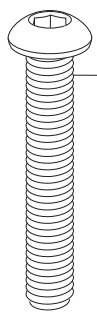
RE 2 (x 12)

BHC M6 x 45
ACC 22227



RE 9 (x 3)

BHC M6 x 40
ACC 22035



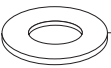
RE 3 (x 15)

HFr M6
ACC 05019



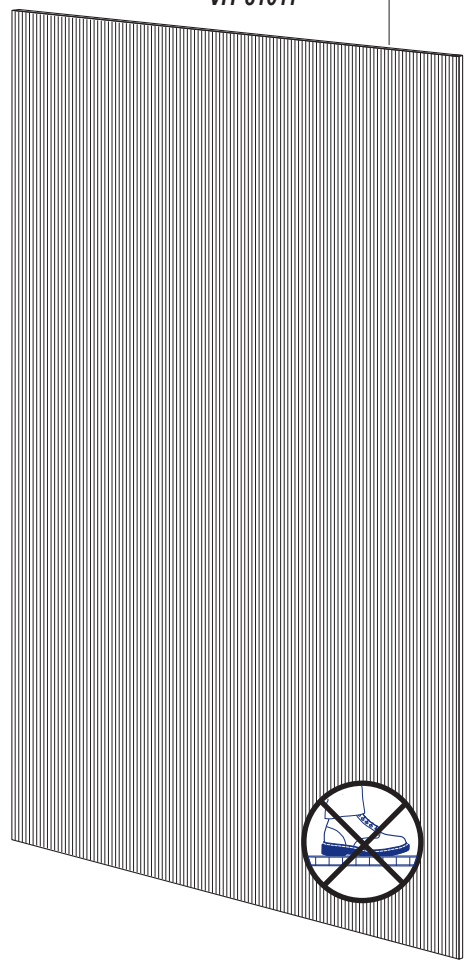
RE 4 (x 30)

L 6 - ACC 18081



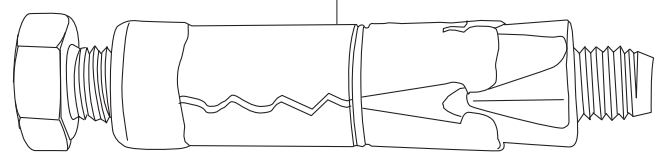
I (x 2)

h 1245 x 2300
VIT 81011



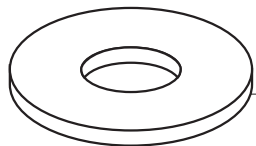
W1 (x 8)

M12 ACC 03322



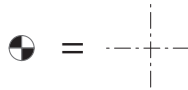
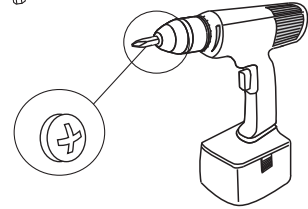
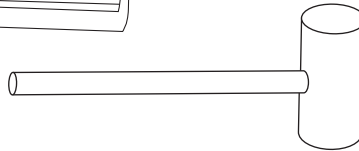
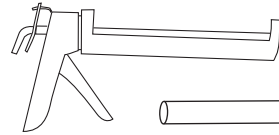
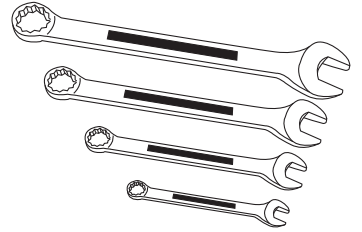
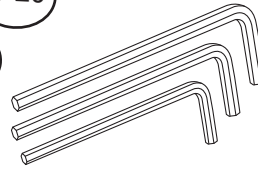
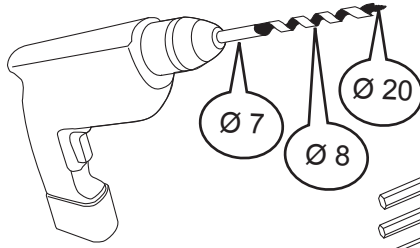
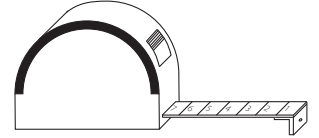
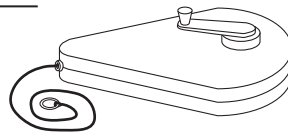
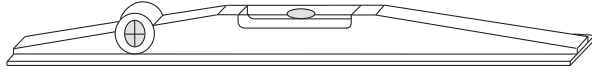
W2 (x 8)

LL 12 ACC 18130

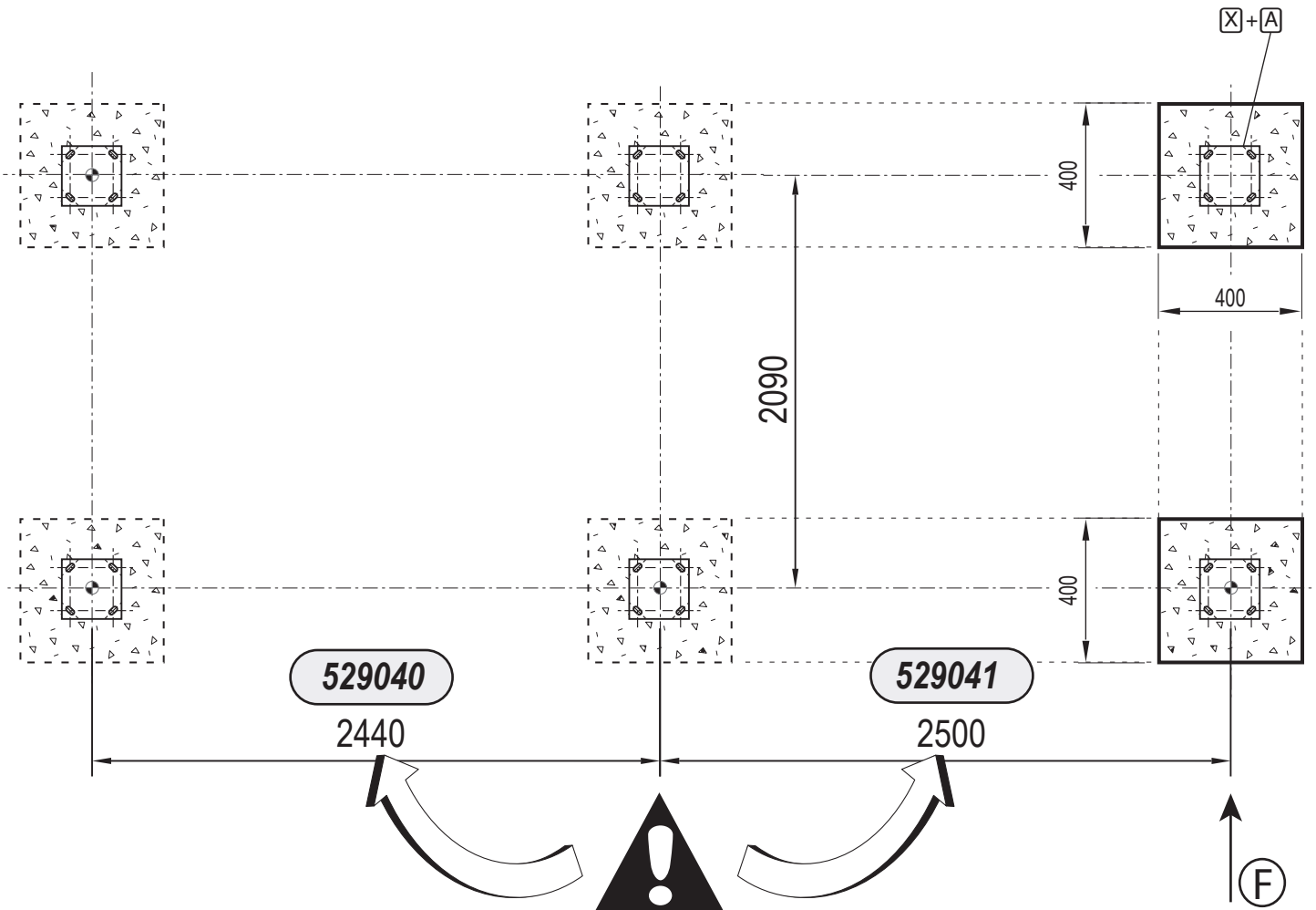
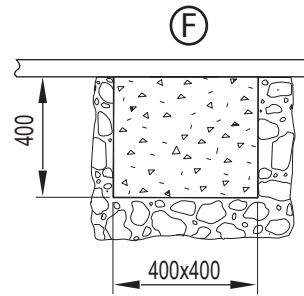


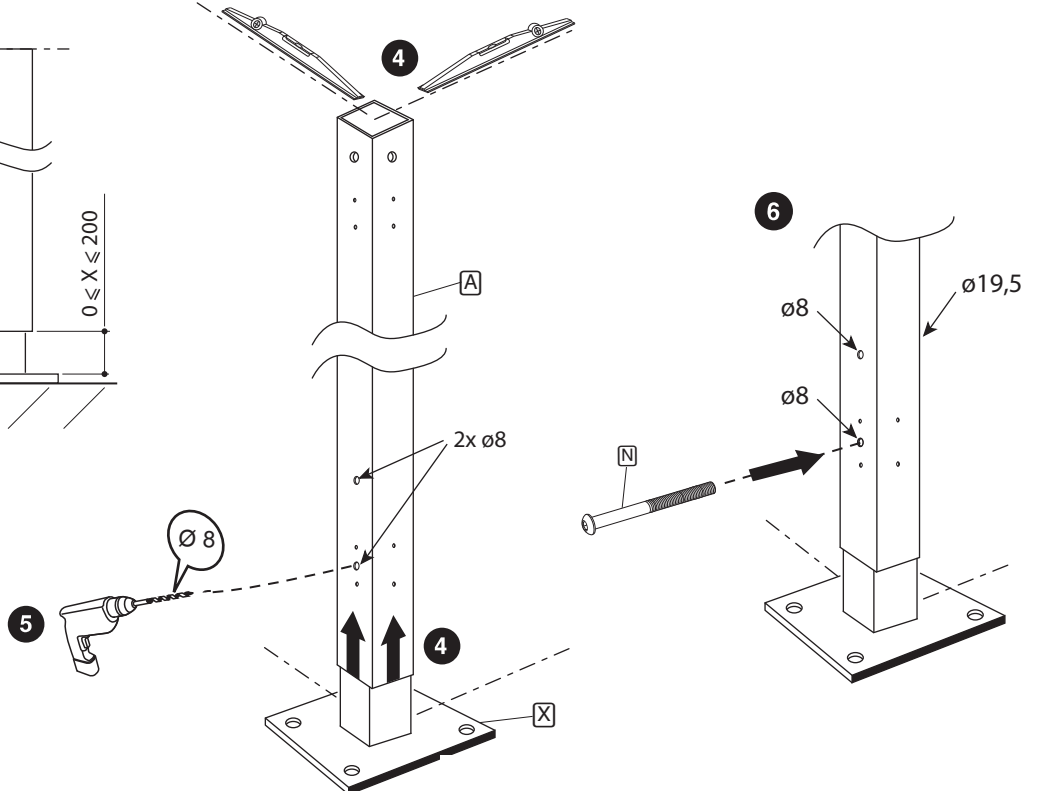
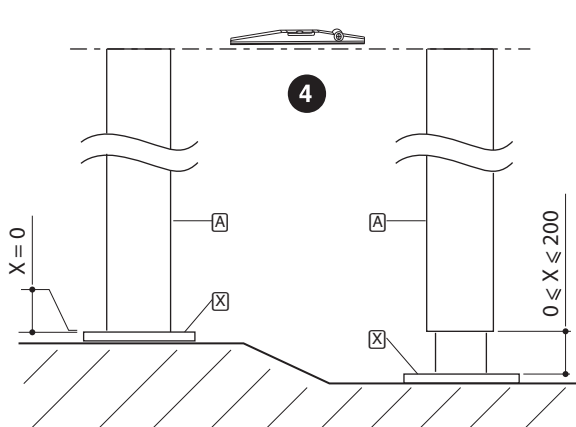
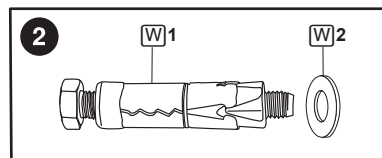
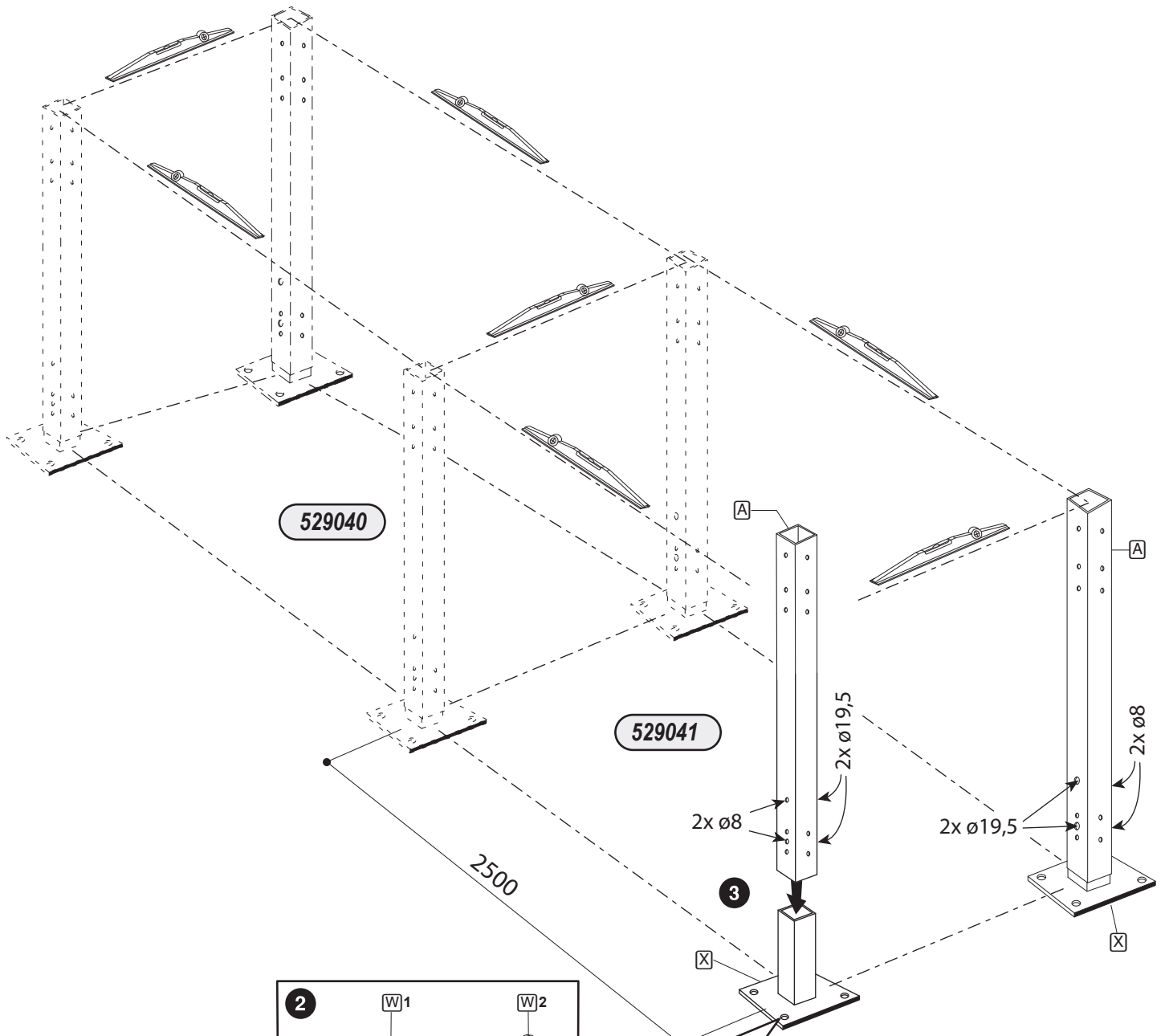
Procity = (x0)

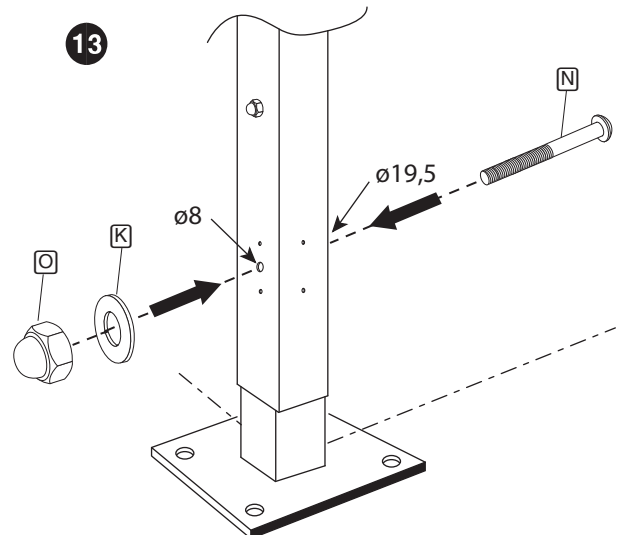
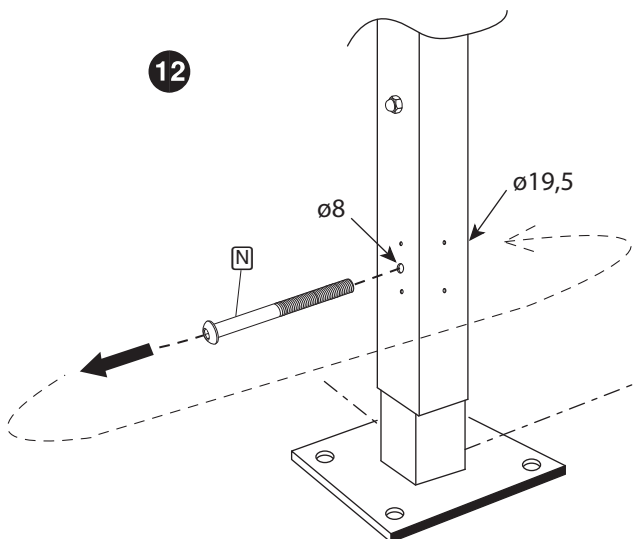
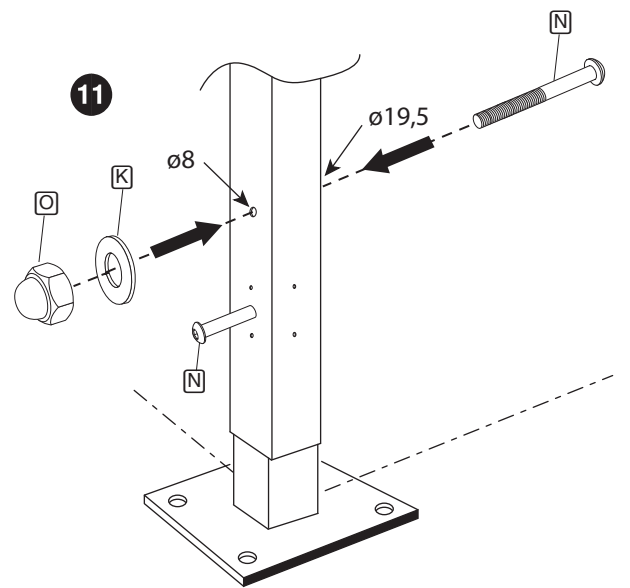
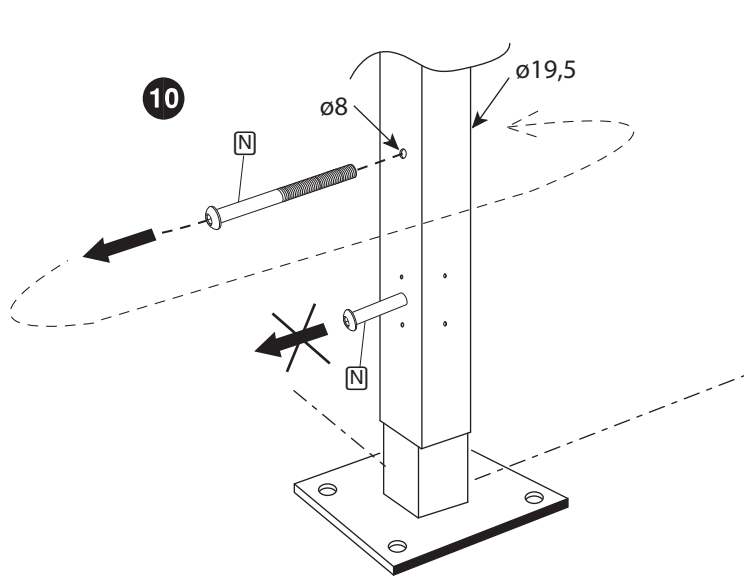
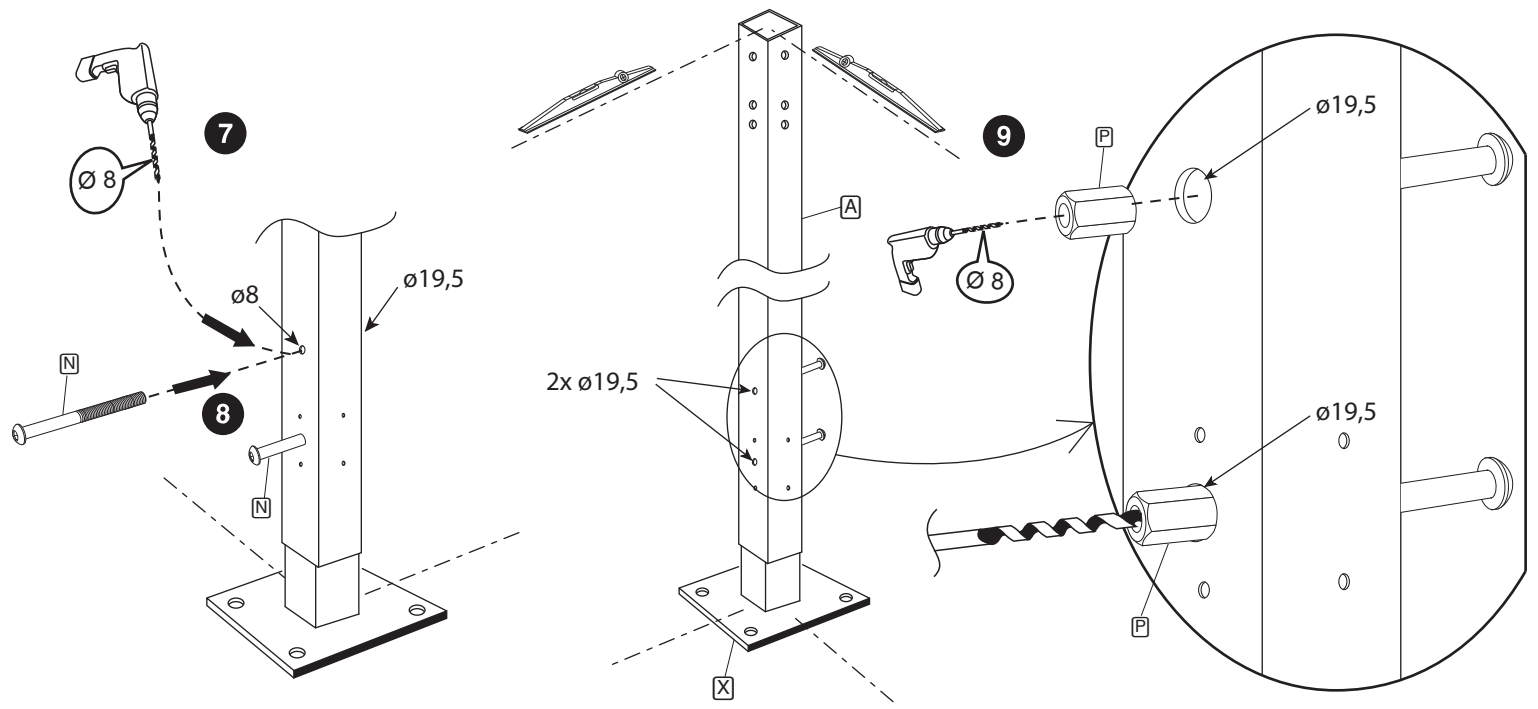
x2

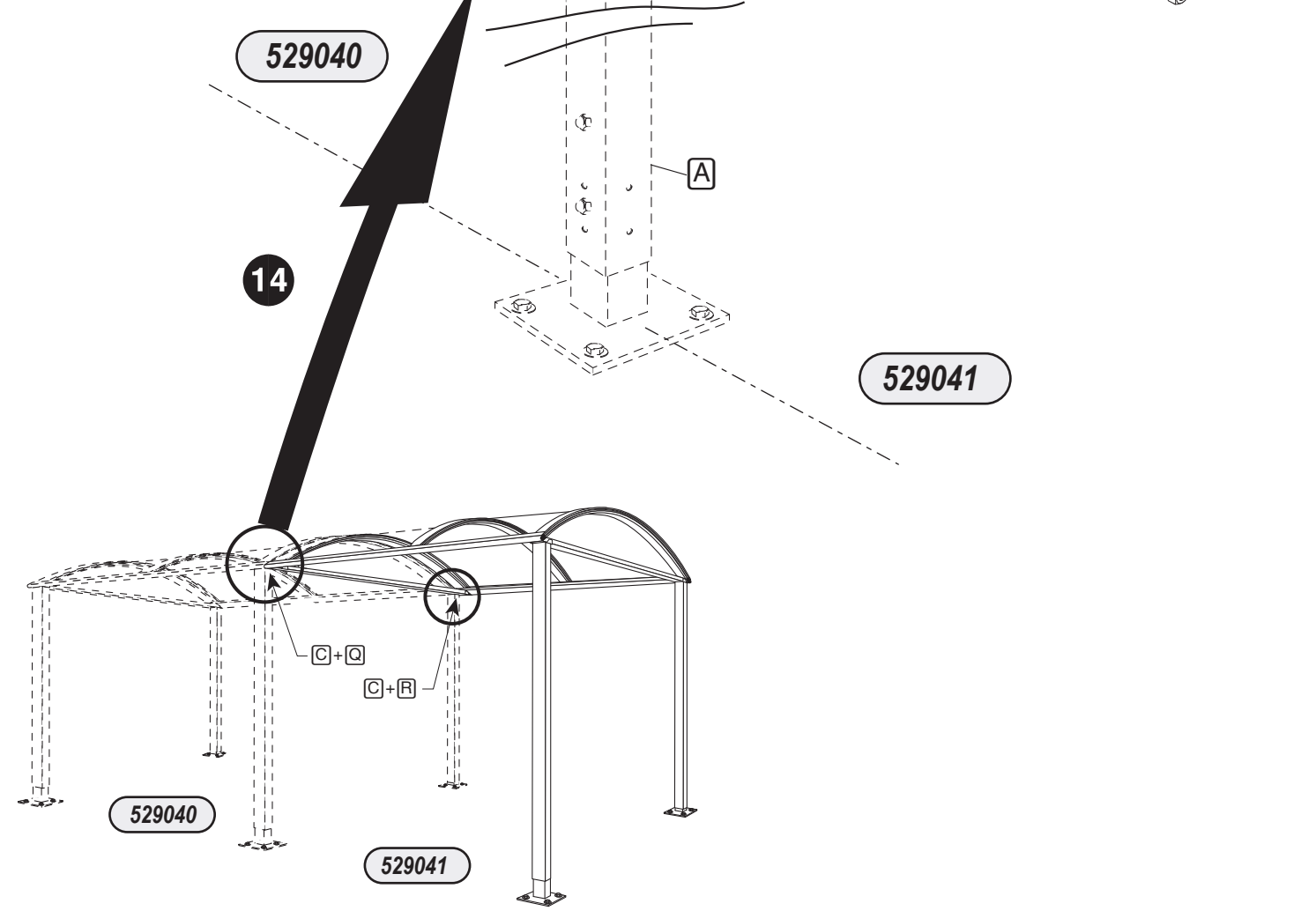
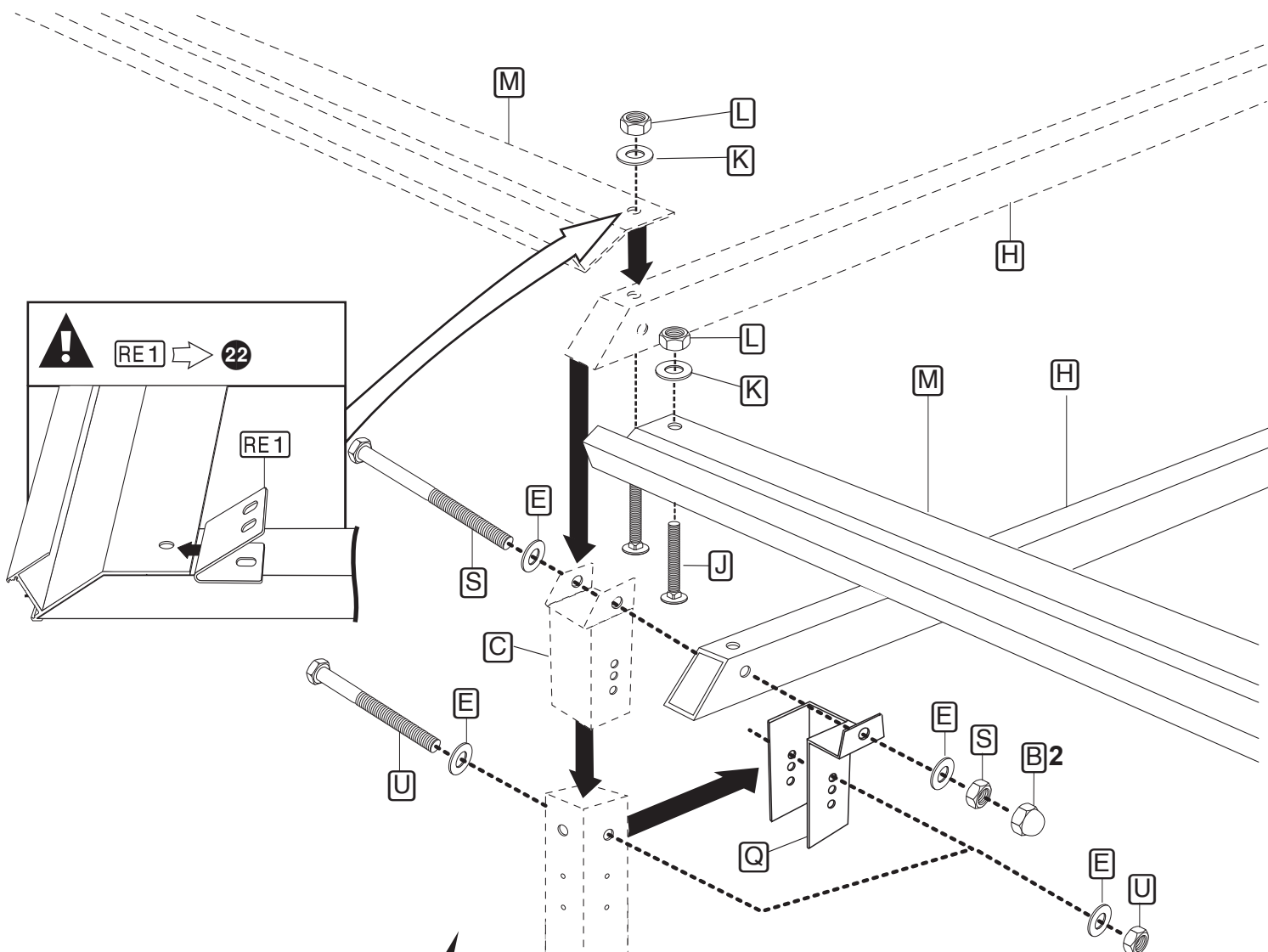


1









RE1

22

RE1

529040

14

C+Q

C+R

529040

529041

529041

M

L

K

H

L

K

M

H

E

S

C

J

U

E

E

S

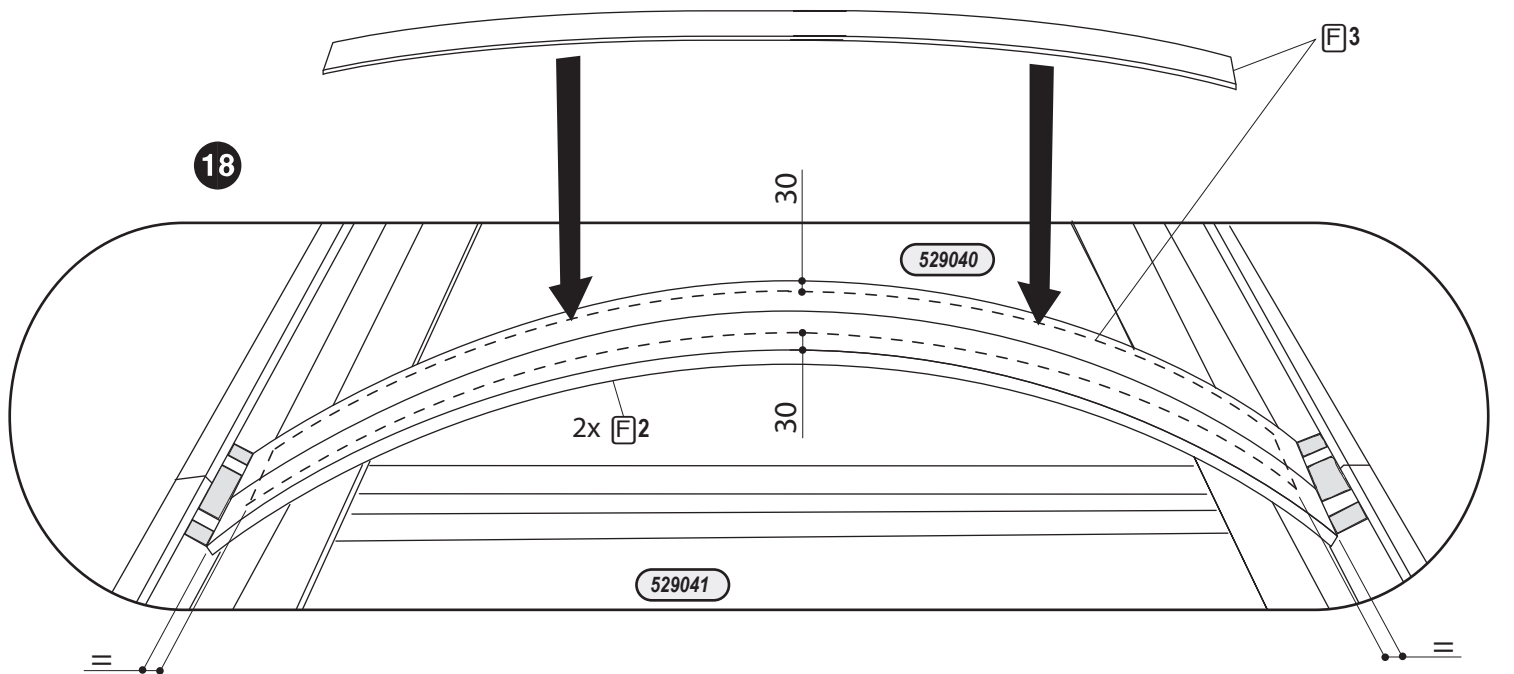
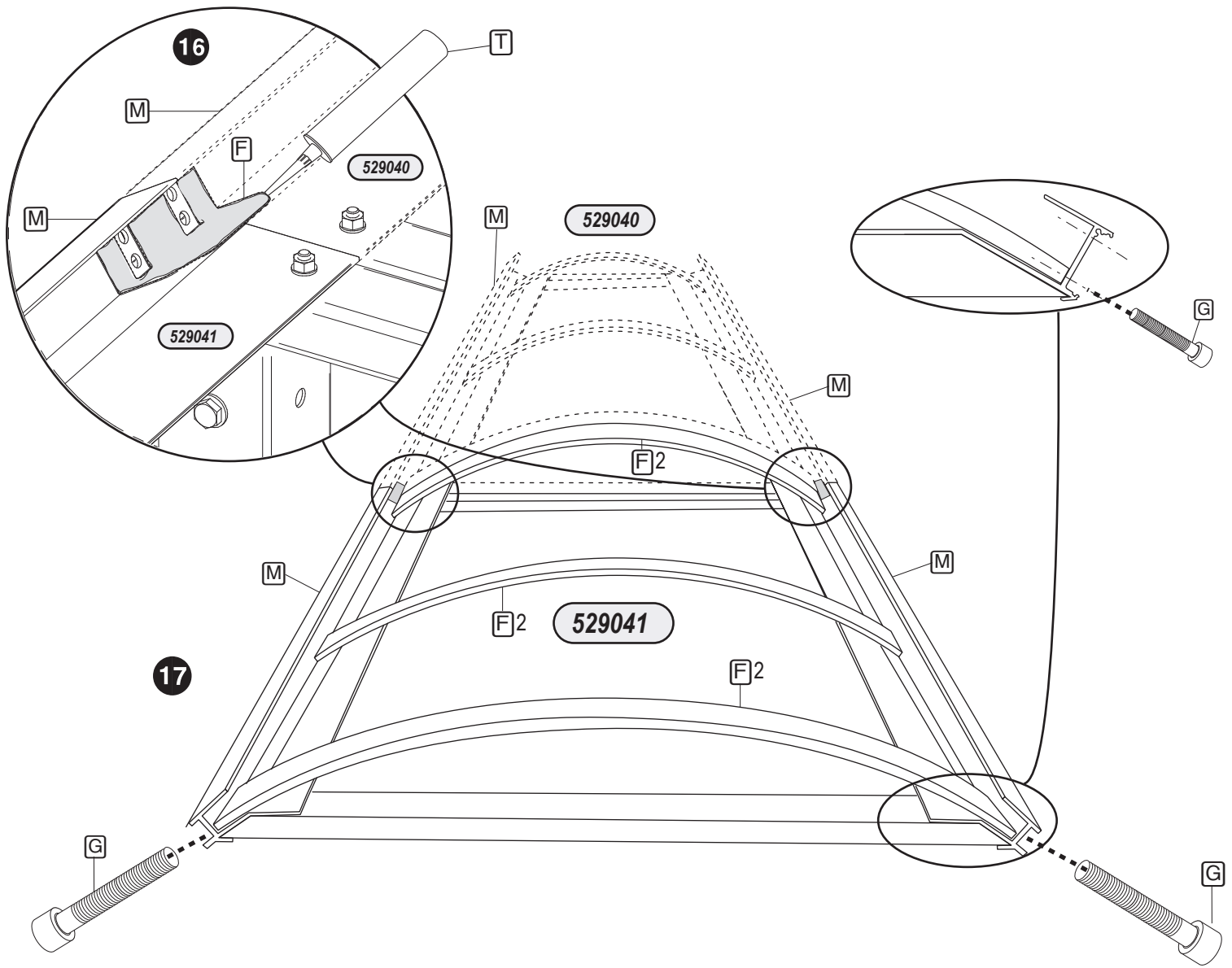
B2

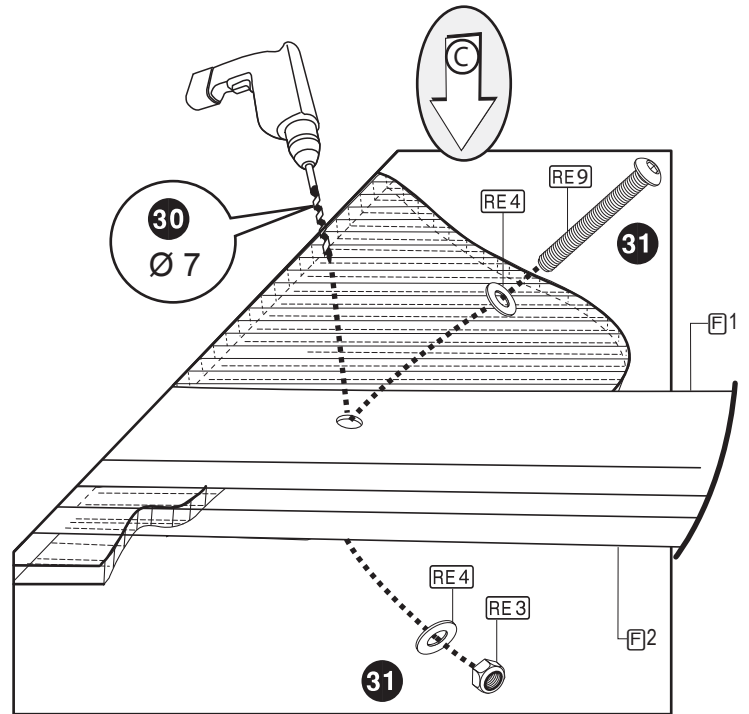
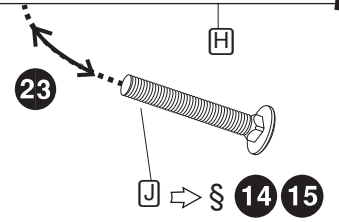
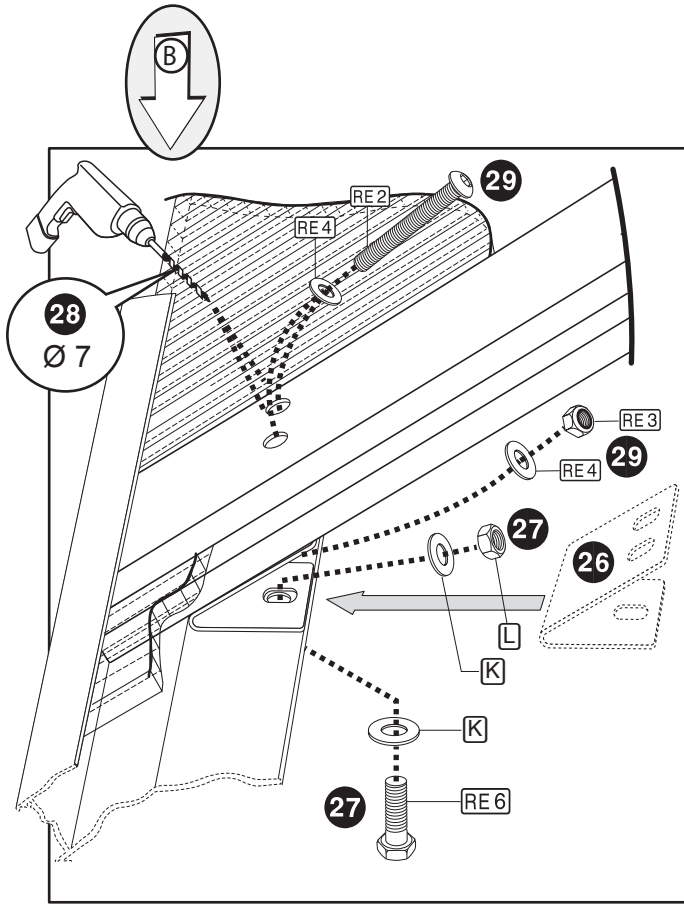
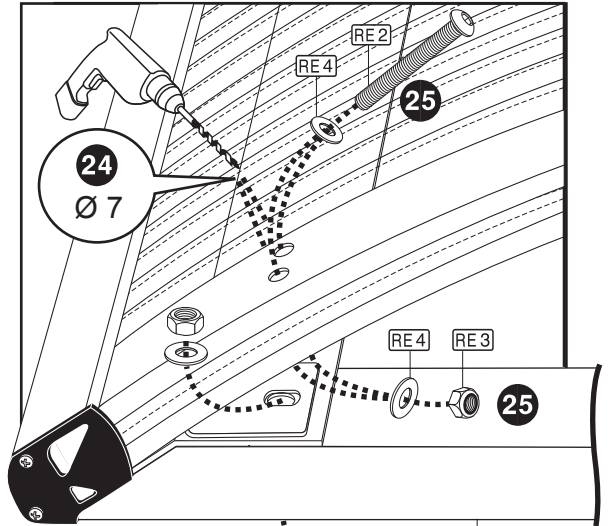
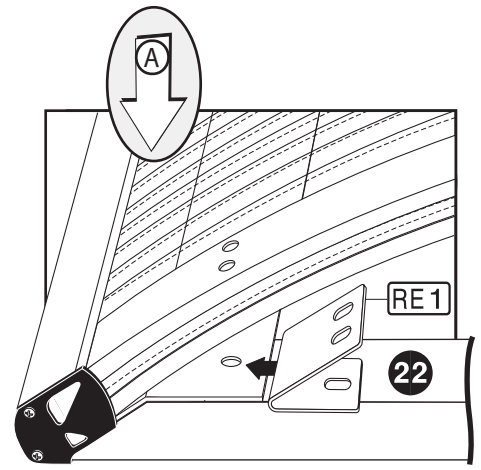
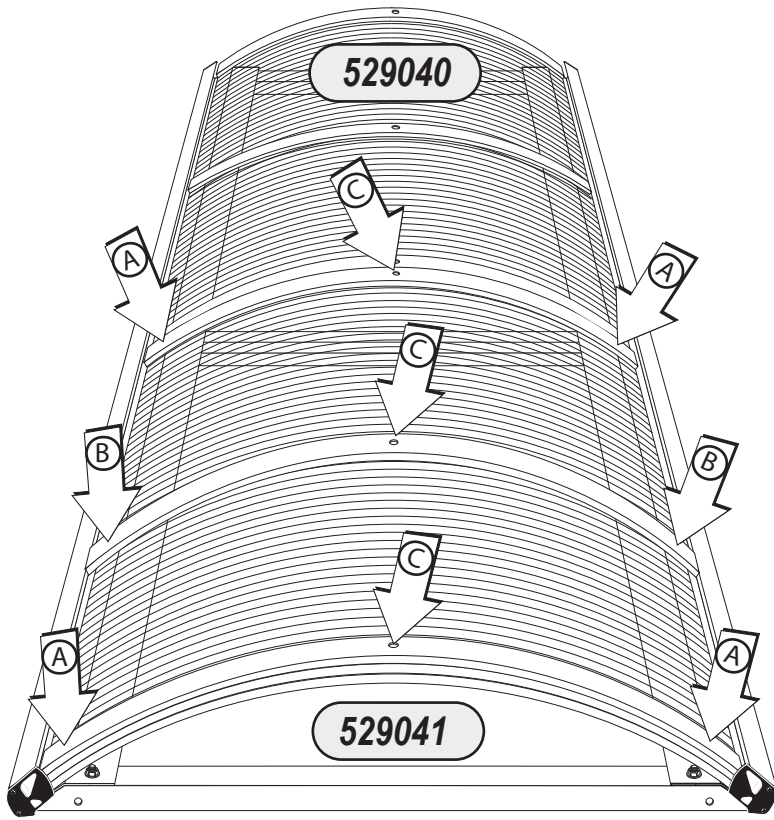
Q

E

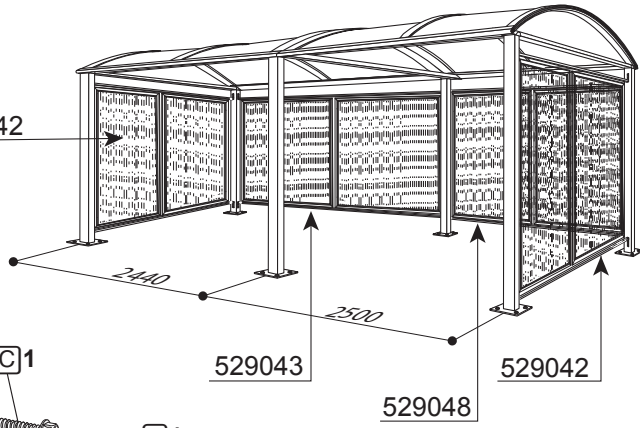
U

A



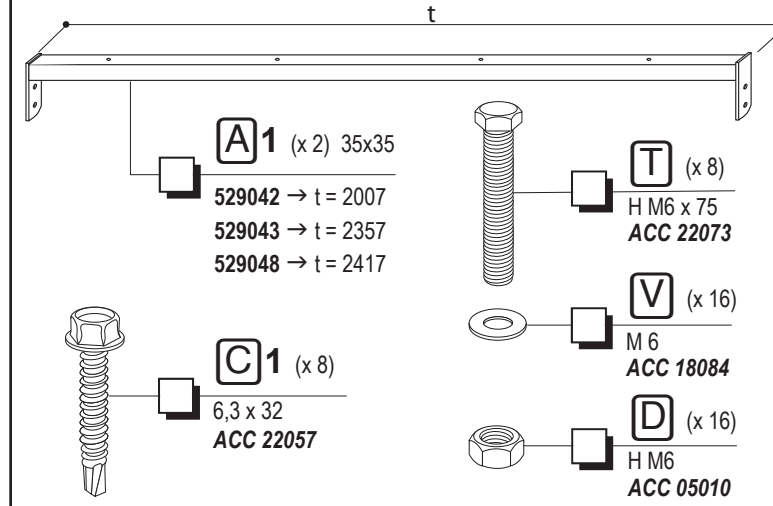


529042



529043

529048



1740

b

Z1 (x 2)

529042 → b = 959
529043 → b = 1150
529048 → b = 1150

